

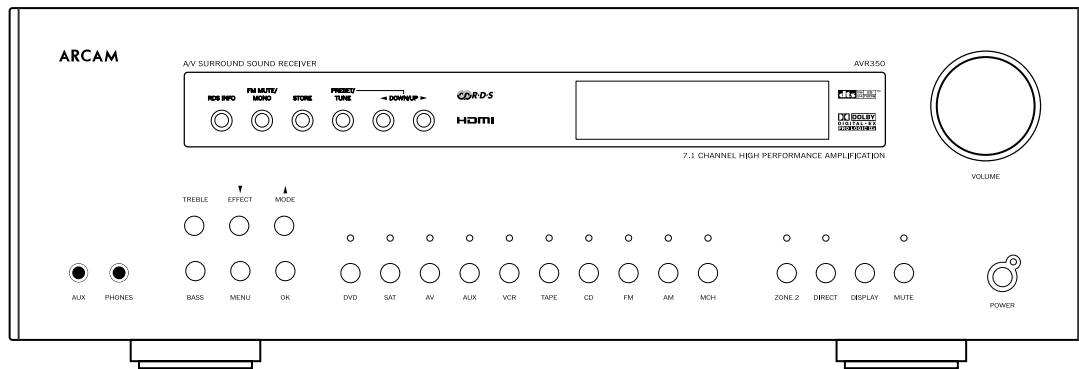
ARCAM

SERVICE MANUAL

v1.0

AVR350

SURROUND SOUND RECEIVER



CONTENTS

Page

DISASSEMBLY INSTRUCTIONS	2
ADJUSTMENT POINTS DIAGRAM	3-5
INSTRUMENT SETUP	6
ALIGNMENT PROCEDURES	6-8
IMPORTANT NOTES	9-10
WIRING DIAGRAM	11
PCB LAYOUT	12-30
SCHEMATIC DIAGRAM	31-44
IC BLOCK DIAGRAM	45-57
ELECTRICAL PARTS LIST	58-110
EXPLODED VIEW	111
EXPLODED VIEW PARTS LIST	112-117

DISASSEMBLY INSTRUCTIONS

1. Remove machine screws M 4.0 x 6.0 (① to ⑥) from the side panels.
Remove tapping screw 3.0 x 8.5 (⑦) from the back panel.
Refer to Figure No.1.

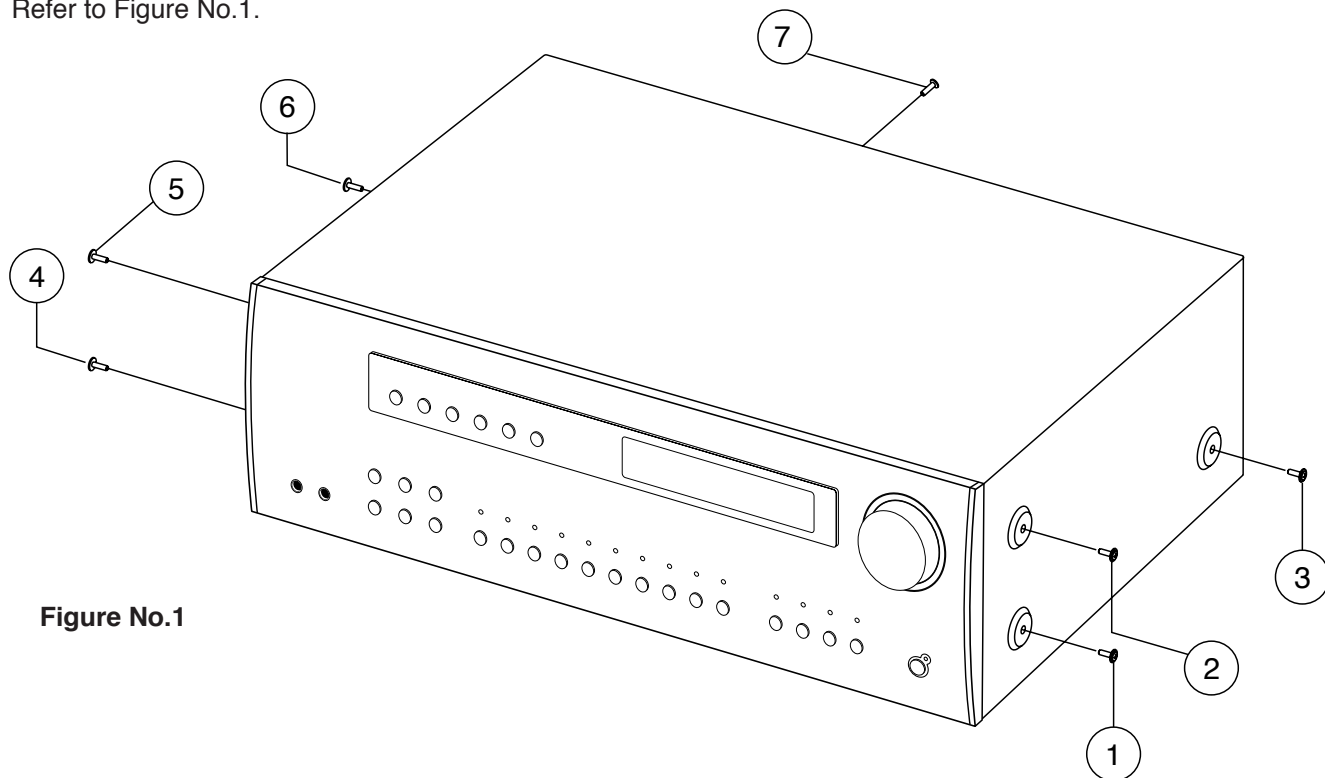


Figure No.1

2. Pull both sides of the TOP COVER slightly outwards (⑧) and tilt approx. 35° and then remove in the direction as indicated by the arrow (⑨). Refer to Figure No.2.

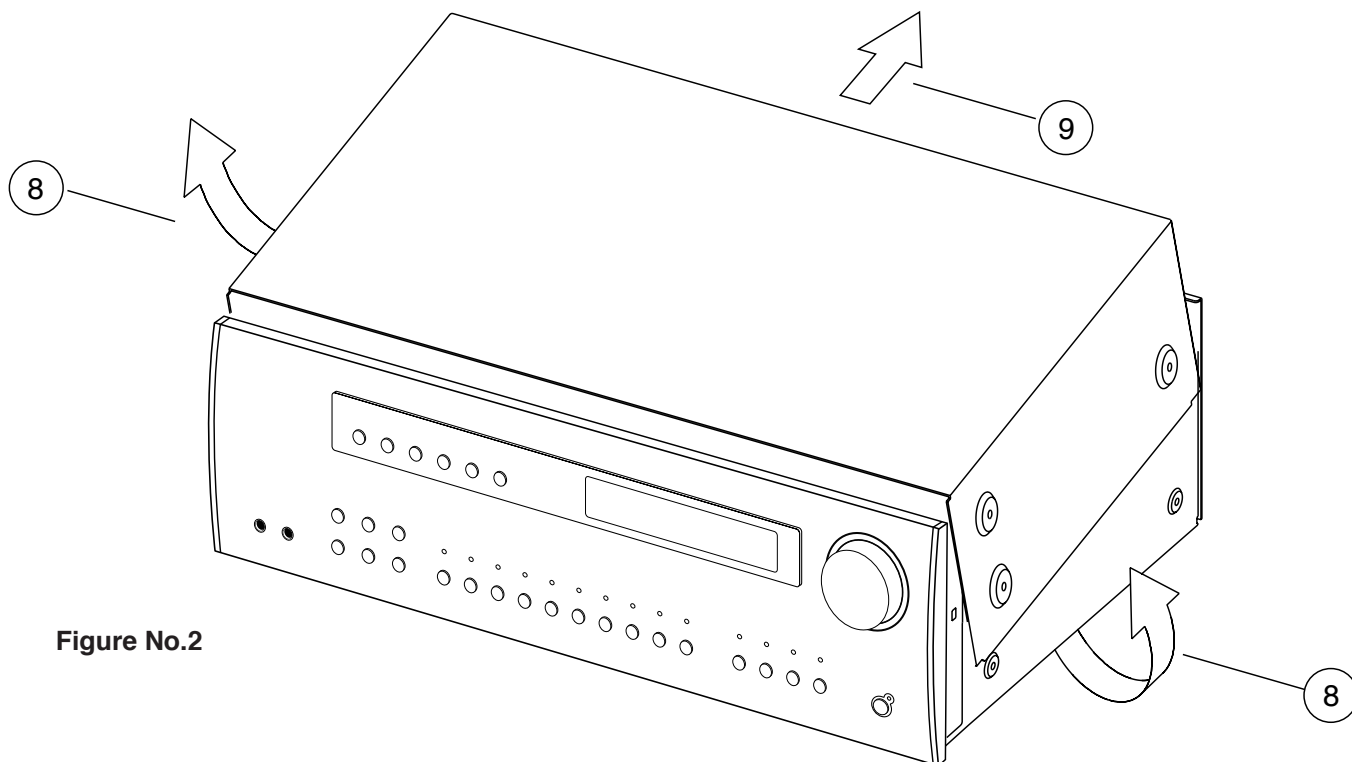
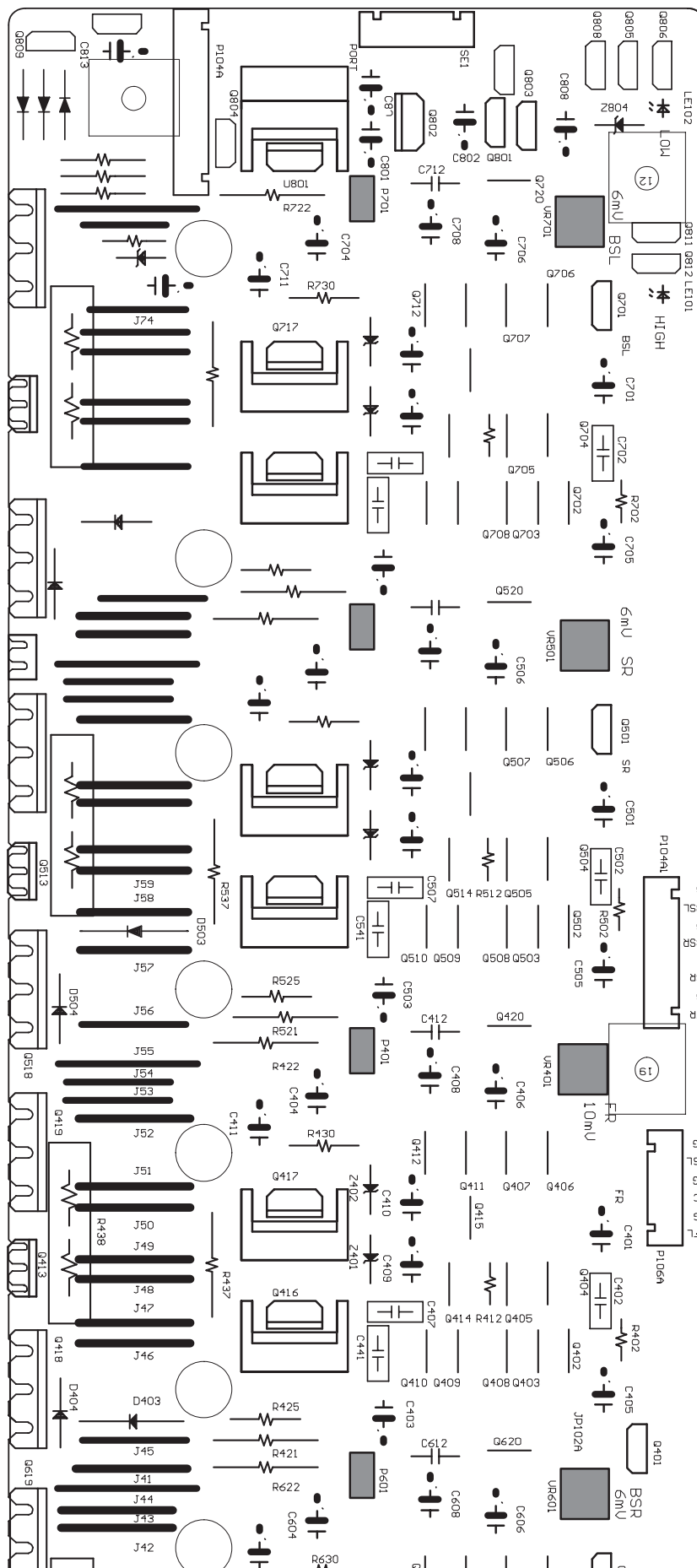


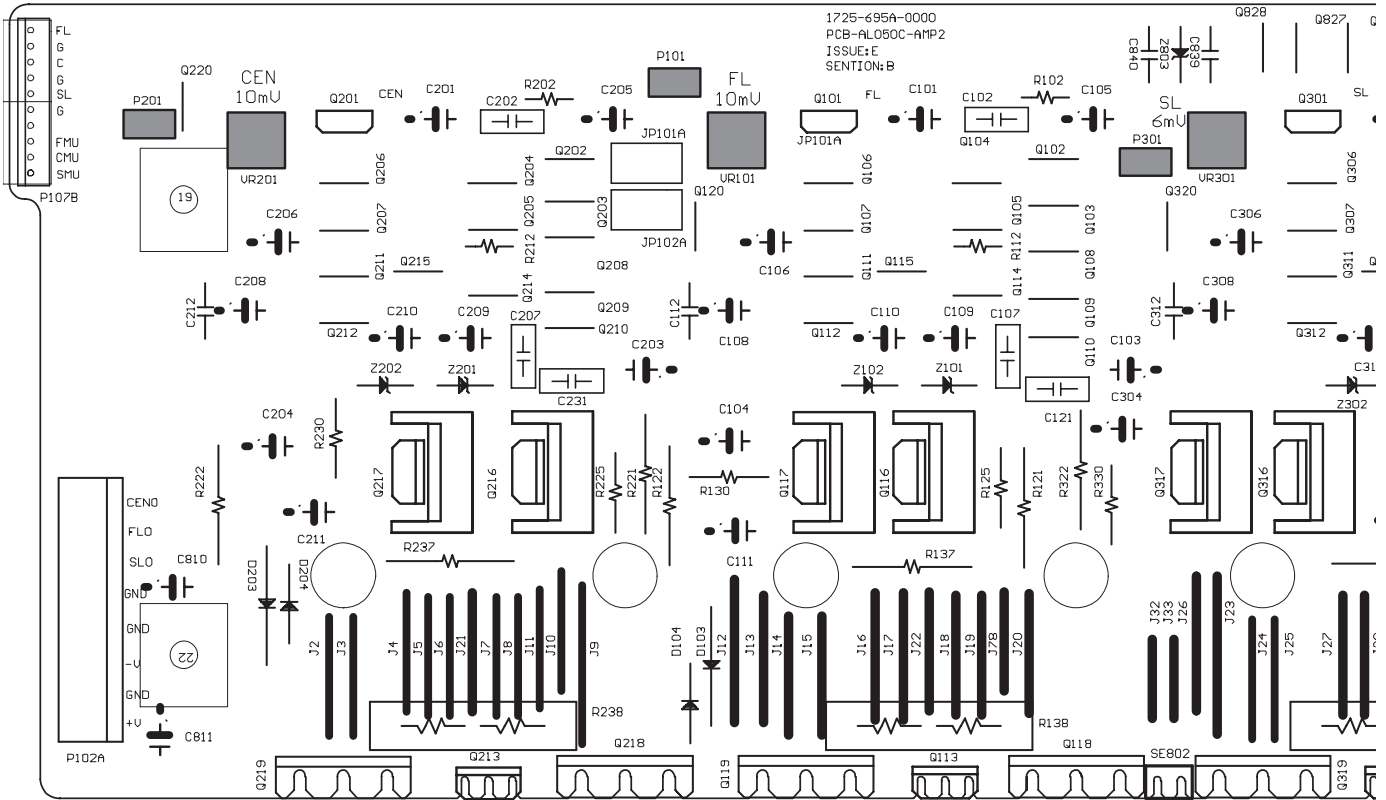
Figure No.2

ADJUSTMENT POINTS DIAGRAM

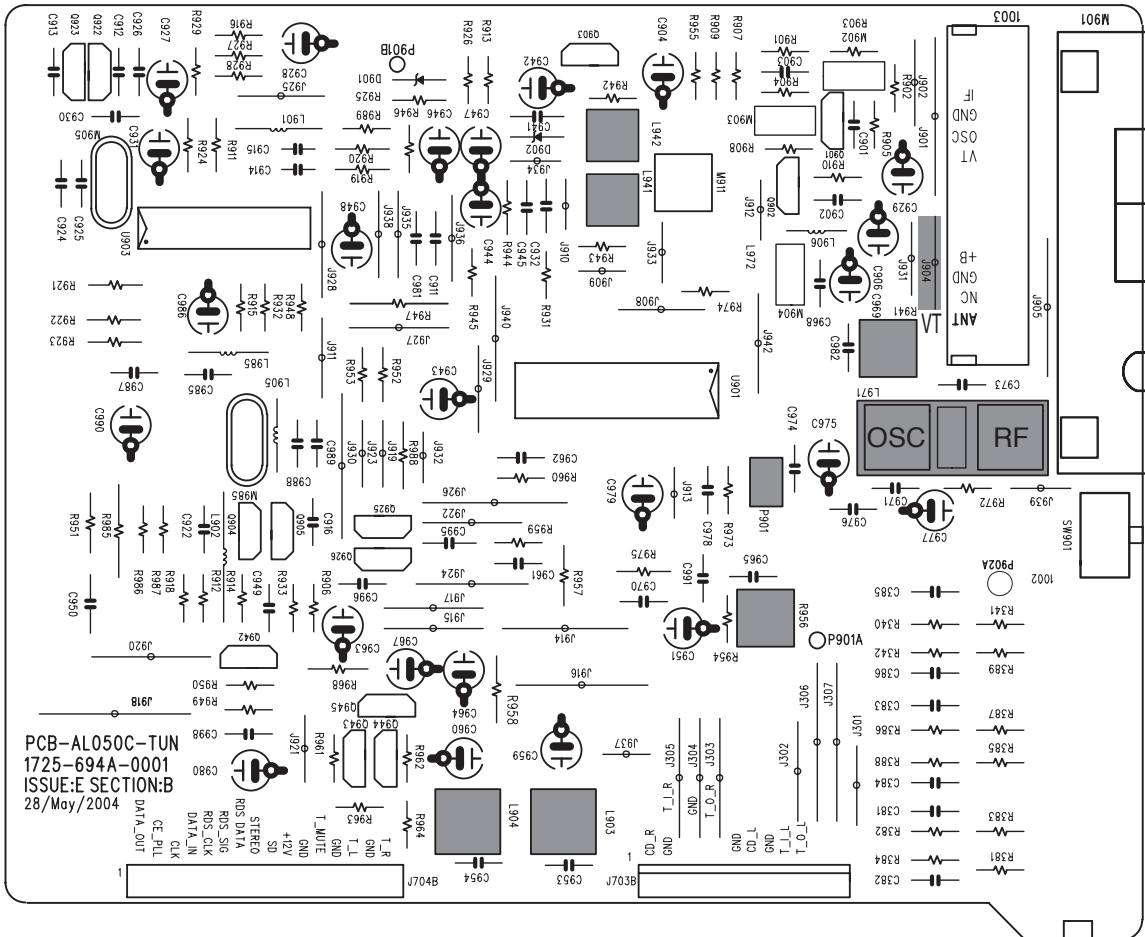
AMP1 board



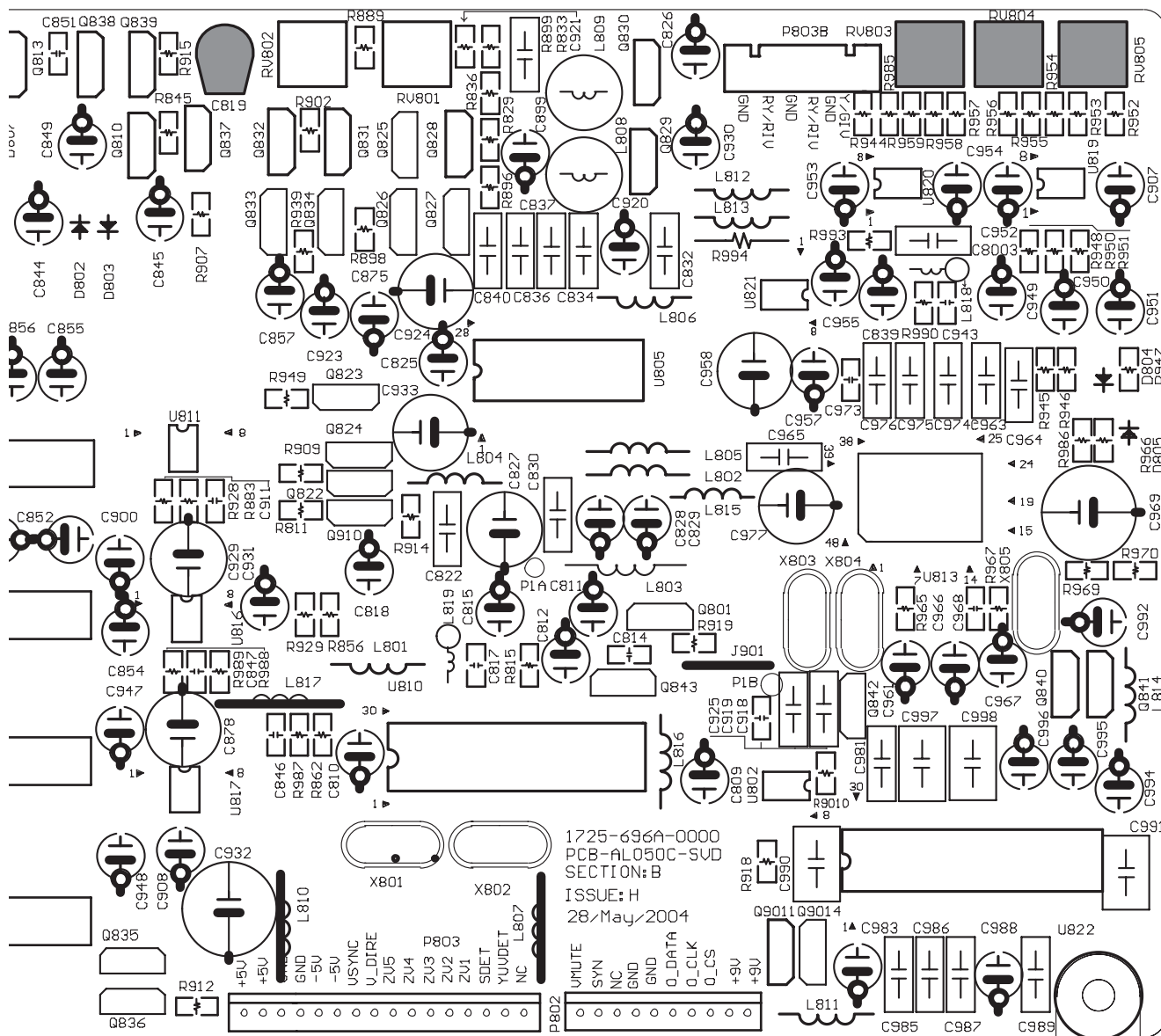
AMP2 board



TUNER board



VIDEO board



INSTRUMENT SETUP

1. FM MEASUREMENT

Fig. 1

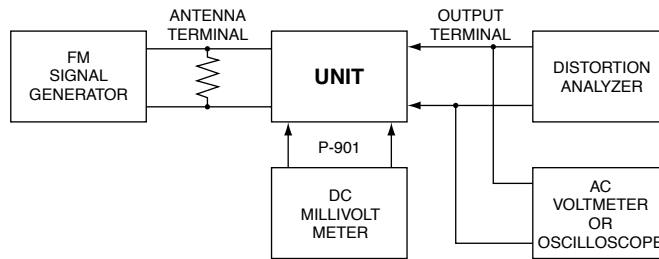
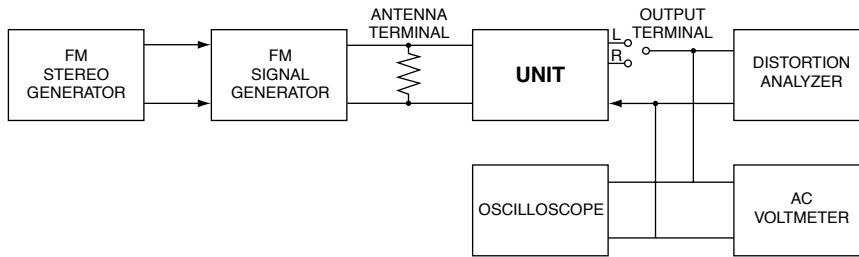
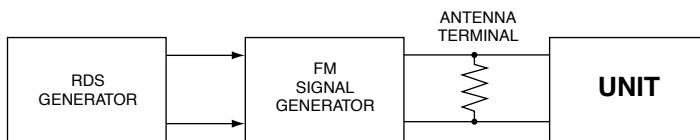


Fig. 2



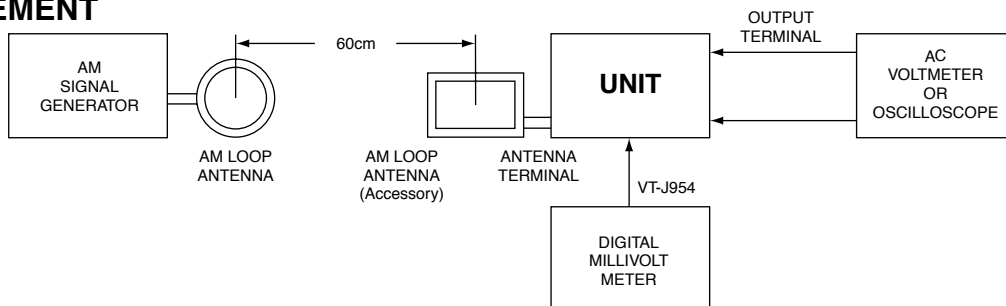
2. RDS MEASUREMENT

Fig. 3



3. AM MEASUREMENT

Fig. 4



ALIGNMENT PROCEDURES

AMPLIFIER SECTION

Idle Current: Volume at min value, at 8 ohm and 10 min burn in

Step	Item	Connection	Adjustment	Adjust for
1	FL Channel	Voltmeter to P101 on AMP2 Board	VR101	10mV±2mV
2	FR Channel	Voltmeter to P401 on AMP1 Board	VR401	10mV±2mV
3	C Channel	Voltmeter to P201 on AMP2 Board	VR201	10mV±2mV
4	SL Channel	Voltmeter to P301 on AMP2 Board	VR301	6mV±1.5mV
5	SR Channel	Voltmeter to P501 on AMP1 Board	VR501	6mV±1.5mV
6	BSL Channel	Voltmeter to P701 on AMP1 Board	VR701	6mV±1.5mV
7	BSR Channel	Voltmeter to P601 on AMP1 Board	VR601	6mV±1.5mV

FM/RDS SECTION

- FM mono: 1kHz, 75kHz devi., 60dB/μV
- FM stereo: 1kHz, 67.5kHz devi., 60dB/μV
- Pilot signal 19kHz 7.5kHz devi.

OUTPUTS

- Connect the non-inductive type resistor of 8 ohms to the all speaker terminals unless otherwise noted.

Item	Step	Connection of instrument	FM SG output	Stereo modulator output	Tuning frequency	Output indicator	Adjustment point	Adjust for	Remarks
FM IF/RF	1	Fig.1	99.0MHz 1kHz 75kHz devi. 66dBf (60dB)	—	99.0MHz	DC voltmeter	L941	0±100mV	FM MUTE/MODE switch: ON/AUTO Repeat the steps 1 to 3 until no further adjustment is necessary.
	2					AC voltmeter	IFT on the front end	Maximum	
	3					Distortion analyzer	L942	Minimum	
Stereo Distortion		Fig.2	99.0MHz Ext. mod. 66dBf (60dB)	Channel L or R 1kHz	99.0MHz	Distortion analyzer	IFT on the front end	Minimum	FM MUTE/MODE switch: ON/AUTO. Don't turn more than +/-180°.
Stereo Separation		Fig.2	99.0MHz Ext. mod. 66dBf (60dB)	Channel L or R 1kHz	99.0MHz	Oscilloscope	R956	Maximum Separation	Repeat stereo distortion and stereo separation alignment until THD at minimum and separation at maximum.
Muting Level		Fig.1	99.0MHz 22dB	—	99.0MHz	Oscilloscope	R941	Signal output	
RDS		Fig.3	99.0MHz Ext. mod. 66dBf (60dB) RDS 4% MOD	—	99.0MHz	—	—	—	Decode the RDS Program Station.

AM SECTION

AM Modulation: 400Hz, 30%

For UL Version

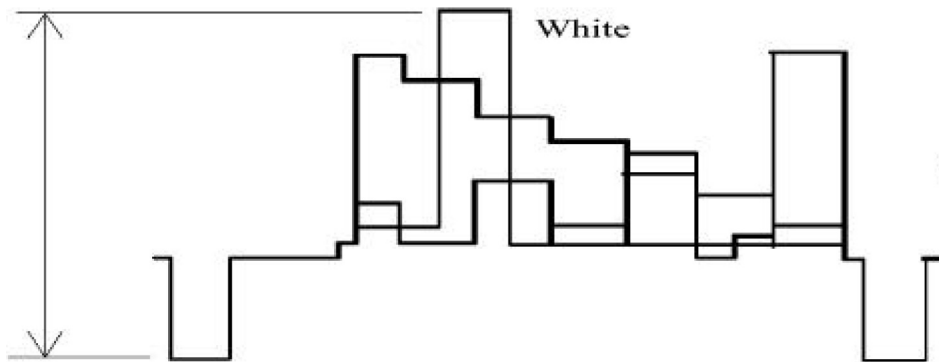
Step	AM SG output	Tuning frequency	Output indicator	Adjustment point	Adjust for
1	—	530kHz	Digital DC voltmeter	QSC coil on RF block M971	1.35±0.2V
2	600kHz 400Hz 30% mod. 60dB/M	600kHz	AC voltmeter	RF coil on RF block M971	Maximum
3	600kHz 400Hz 30% mod. 60dB/M	990kHz	AC voltmeter	L972	Maximum

For CE Version

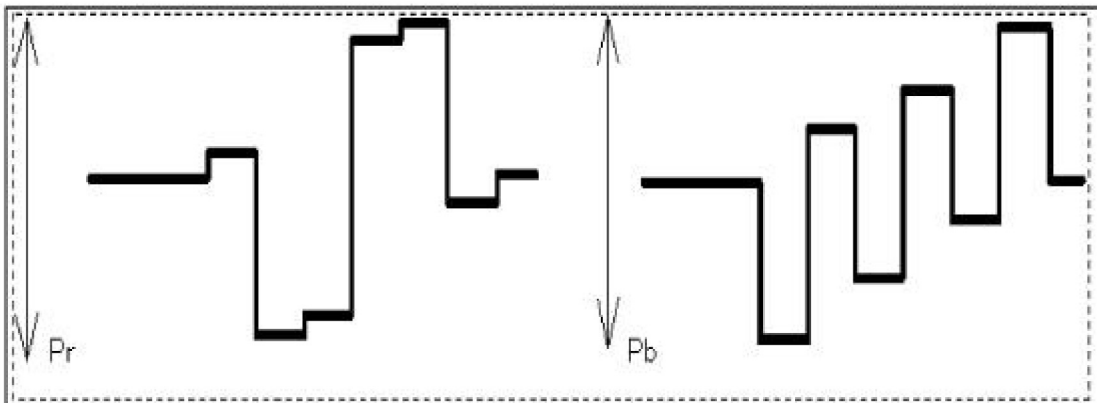
Step	AM SG output	Tuning frequency	Output indicator	Adjustment point	Adjust for
1	—	522kHz or 531kHz	Digital DC voltmeter	QSC coil on RF block M971	1.35±0.2V (531kHz)
2	600kHz 400Hz 30% mod. 60dB/M	603kHz	AC voltmeter	RF coil on RF block M971	Maximum
3	600kHz 400Hz 30% mod. 60dB/M	999kHz	AC voltmeter	L972	Maximum

VIDEO BOARD SECTION

- 1 Required measurement equipment : 100KHz Scope, DVD player
DVD test disc : TDV-540A
- 2 Connect the DVD Player into AVR300 composite Video IN; connect the component Video to TV (or connect 75 ohm loading resistor).
- 3 Play TDV-540A T2-C1 (75% colour-bar UL NTSC / CE PAL).
- 4 Turn RV803 to adjust the component video Y voltage to $1000\pm 75\text{mV}$.



- 5 Turn RV804 to adjust the component video Cb voltage to $550\text{mV}\pm 30\text{mV}$.
- 6 Turn RV805 to adjust the component video Cr voltage to $600\text{mV}\pm 30\text{mV}$.



IMPORTANT NOTES

1. Show the software version

Press “DVD” and “SAT” at the same time.

2. Light up all the icon on the VFL

Press “CD” and “TAPE” at the same time.

3. Reset

Press “FM MUTE” and “PRESET/TUNE” at the same time. When VFL shows “Reset1 REQ?”, press “OK” button.

For CE version, the 9K/10KHz switch should be set to 9KHz and the voltage should be 230V AC.

For UL version, the 9K/10KHz switch should be set to 10KHz and the voltage should be 115V AC.

The 4/8 ohm switch should be set in 4ohm position in all version.

Ground-SW: GROUND.

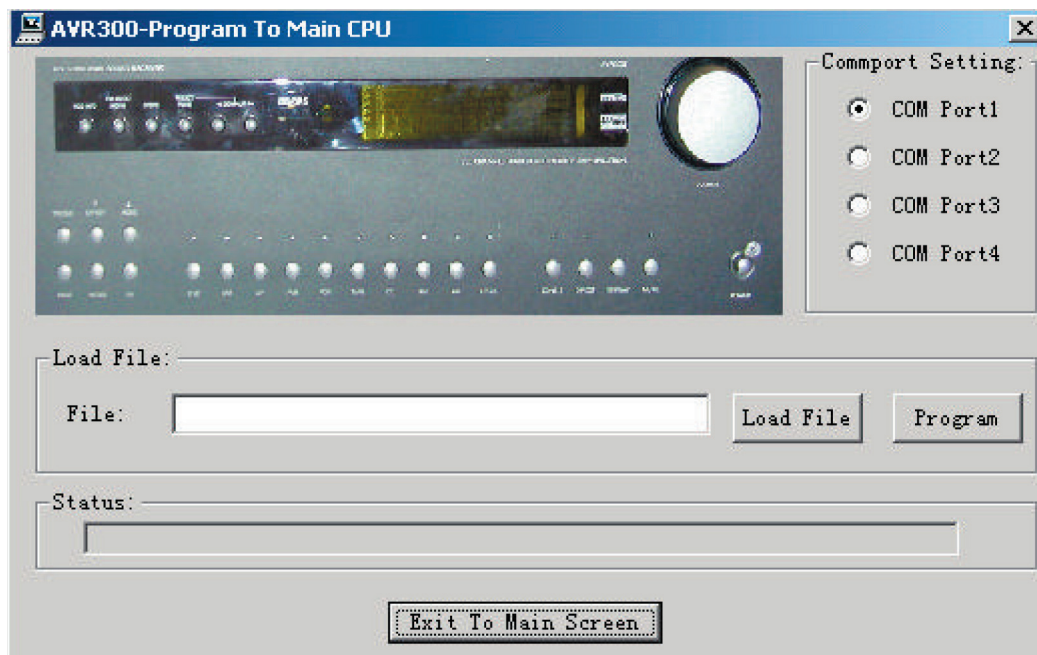
4. Upgrade MCU software

The software of main CPU P89C669 can be upgraded via RS232. The programming steps are as follows:

- Connect the AVR300 to the computer.
- On AVR300, press the buttons ‘RDS INFO’ and ‘STORE’ at the same time. Then the front panel should display ‘Program Req...’. Then press ‘OK’ button. Or you can press ‘RDS INFO’ and ‘STORE’ for 3 seconds. Front panel will then display ‘Program..’. The AVR300 is ready to be programmed.

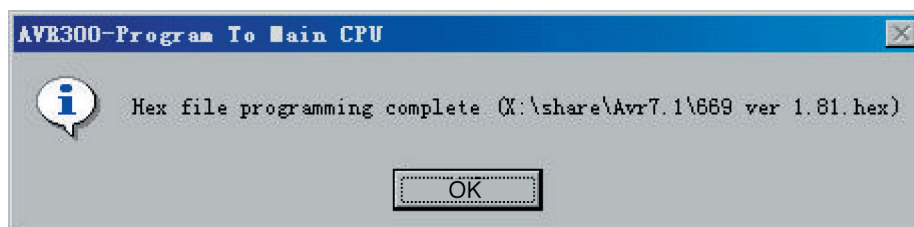
Note: when the program process is stopped unexpectedly, the program in IC may be erased. You can press these two buttons for 3 seconds for programming.

- Run the ‘AVR300test.exe’ and click the button ‘Program to CPU’. Select the appropriate COM Port and click the “Browse...” to load the hex file.



- Then click the button ‘Program’. Upon the upgrade process is completed, a pop window will be shown.

Note: Please try it again if there is error response.



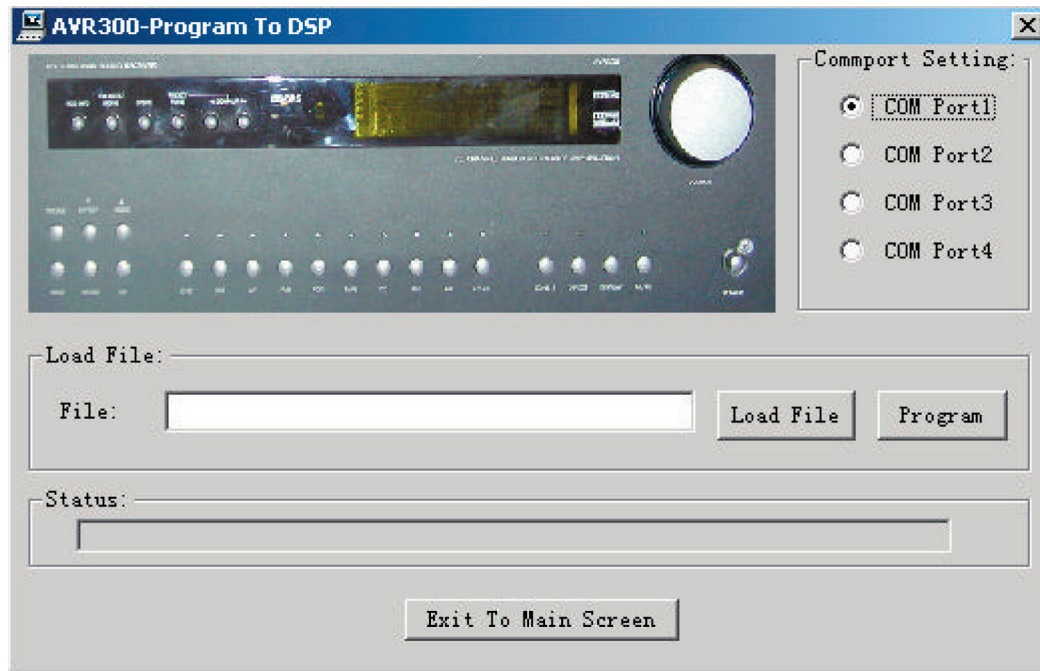
5. Upgrade DSP software

DSP code in Flash Rom AT29LV040A can be upgraded via RS232.

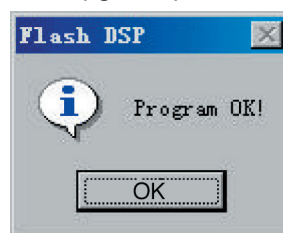
- Connect the AVR300 to the computer.
- On AVR300, press the buttons 'RDS INFO' and 'FM Mute/Mono' at the same time. Then the front panel should display 'Program Req...'. Then press 'OK' button. Or you can press 'RDS INFO' and 'FM Mute/Mono' for 3 seconds. Front panel will then display 'Program..'. The AVR300 is ready to be programmed.

Note: when the program process is stopped unexpectedly, the program in IC may be erased. You can press these two buttons for 3 seconds for programming.

- Run the 'AVR300test.exe' and click the button 'Program to DSP'. Select the appropriate COM Port and click the "Browse..." to load the s28 file.

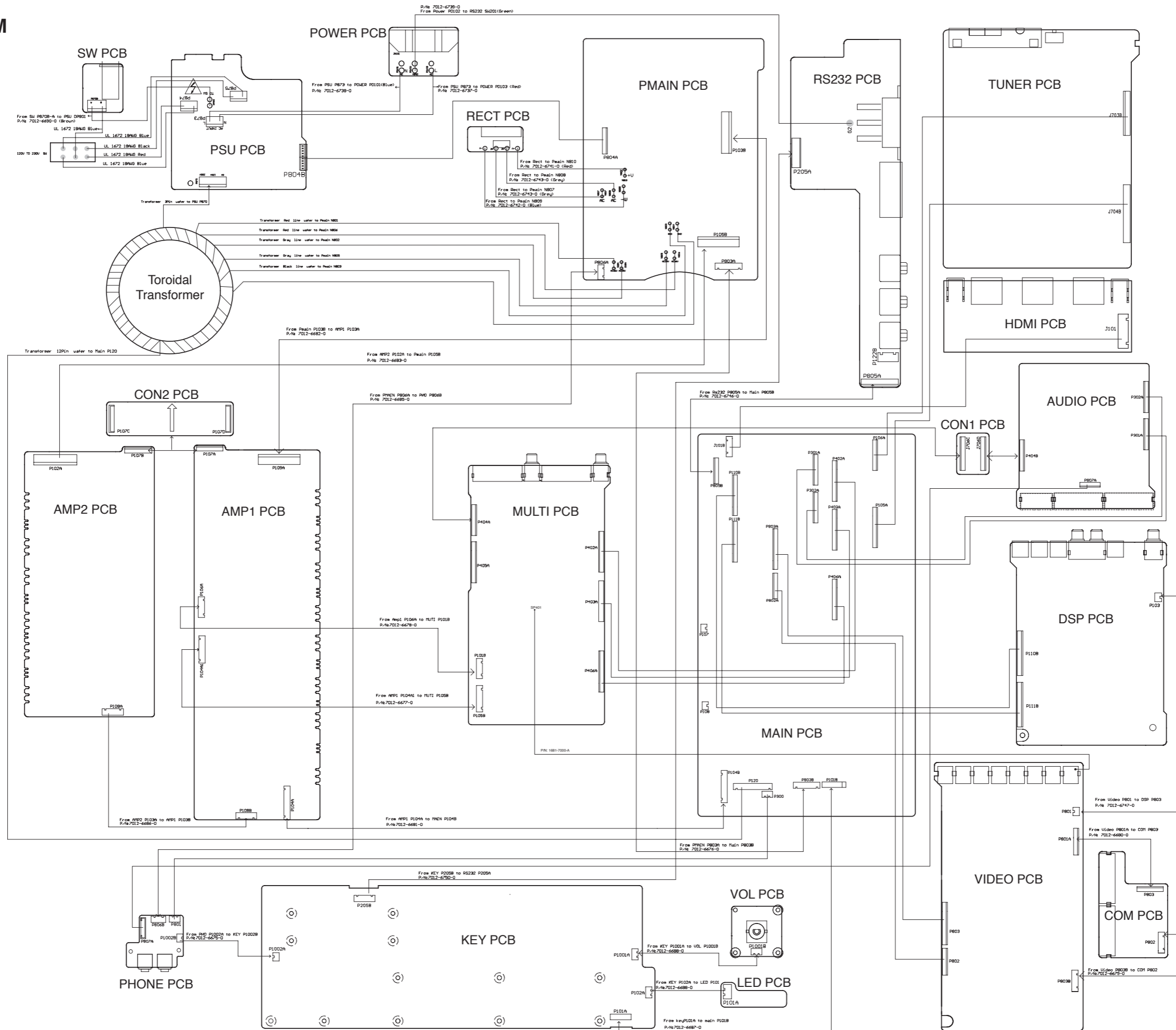


- Then click the button 'Program'. Upon the upgrade process is completed, a pop window will be shown.



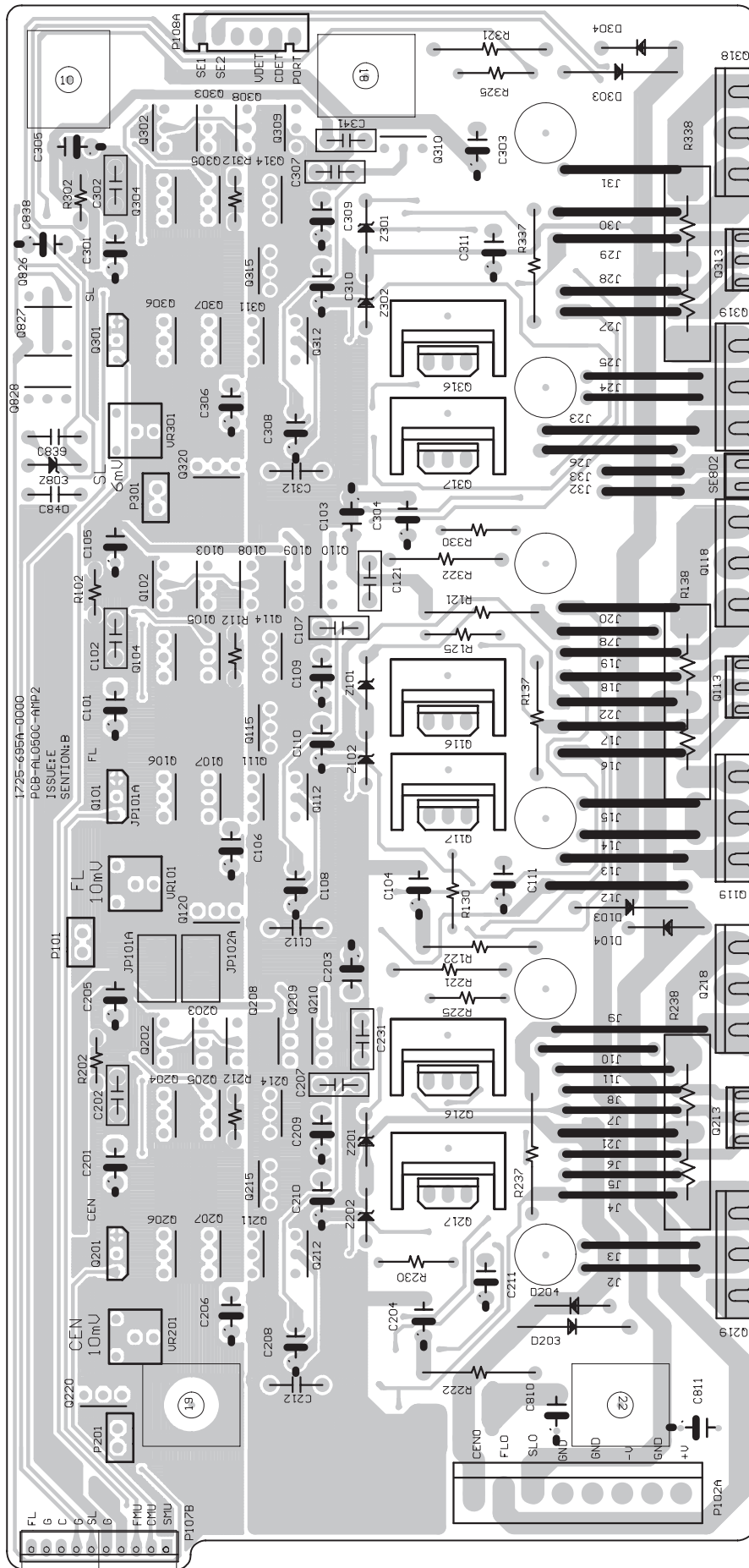
- Finally, use Dolby, DTS, PCM test discs to see if all decodings are ok. This ensure the DSP has been upgraded successfully.

WIRING DIAGRAM

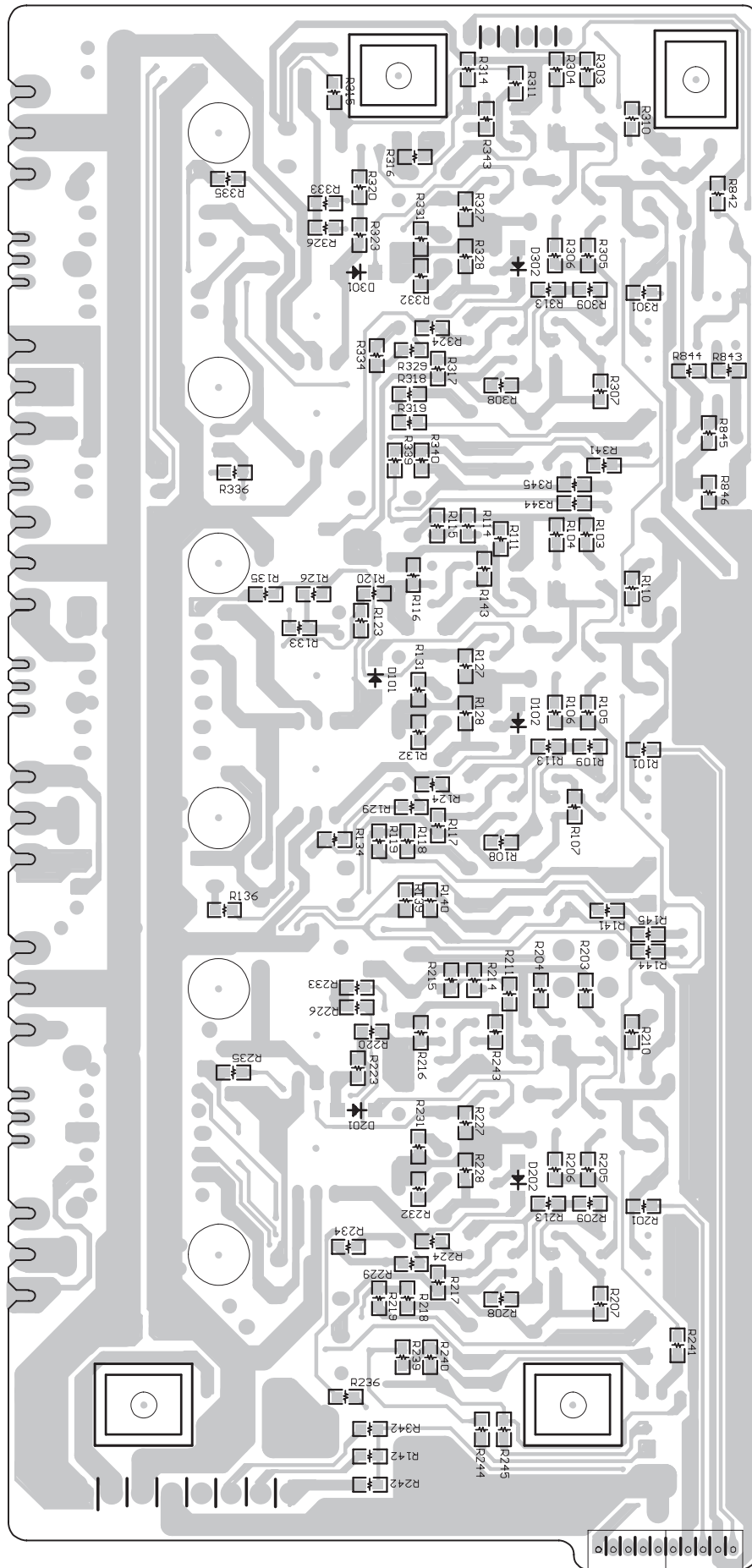


PCB LAYOUT

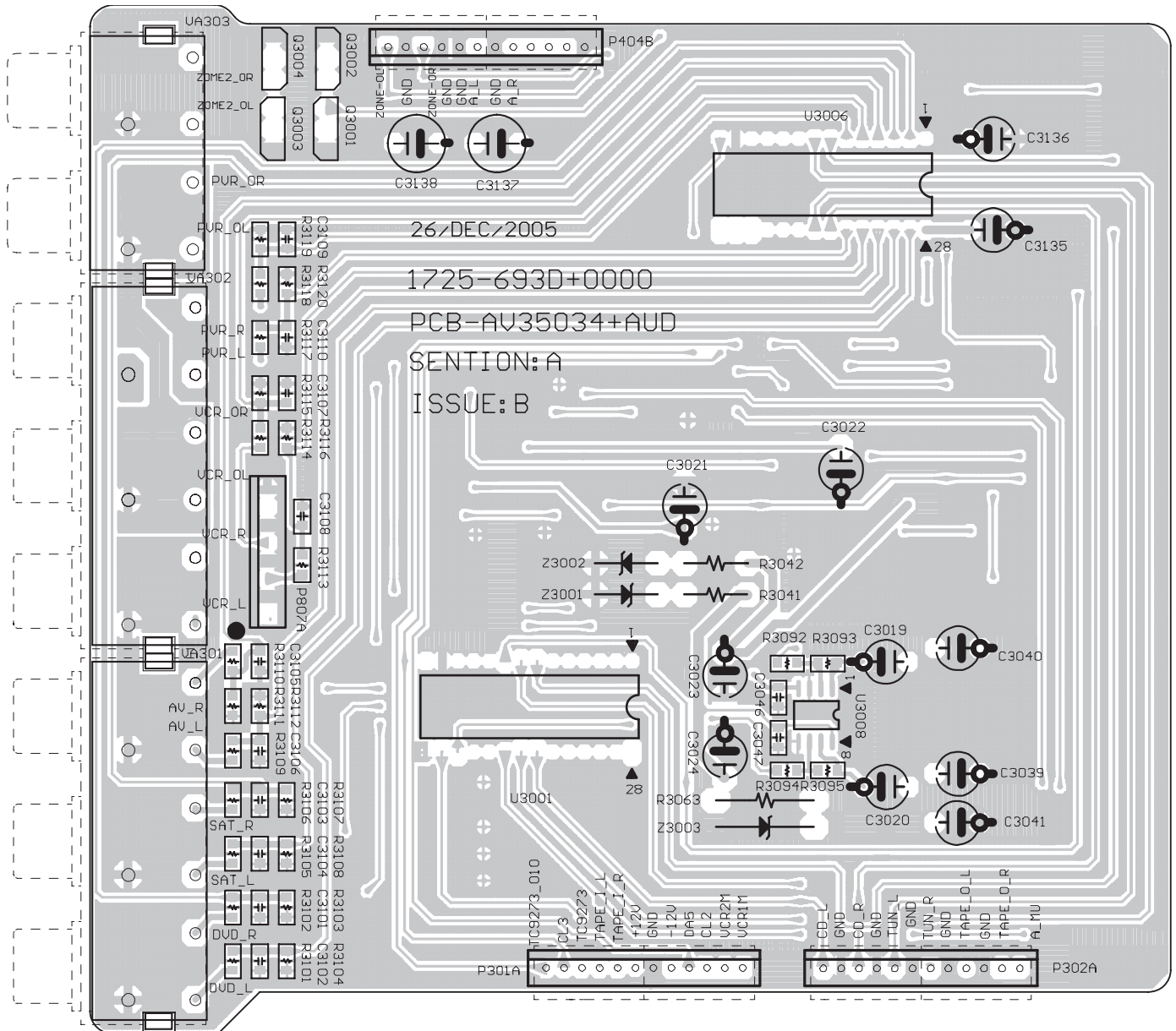
AMP2 board component side



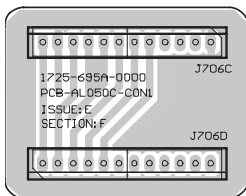
AMP2 board copper side



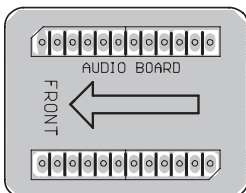
AUDIO board component side



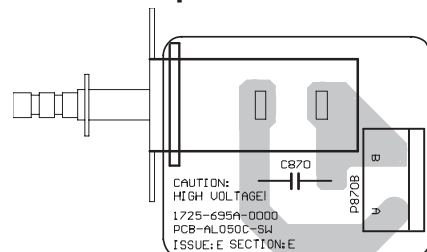
CON1 board component side



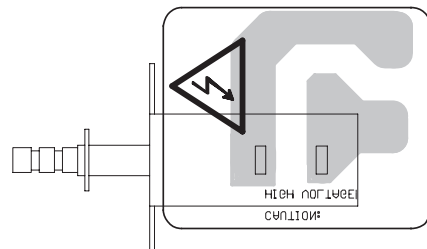
CON1 board copper side



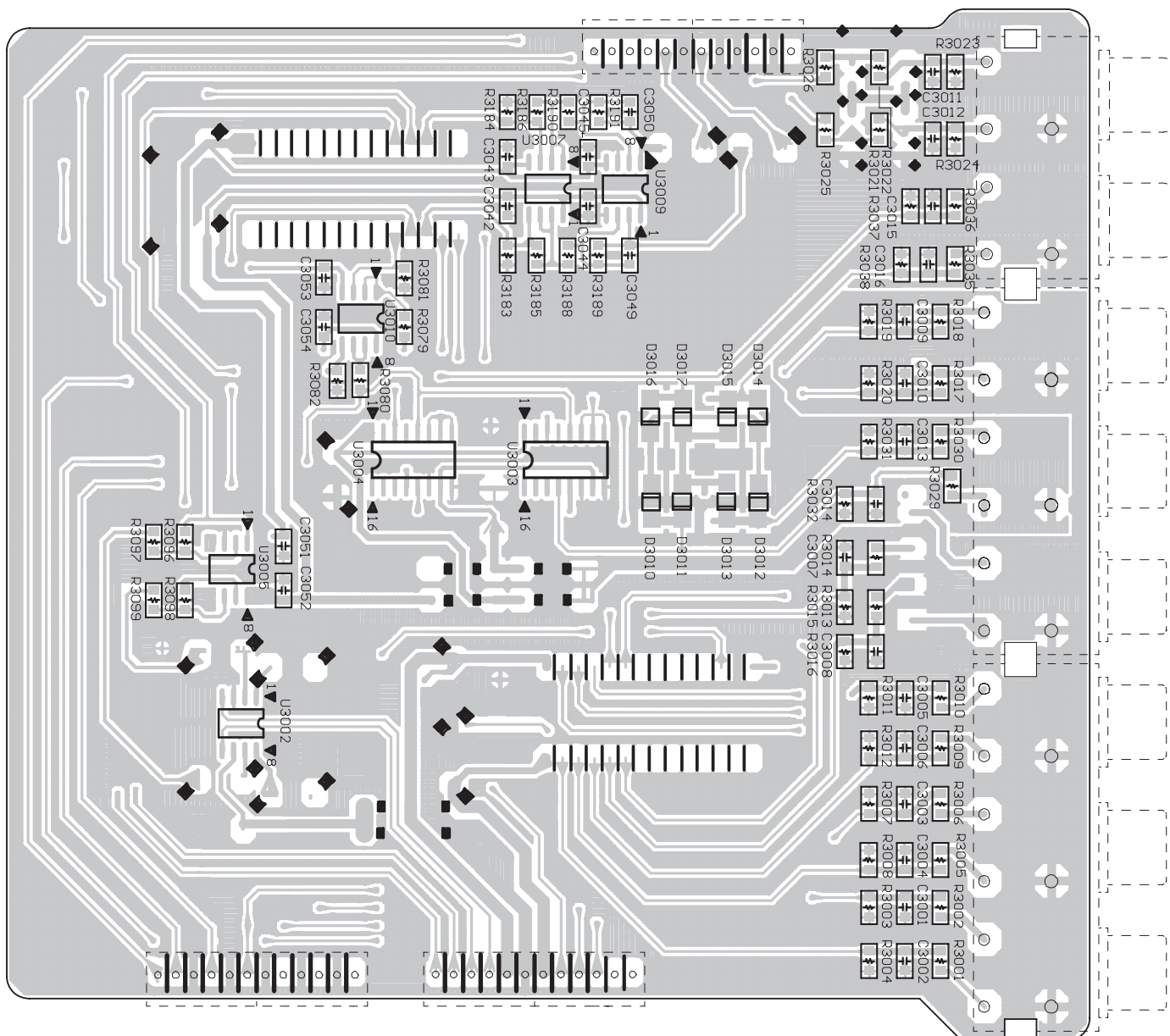
SW board component side



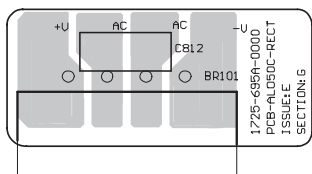
SW board copper side



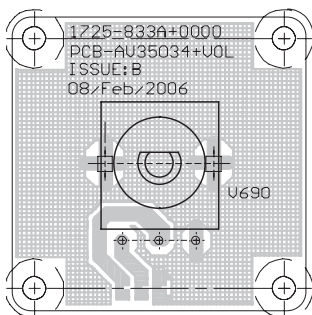
AUDIO board copper side



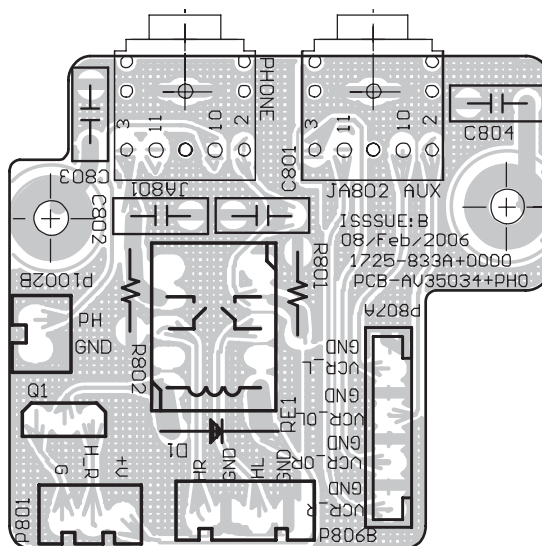
RECT board



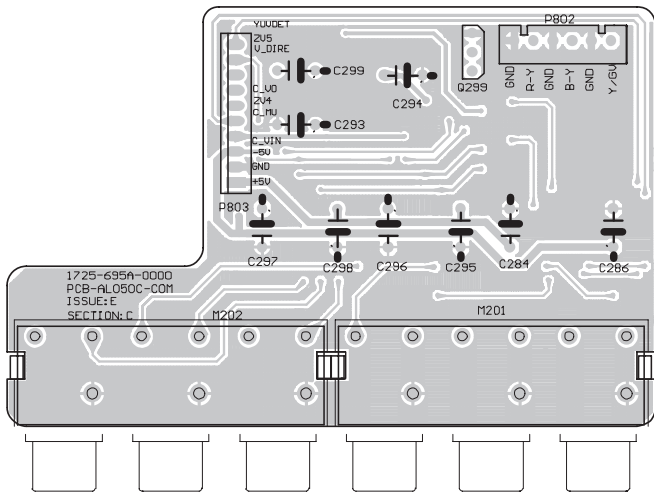
VOL board



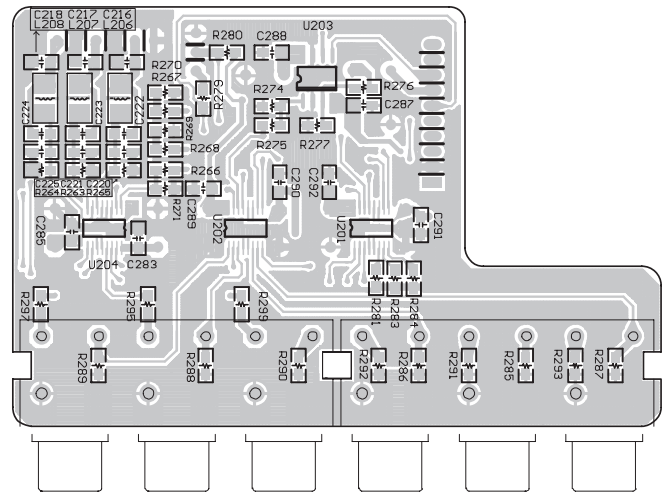
PHONE board



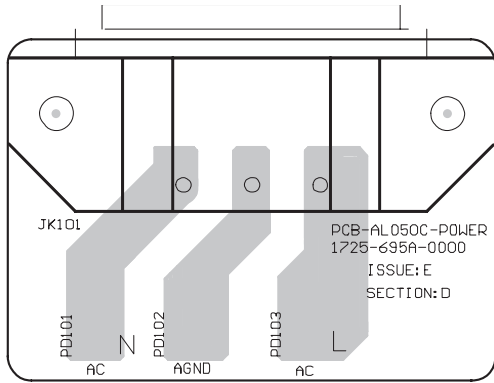
COM board component side



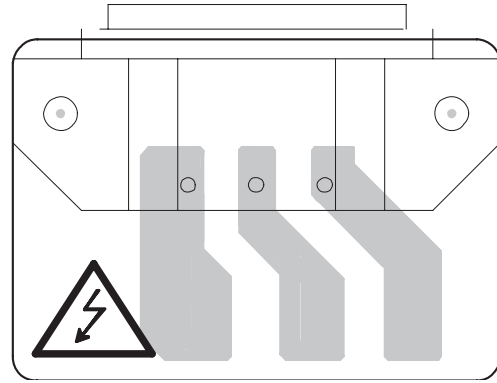
COM board copper side



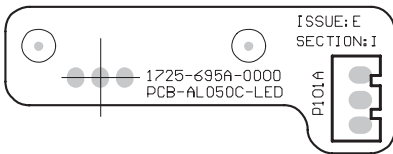
POWER board component side



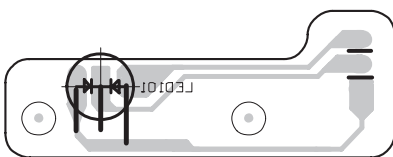
POWER board copper side



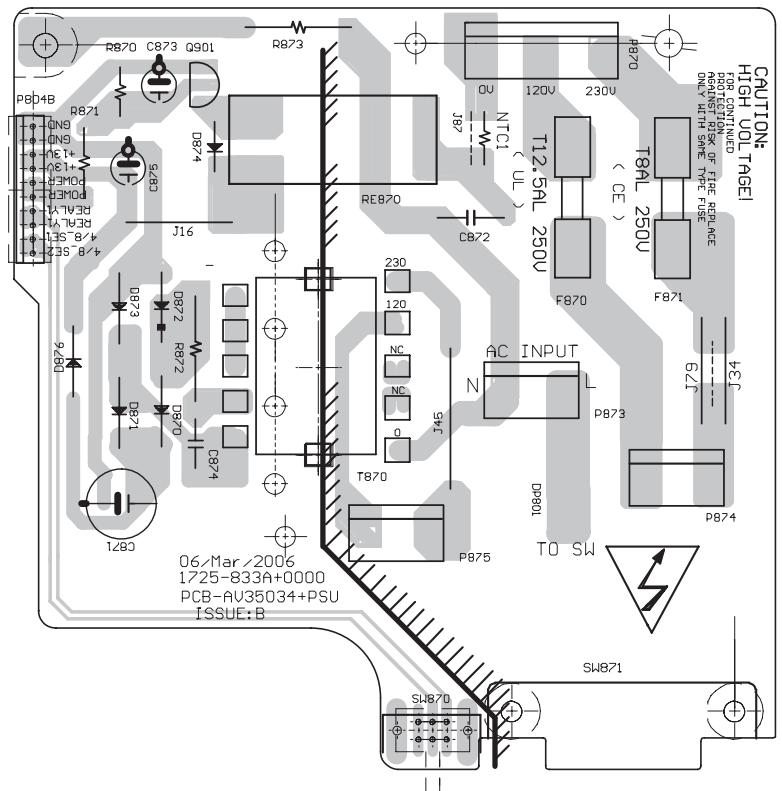
LED board component side



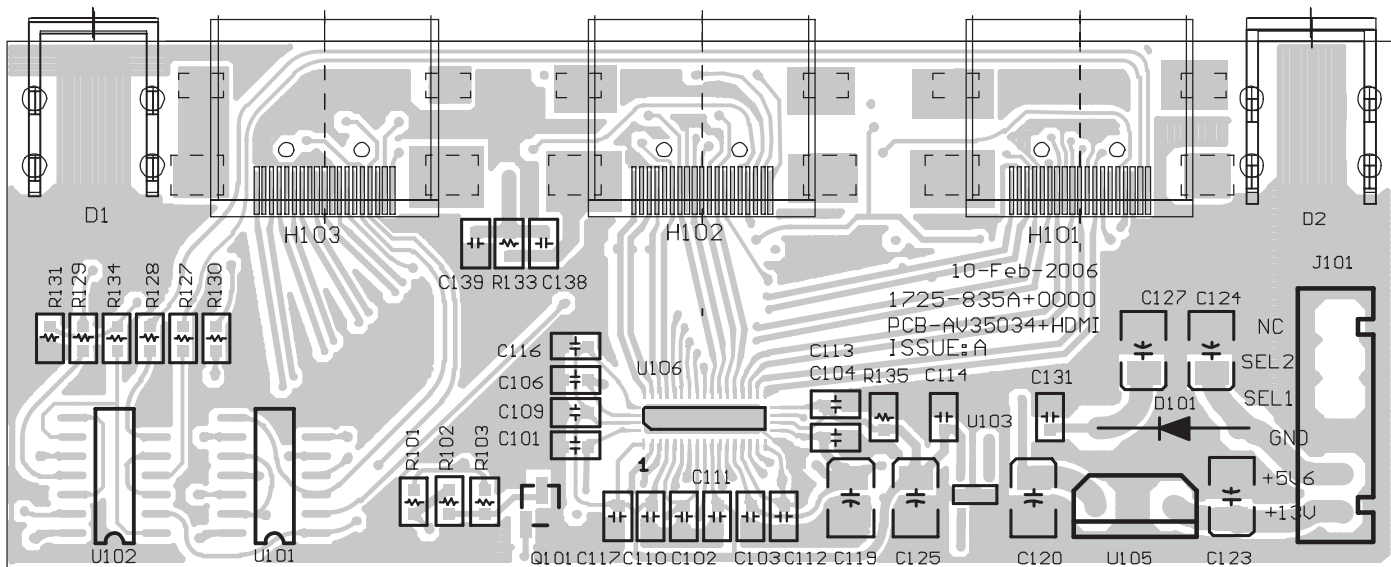
LED board copper side



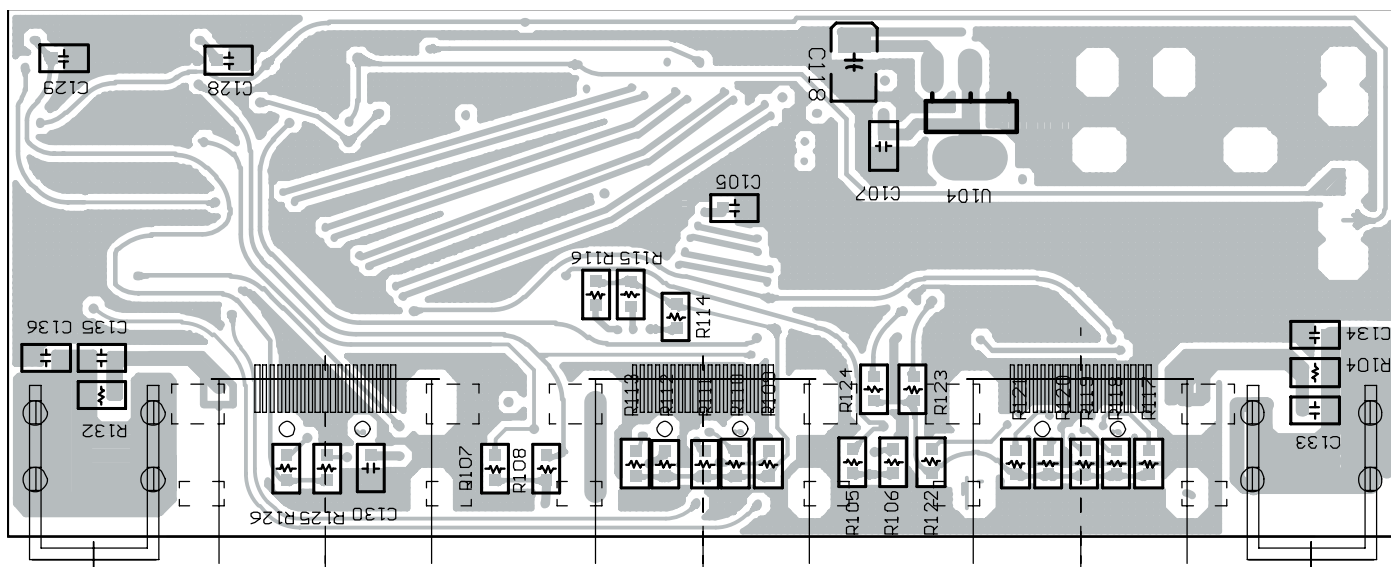
PSU board



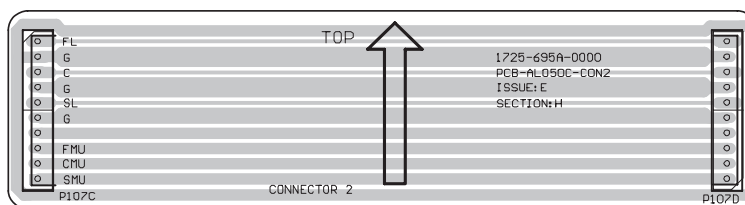
HDMI board component side



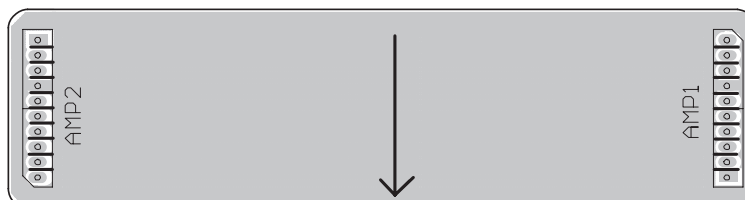
HDMI board copper side



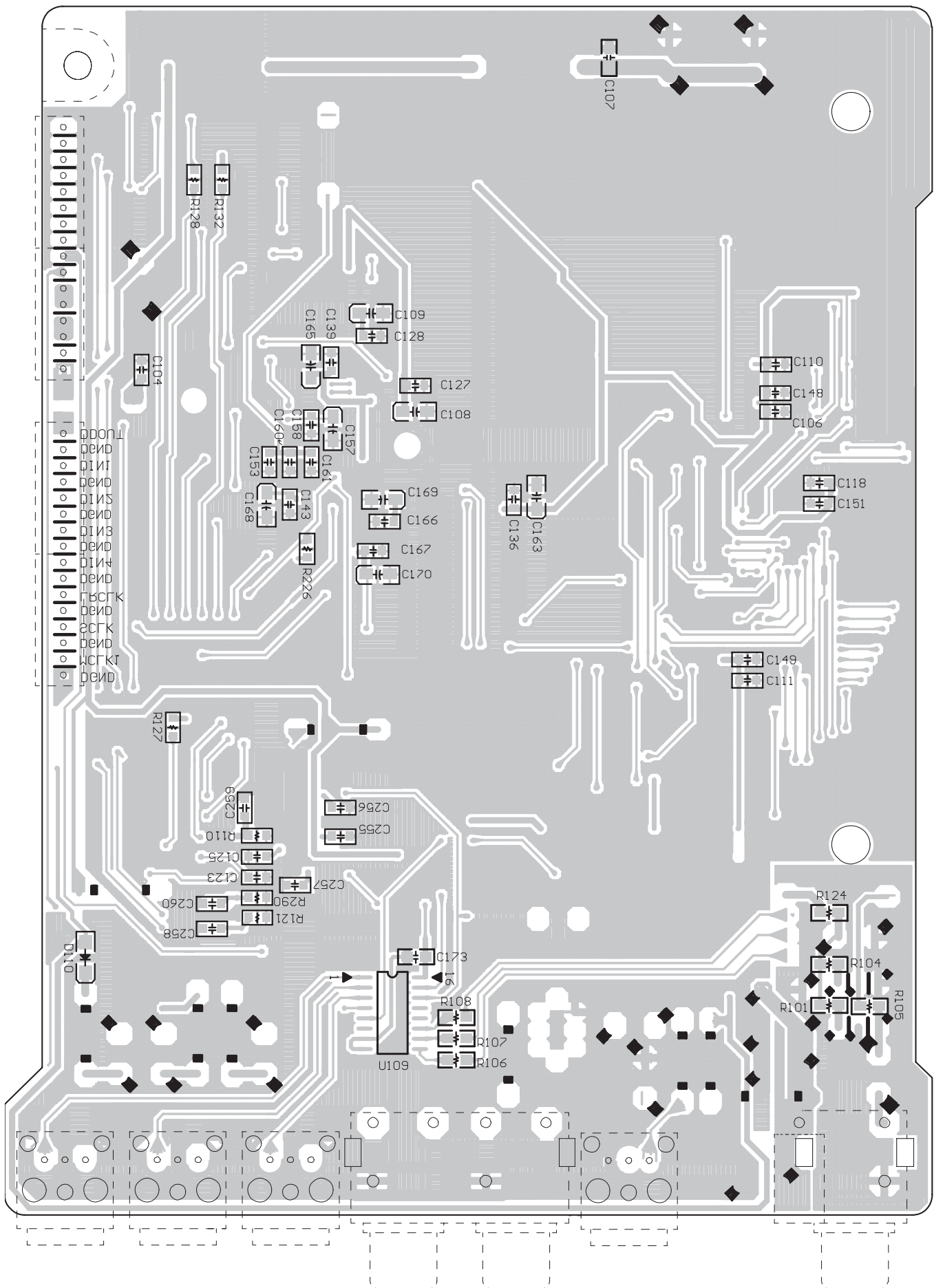
CON2 board component side



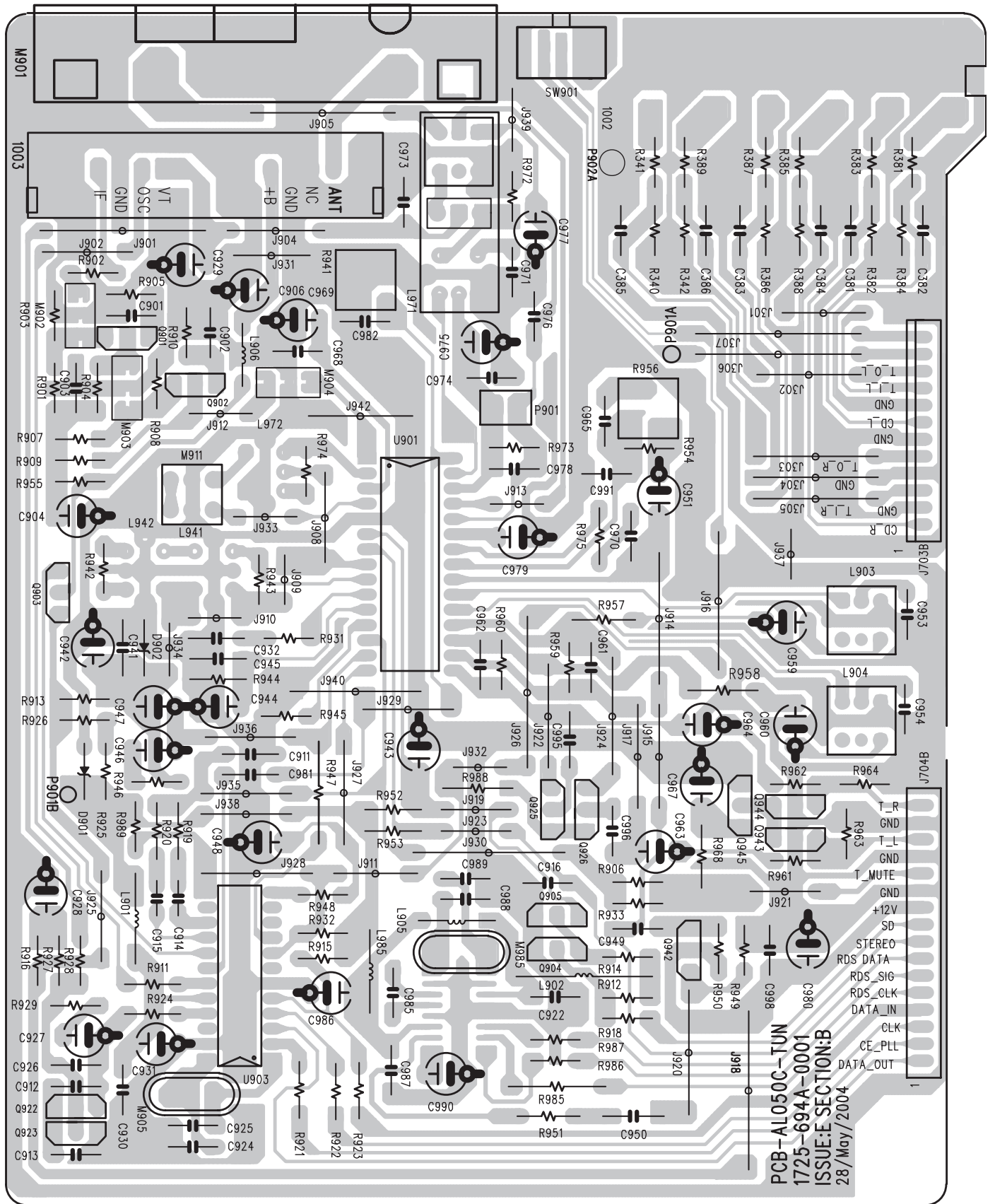
CON2 board copper side



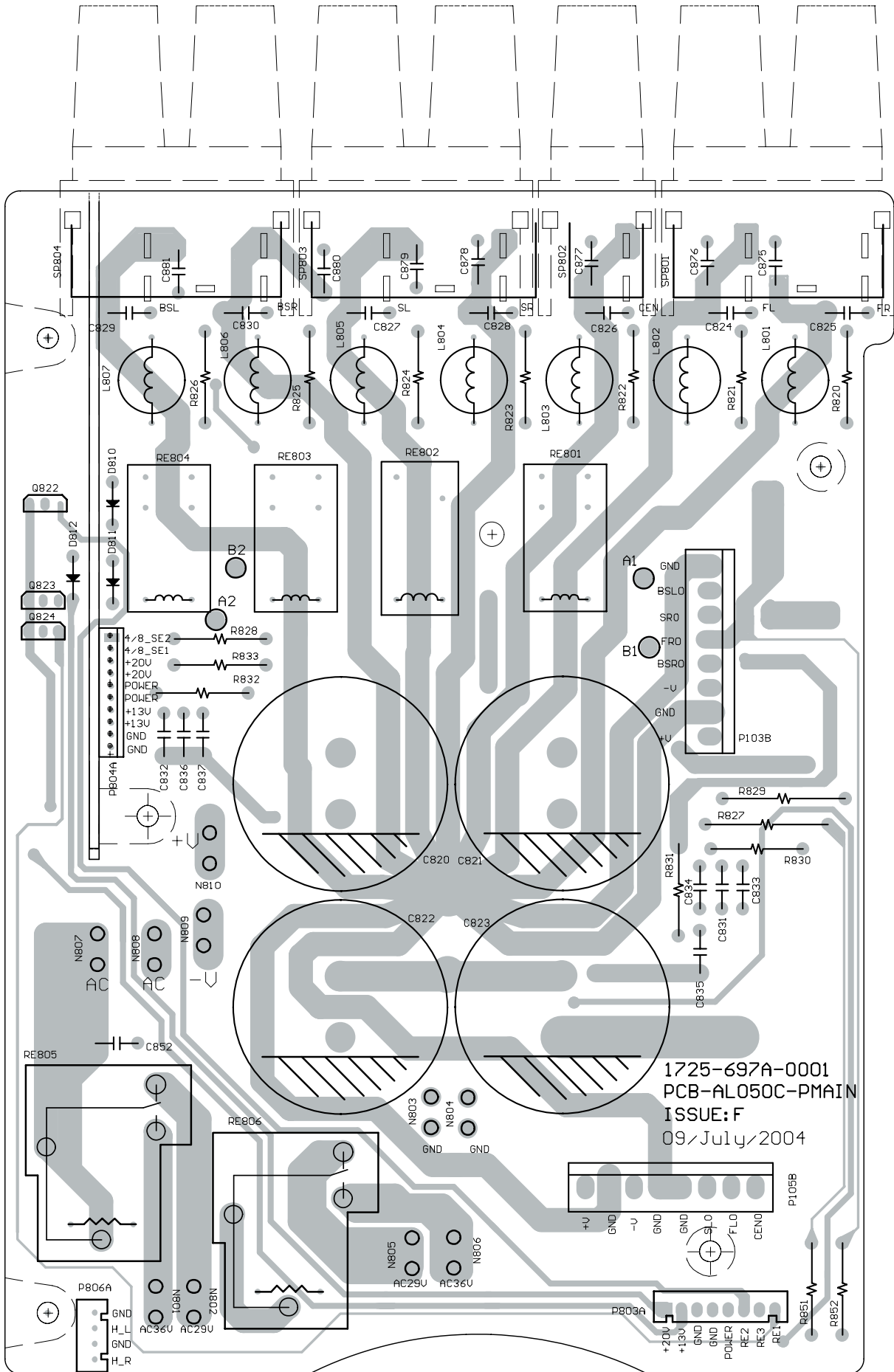
DSP board copper side



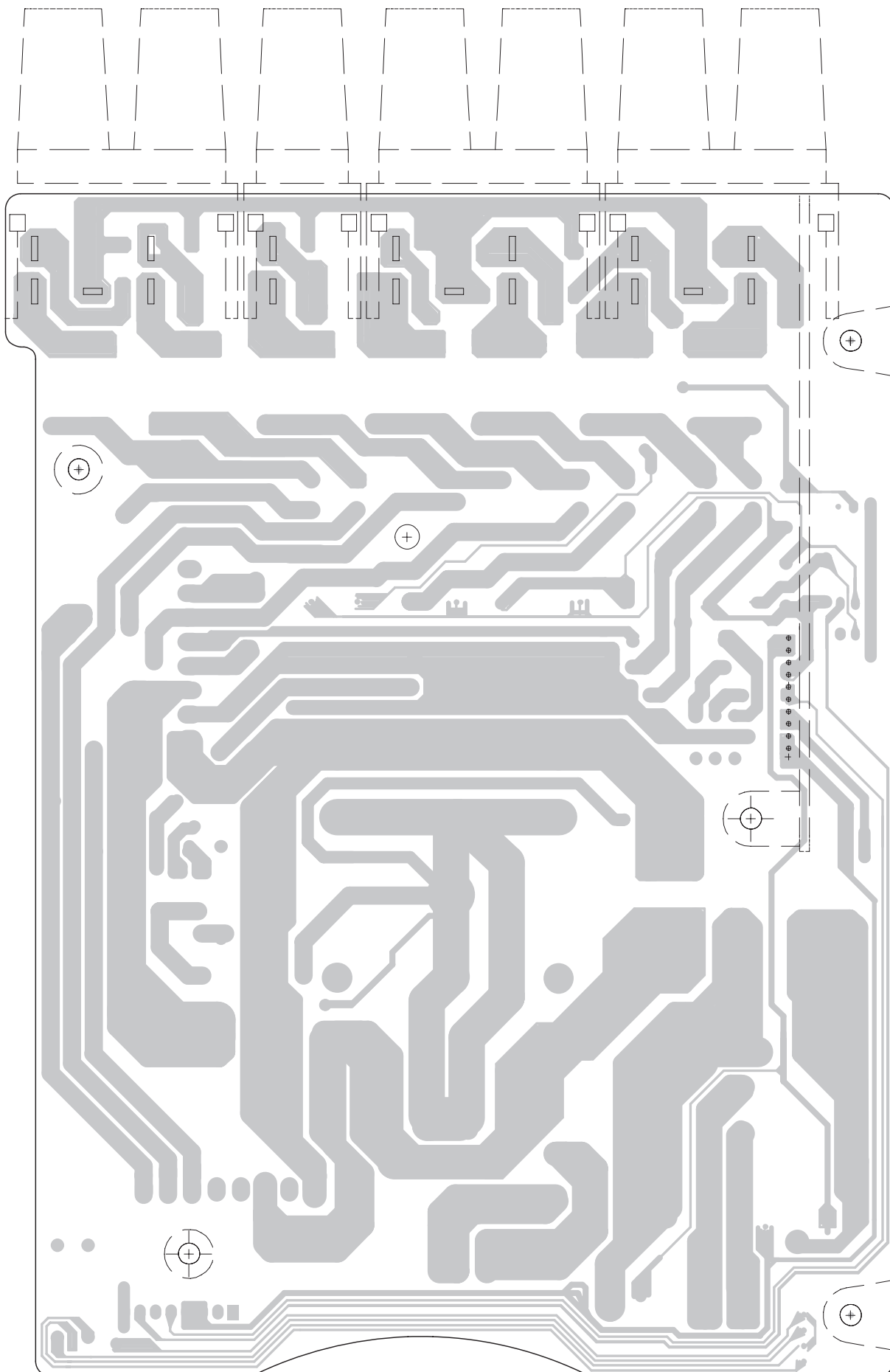
TUNE board



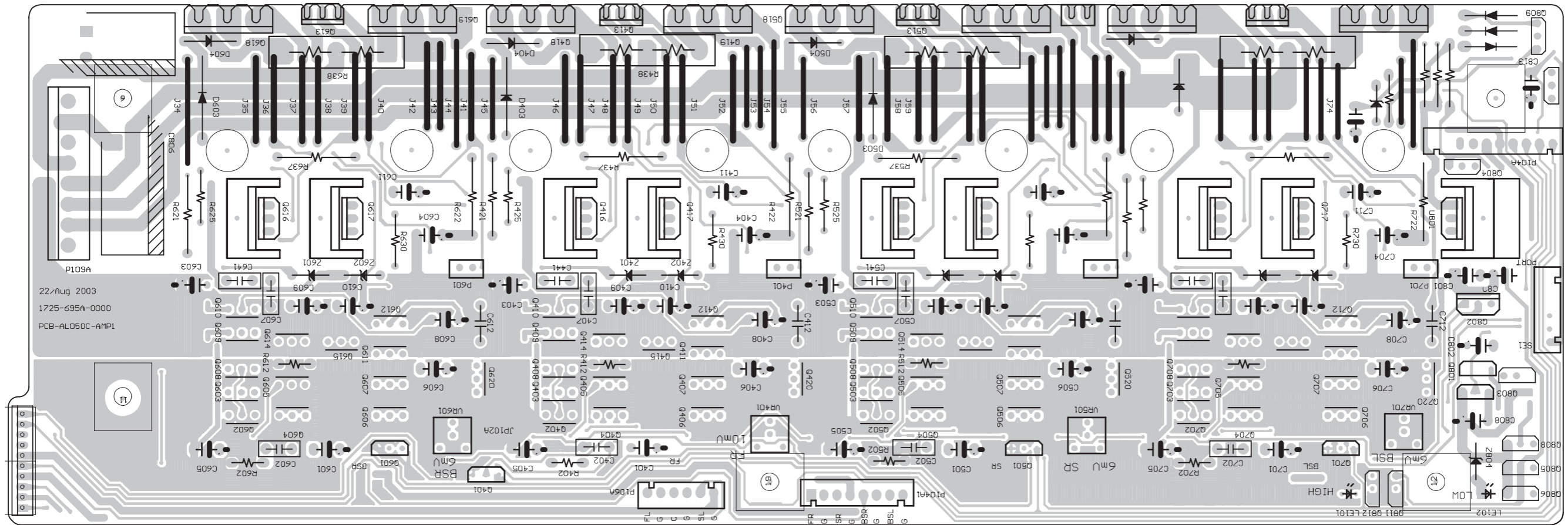
PMAIN board component side



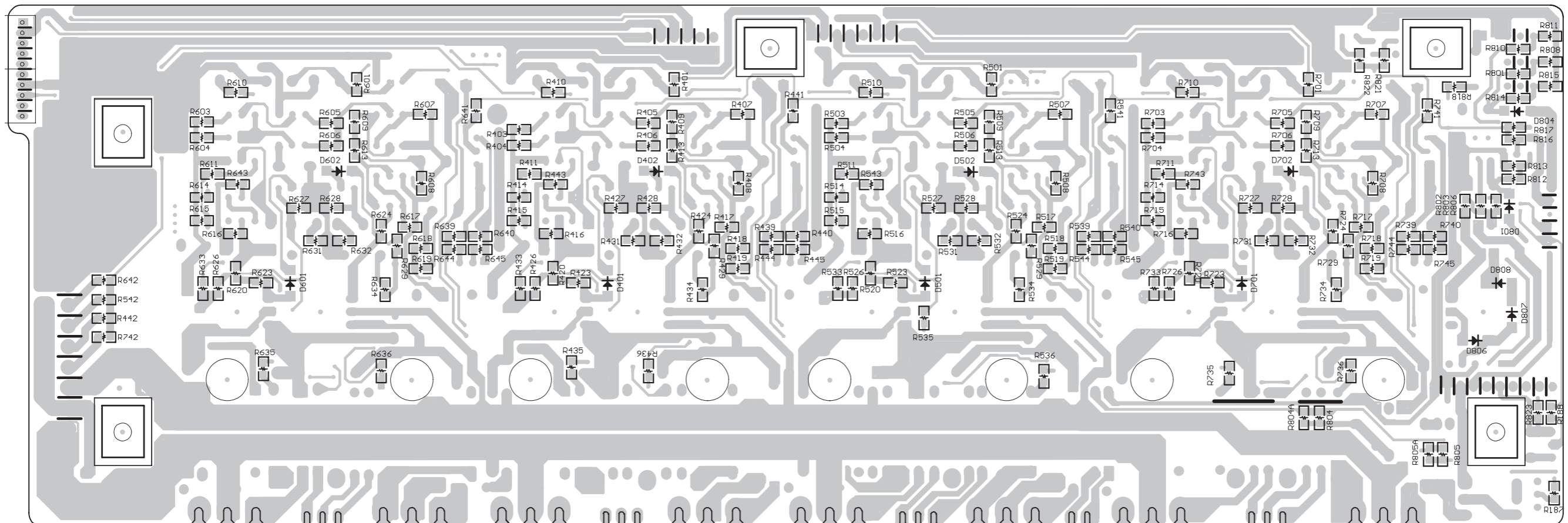
PMAIN board copper side



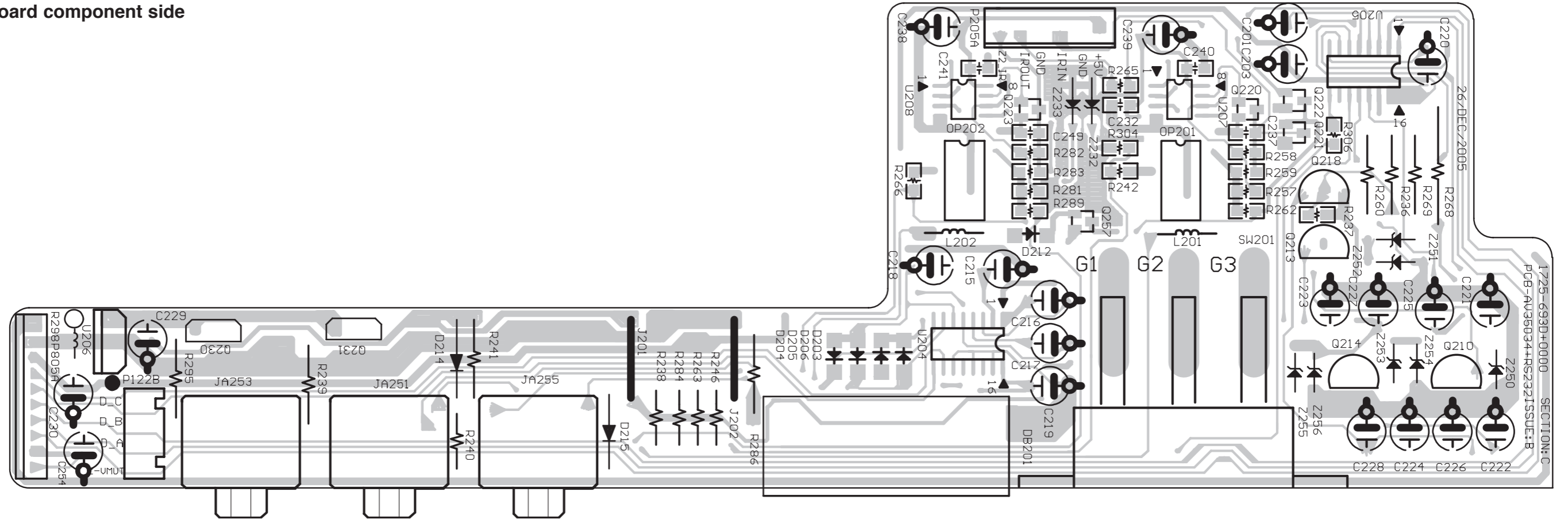
AMP1 board component side



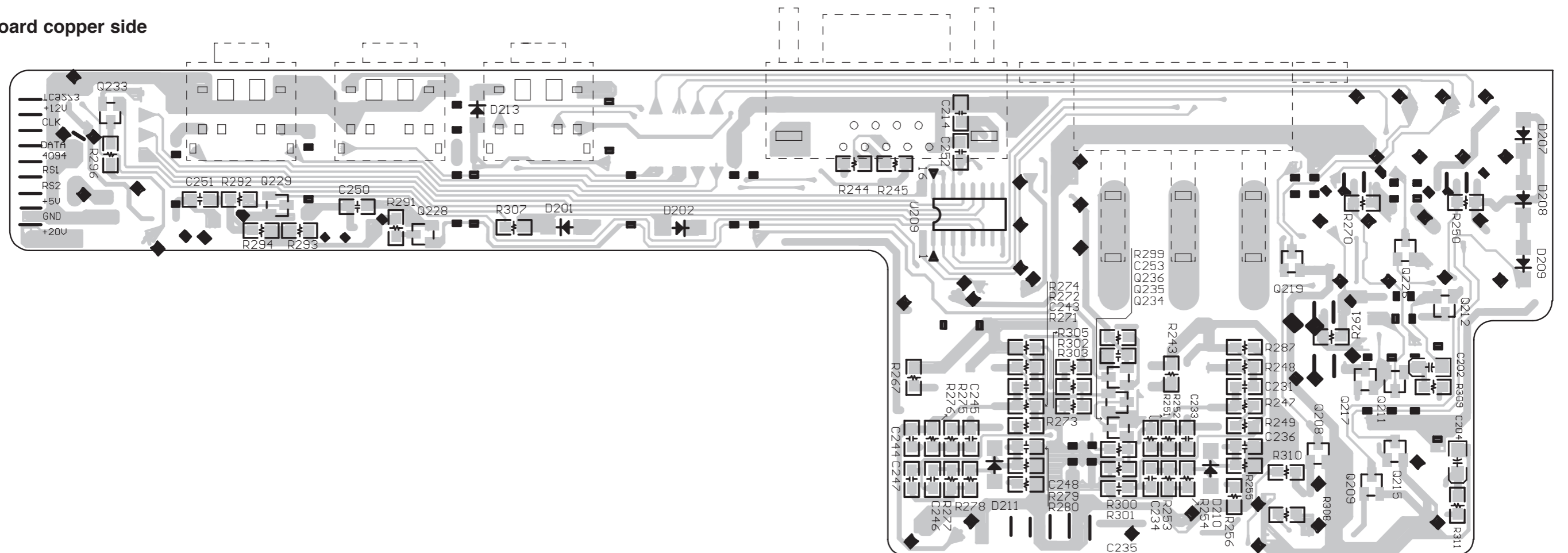
AMP1 board copper side



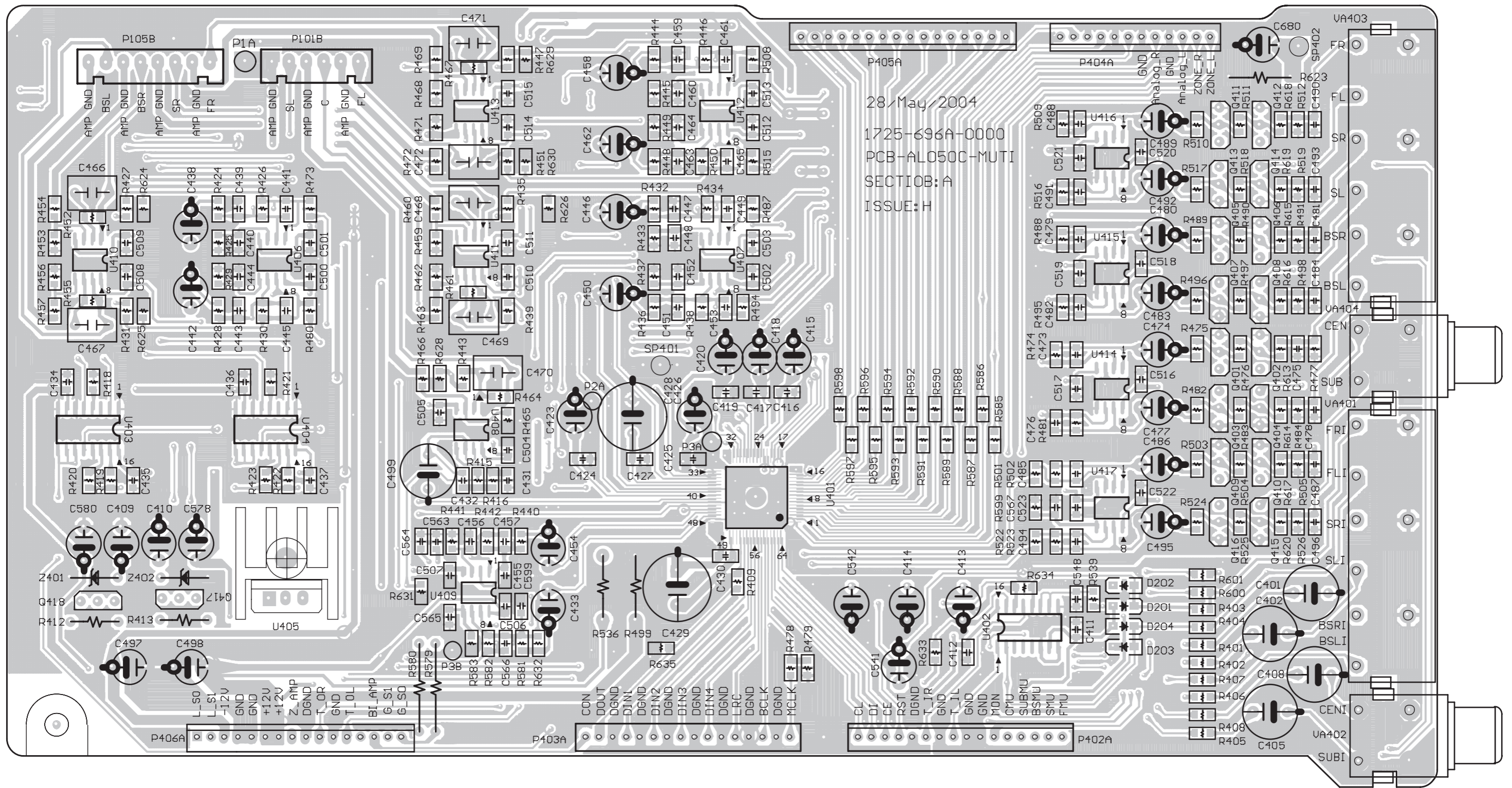
RS232 board component side



RS232 board copper side

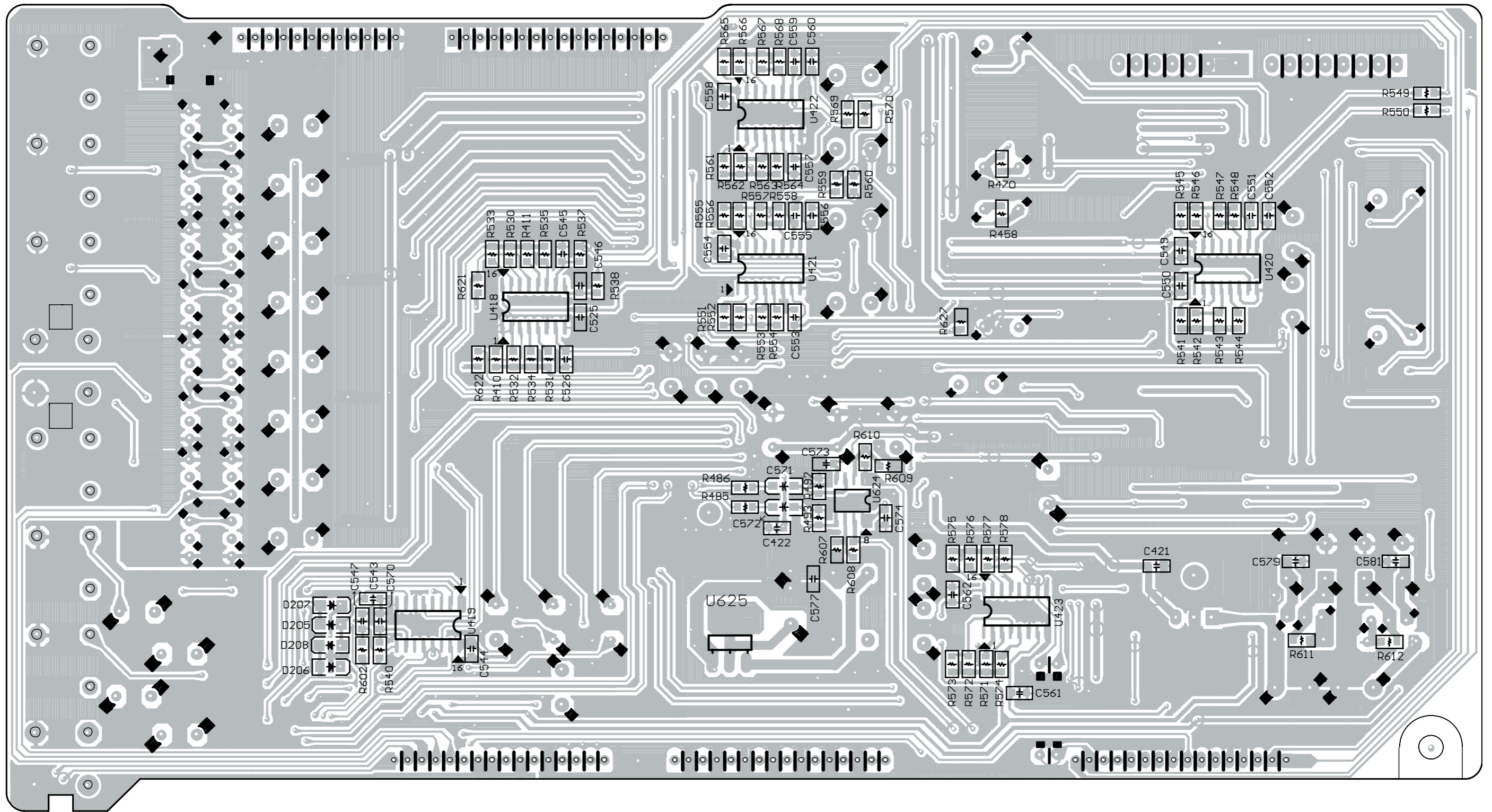


MUTI board component side

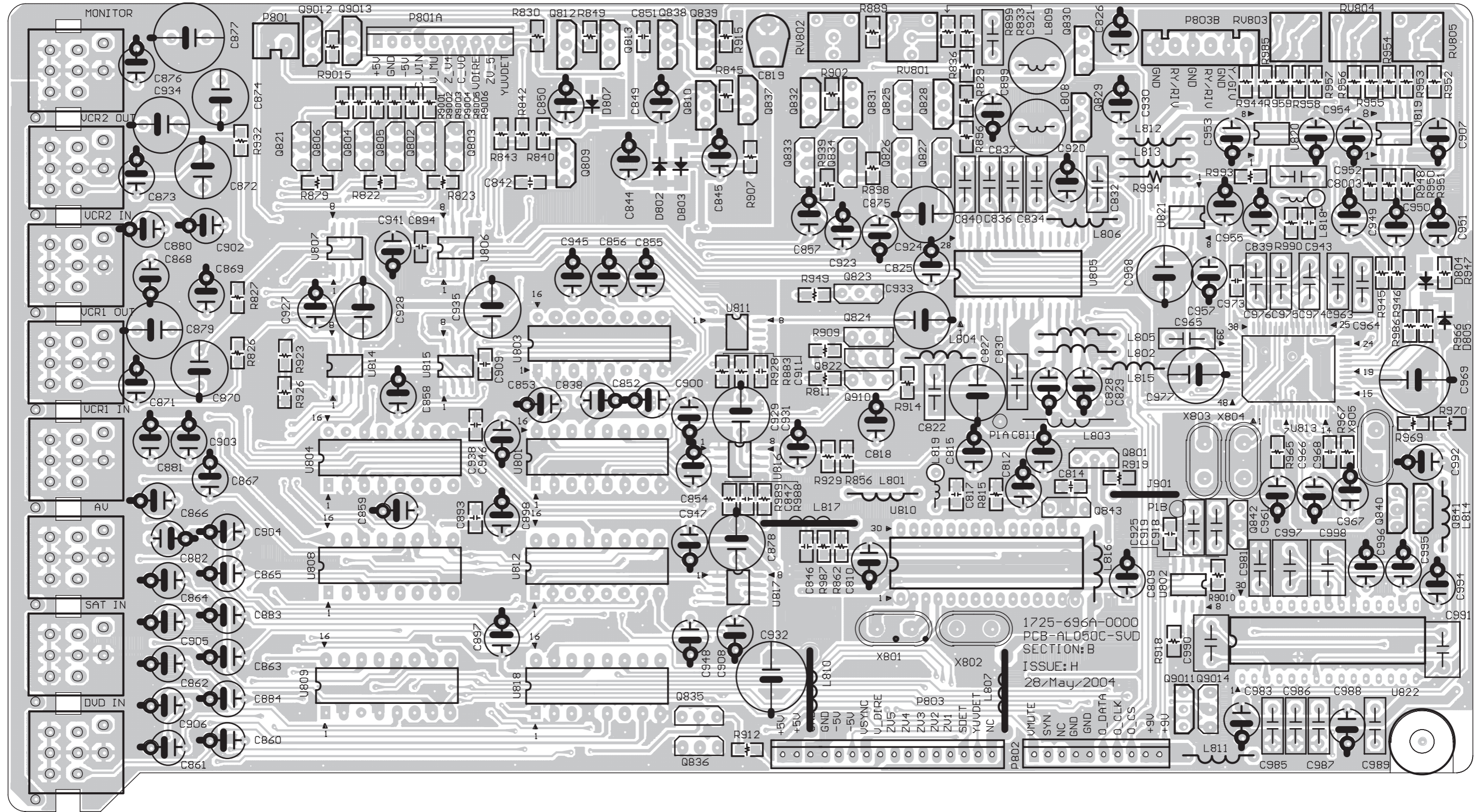


28 May 2004
1725-696A-0000
PCB-AL050C-MUTI
SECTION: A
ISSUE: H

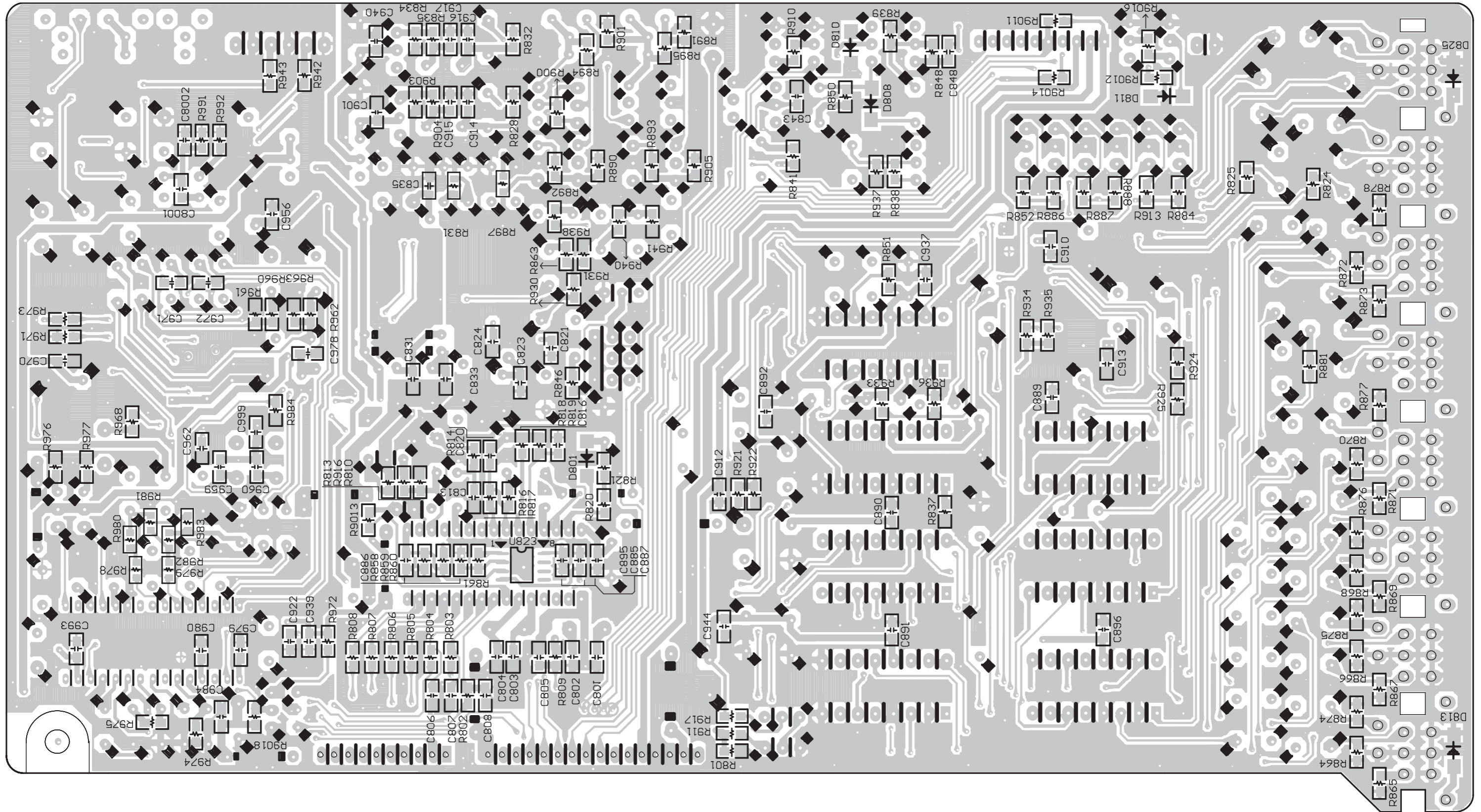
MUTI board copper side



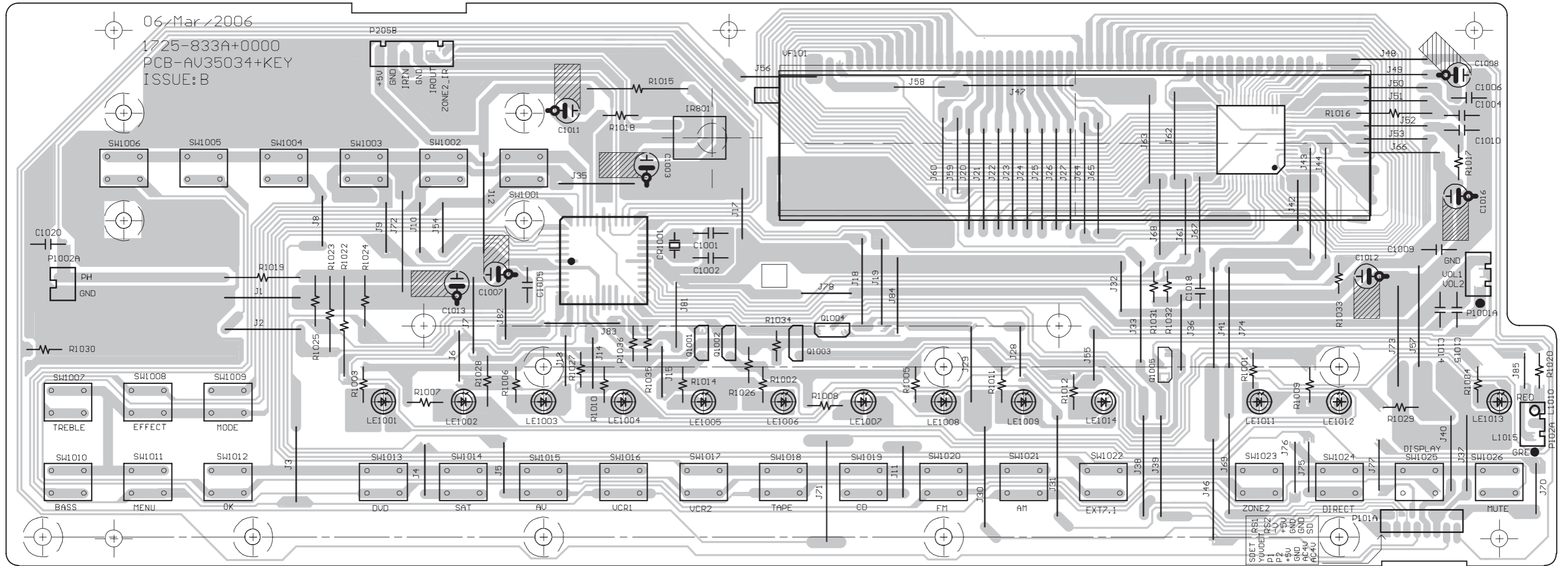
VIDEO board component side



VIDEO board copper side

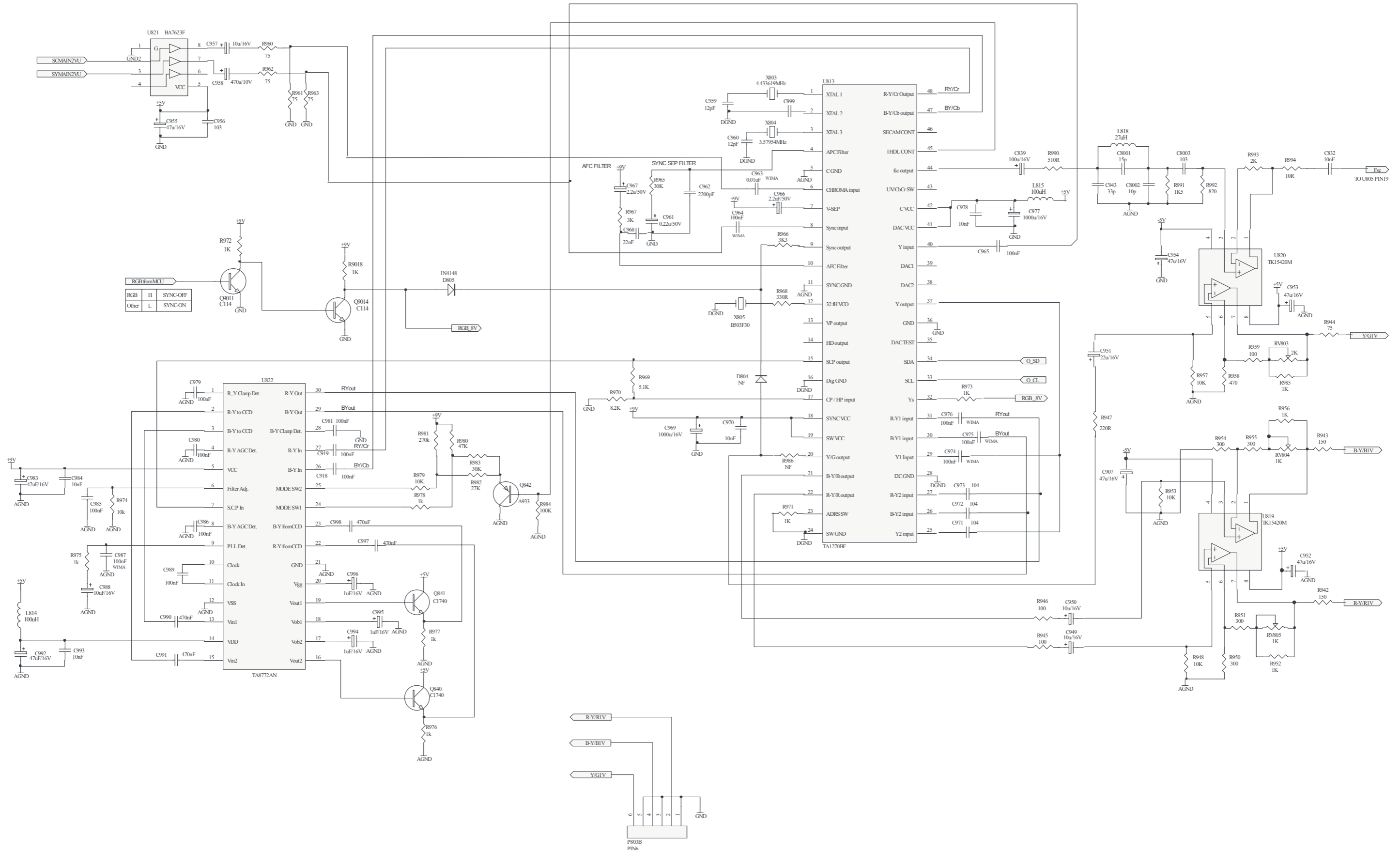


KEY board

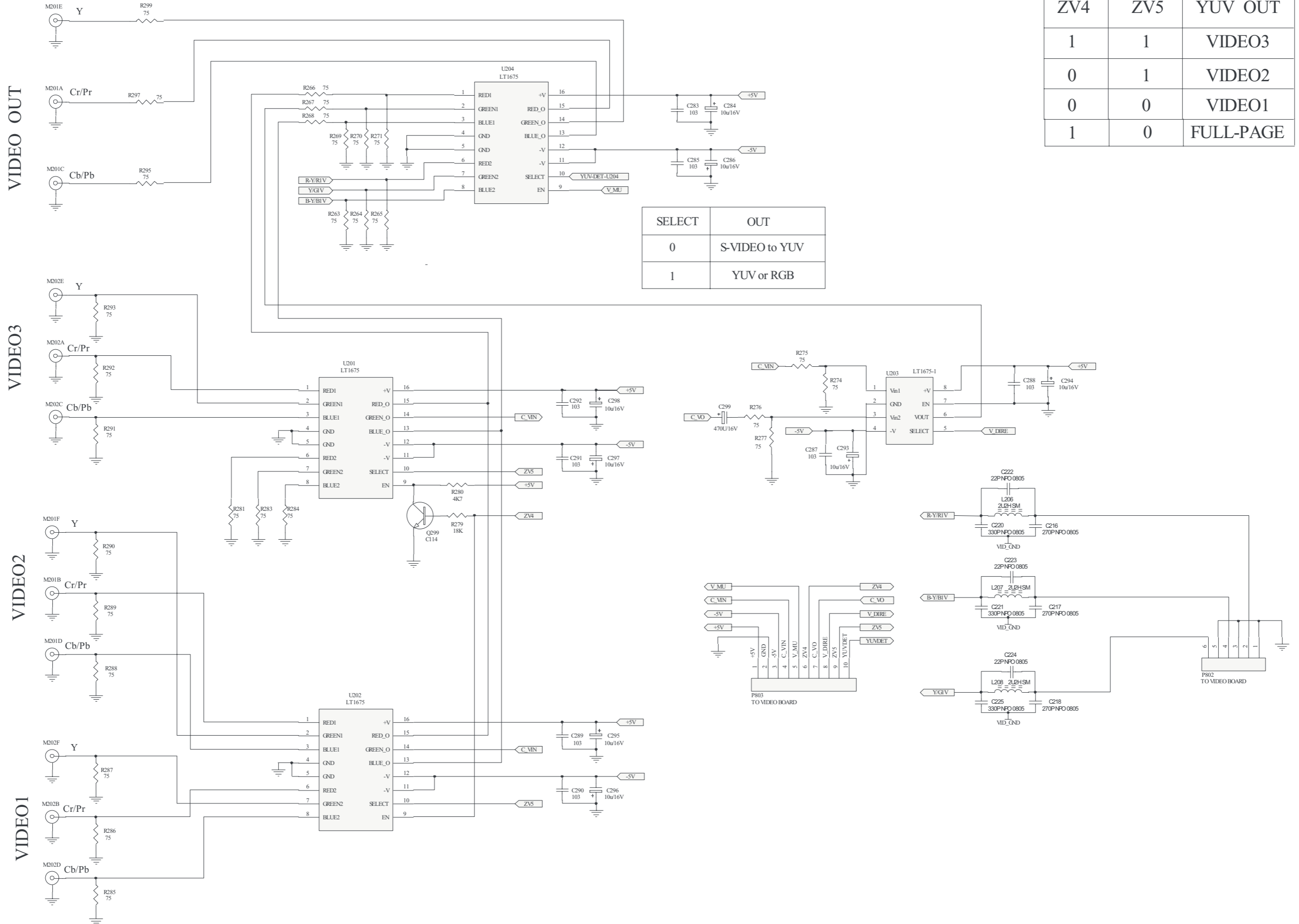


SCHEMATIC DIAGRAM

S-HQ VIEDO

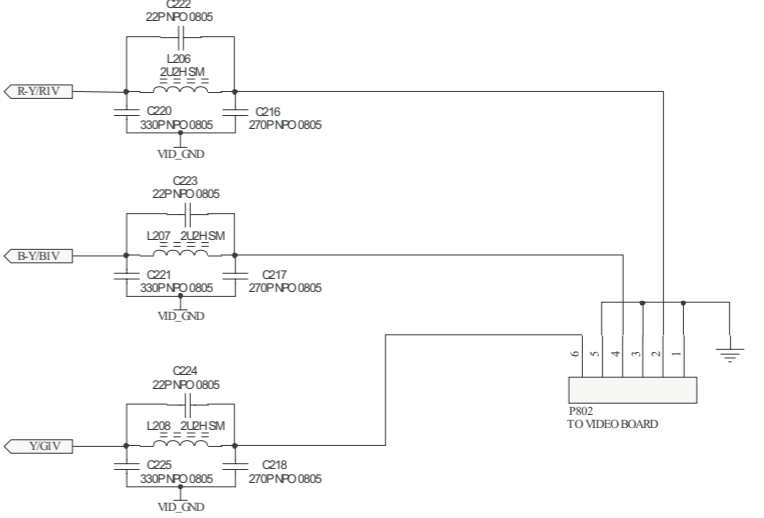
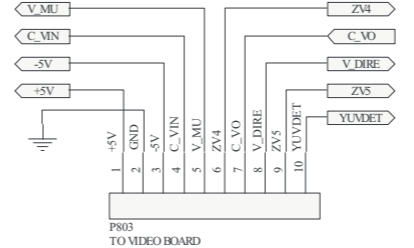
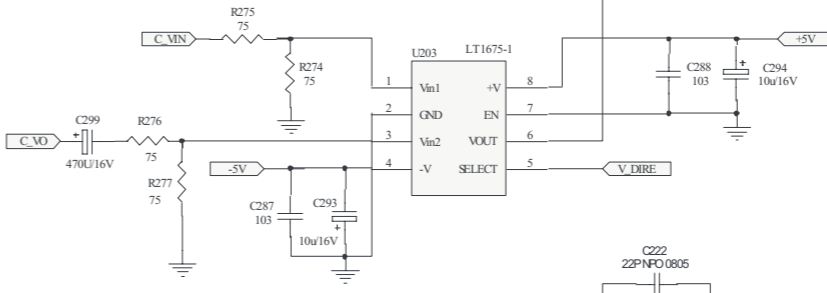


HQ_VIDEO

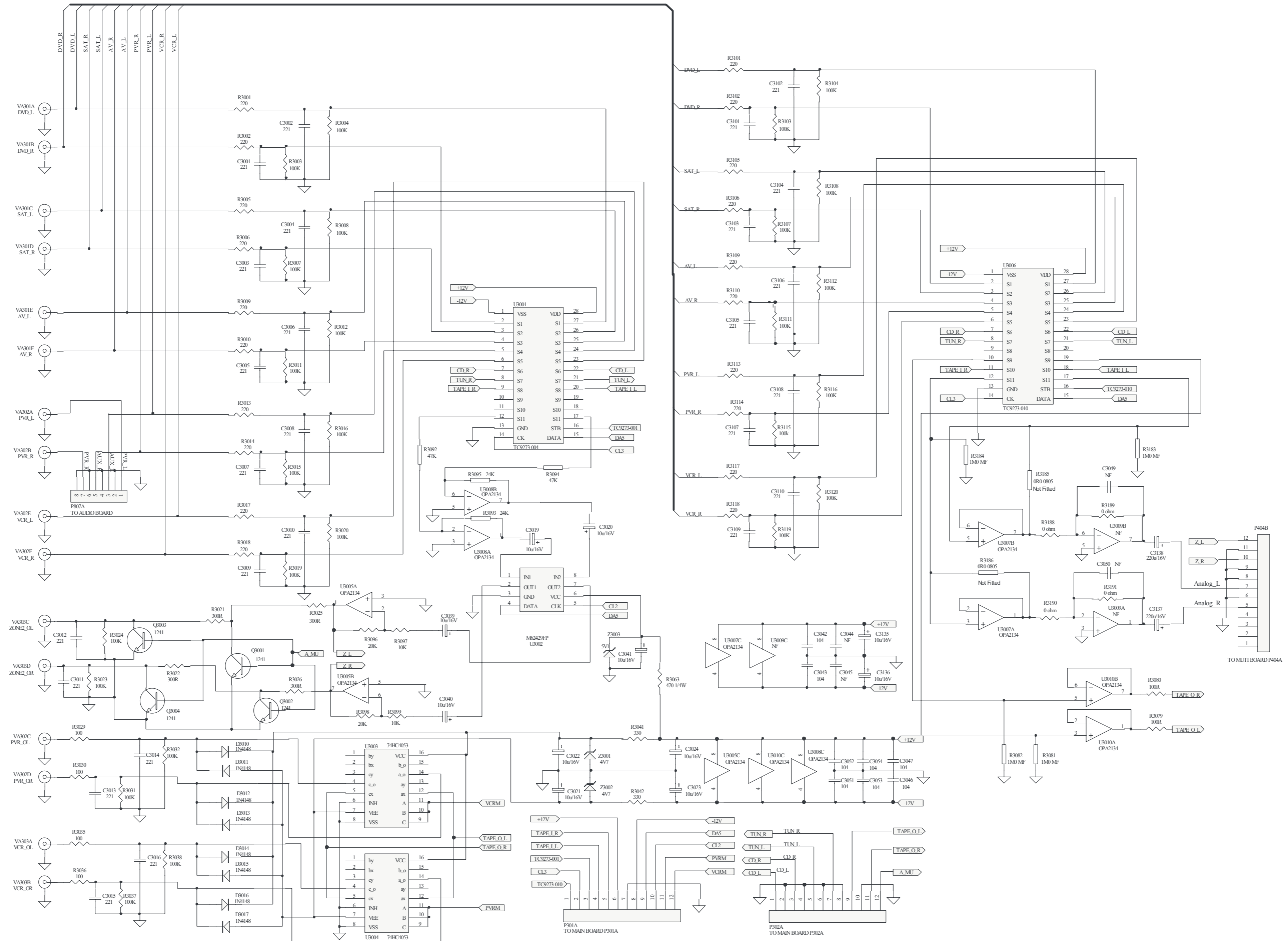


ZV4	ZV5	YUV OUT
1	1	VIDEO3
0	1	VIDEO2
0	0	VIDEO1
1	0	FULL-PAGE

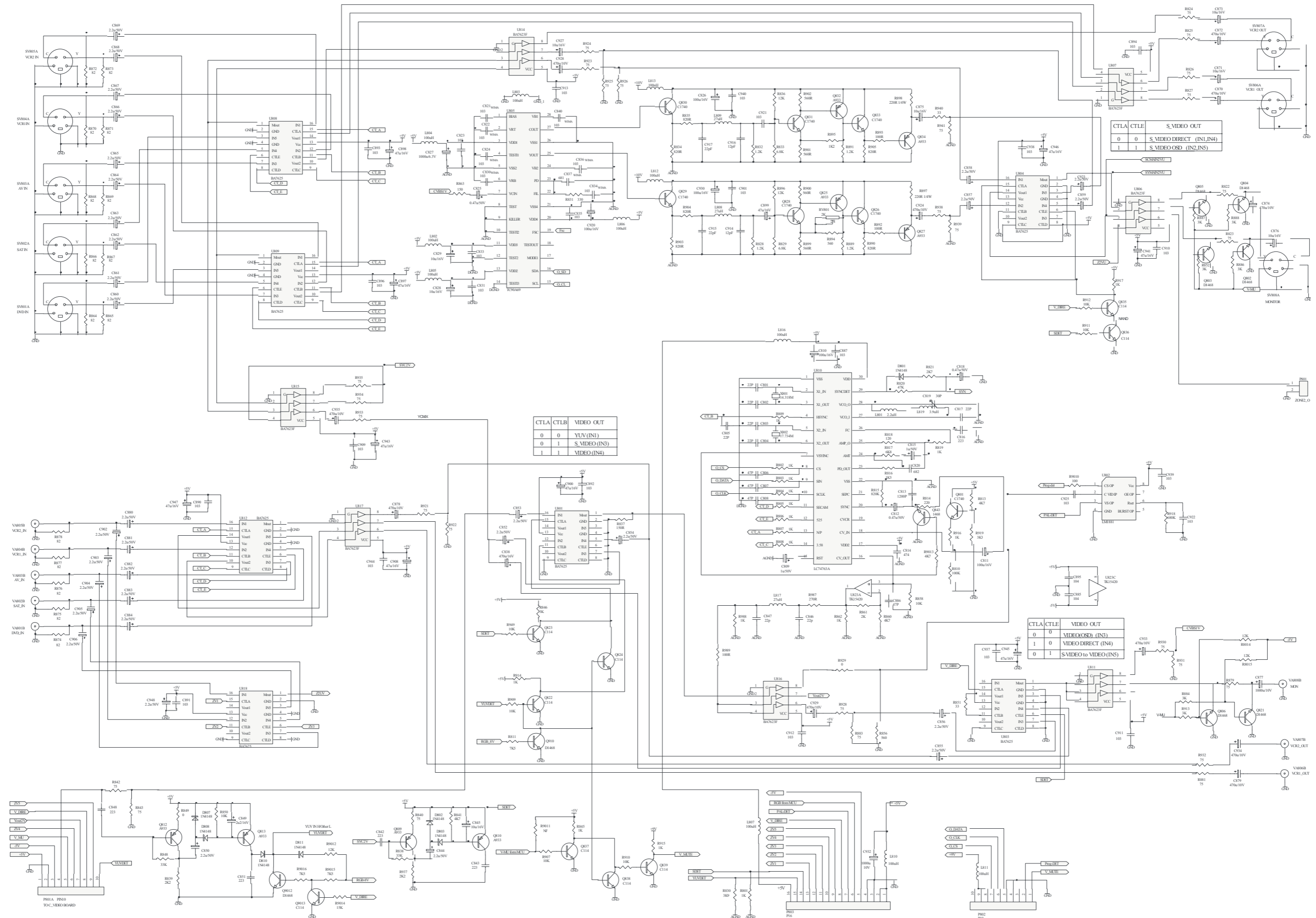
SELECT	OUT
0	S-VIDEO to YUV
1	YUV or RGB



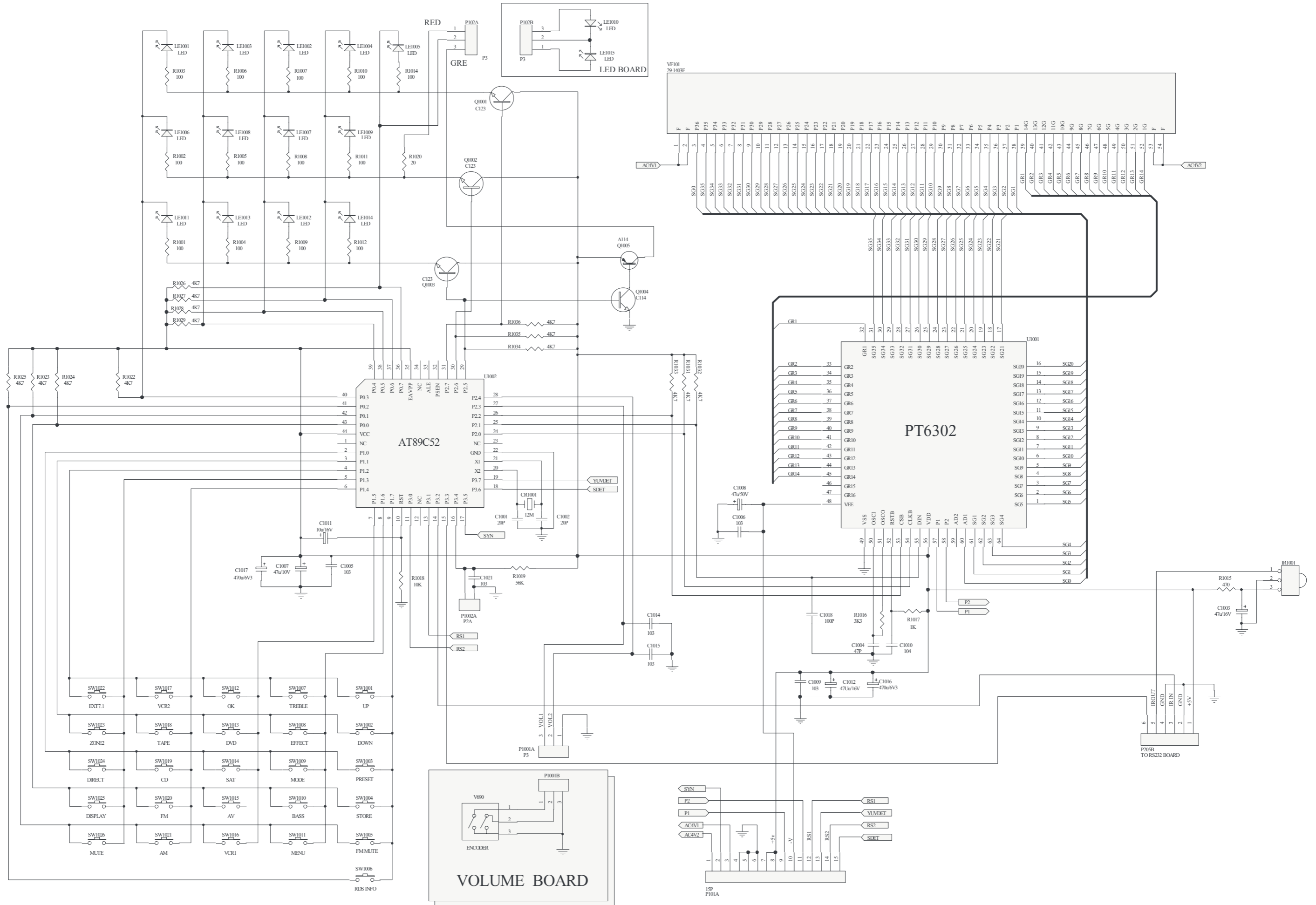
AUDIO



OSD

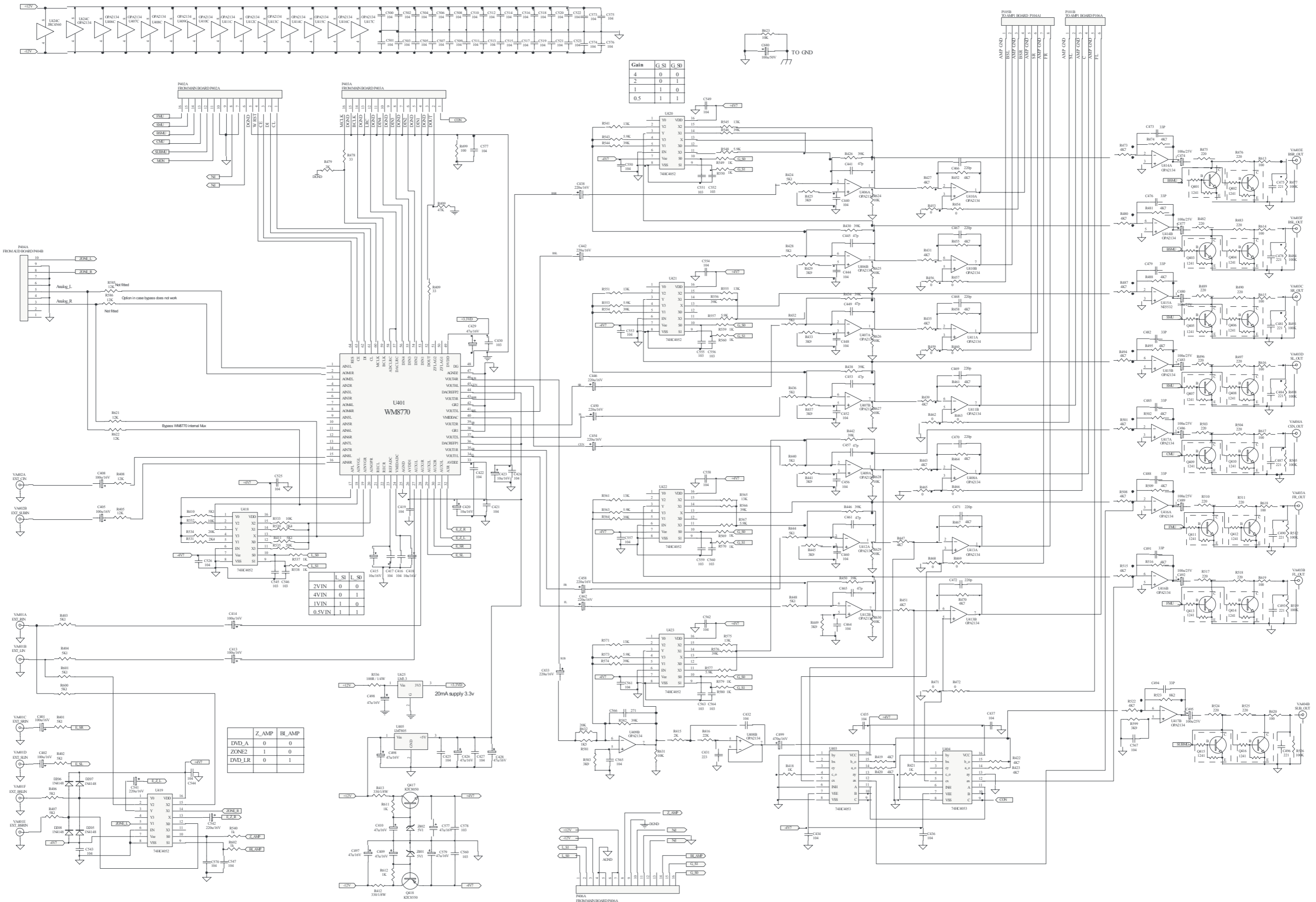


KEY

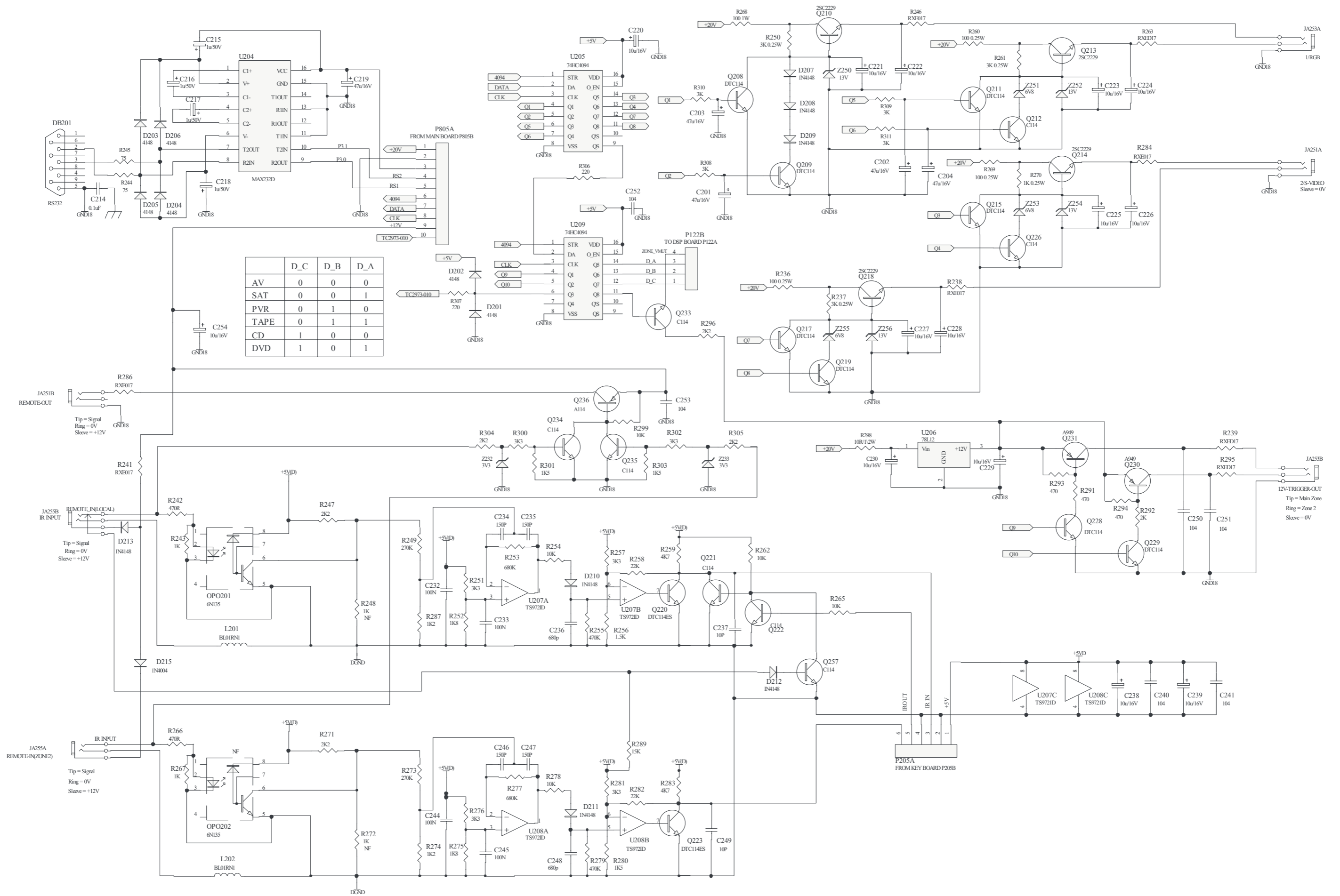


ARCAM AVR350 SURROUND SOUND RECEIVER

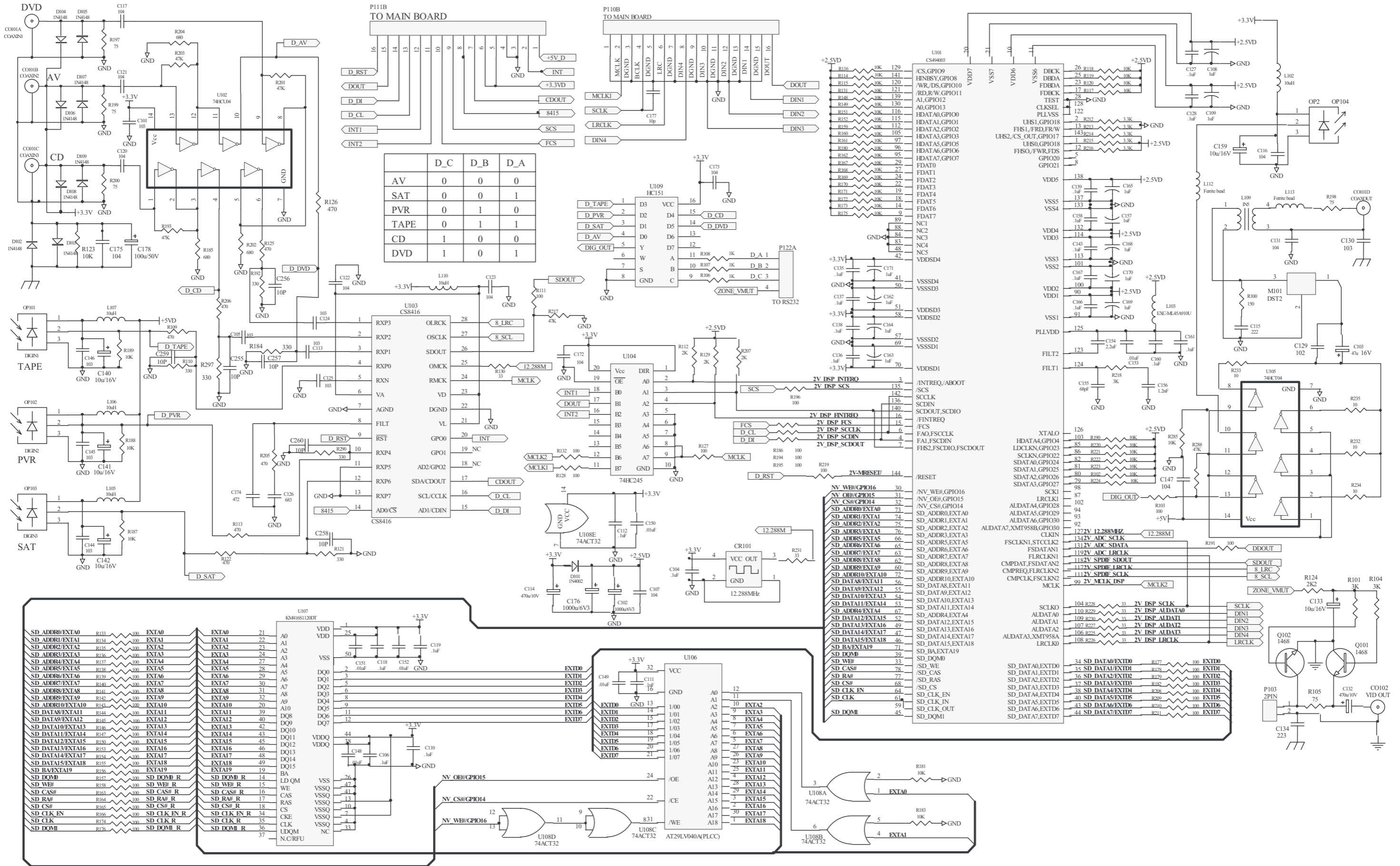
MULTI



RS232

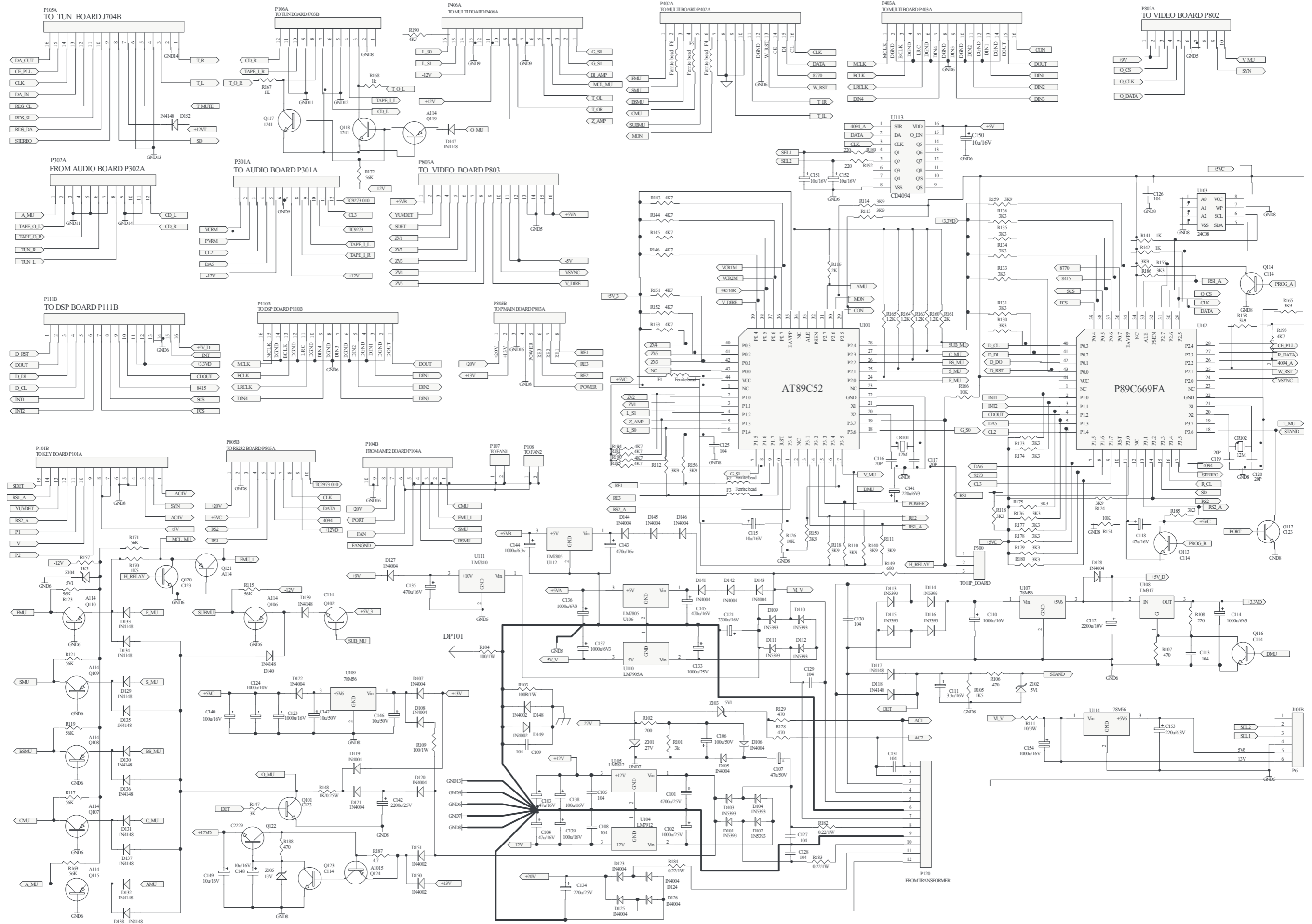


DSP

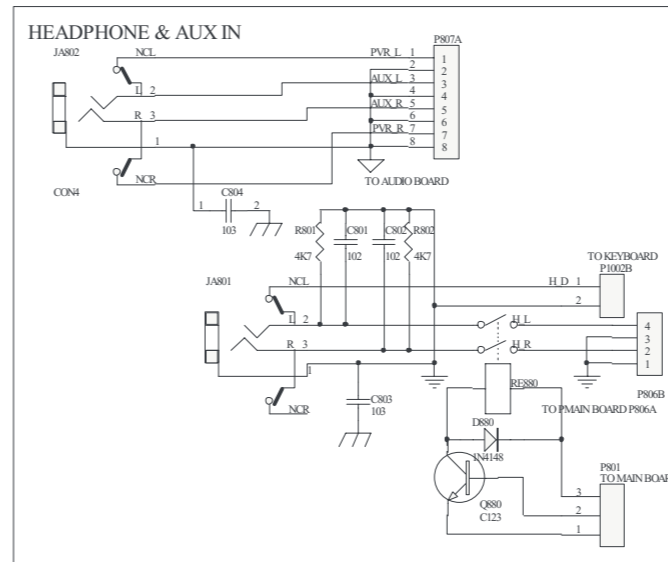
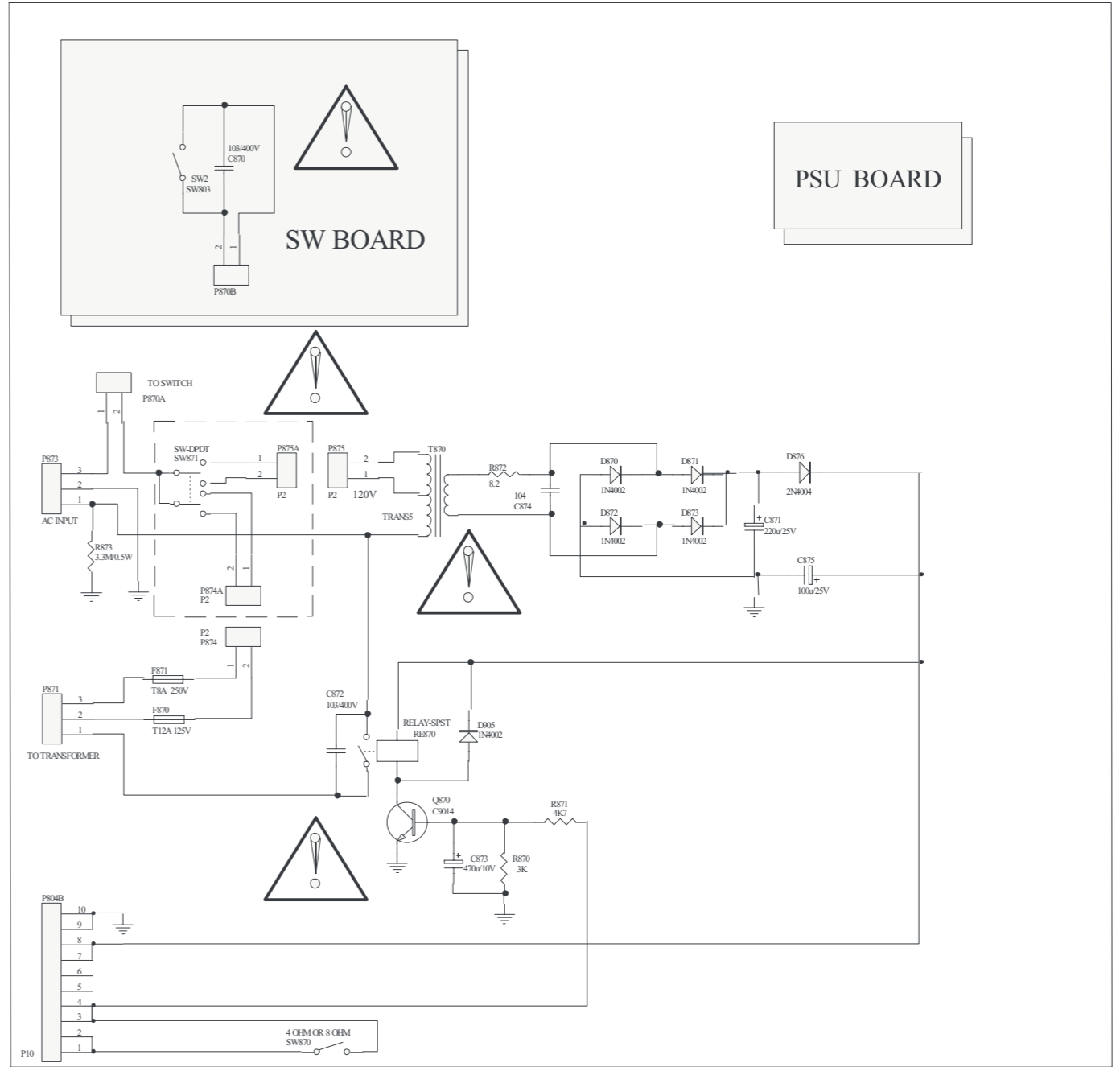
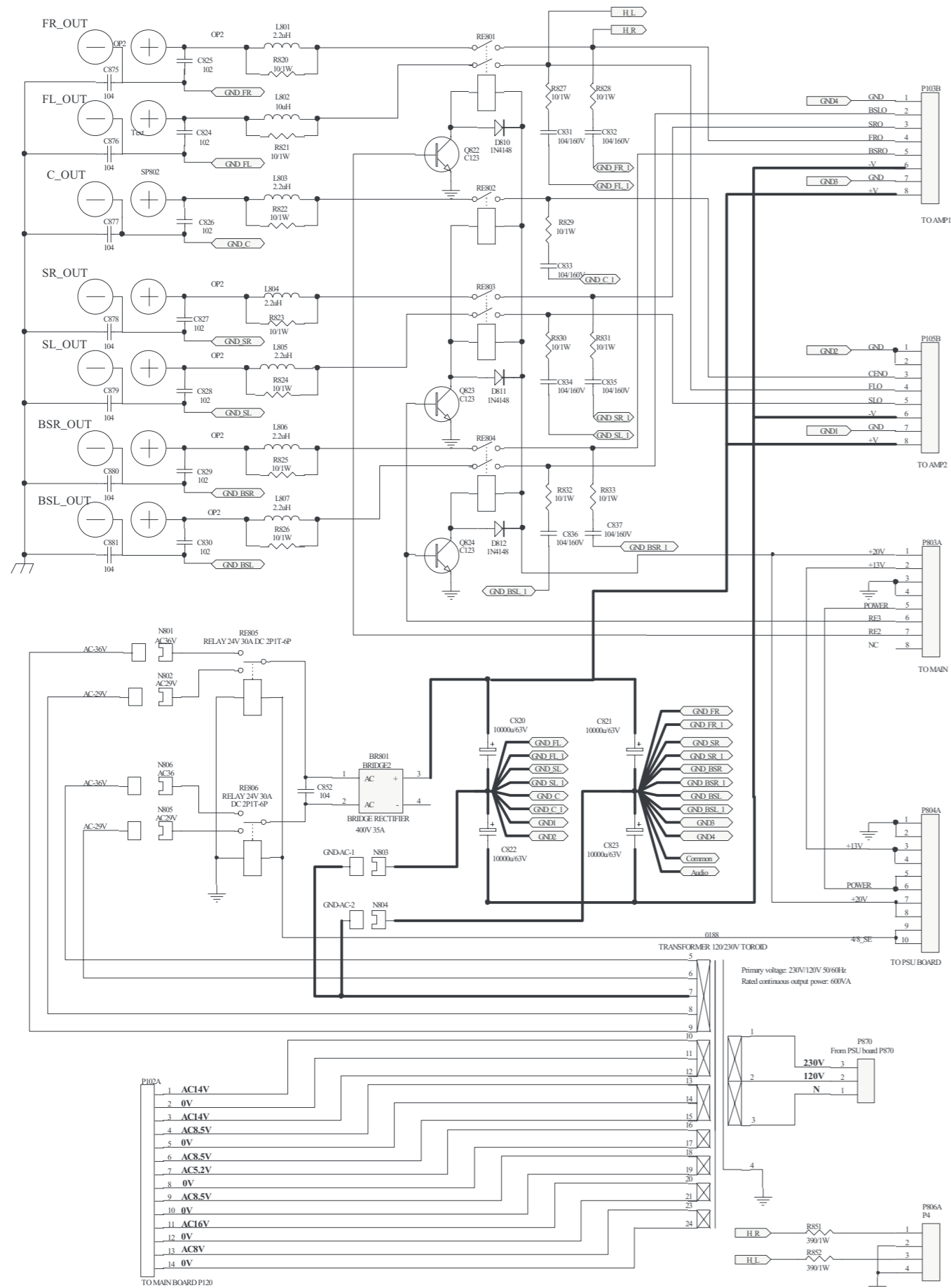


	D_C	D_B	D_A
AV	0	0	0
SAT	0	0	1
PVR	0	1	0
TAPE	0	1	1
CD	1	0	0
DVD	1	0	1

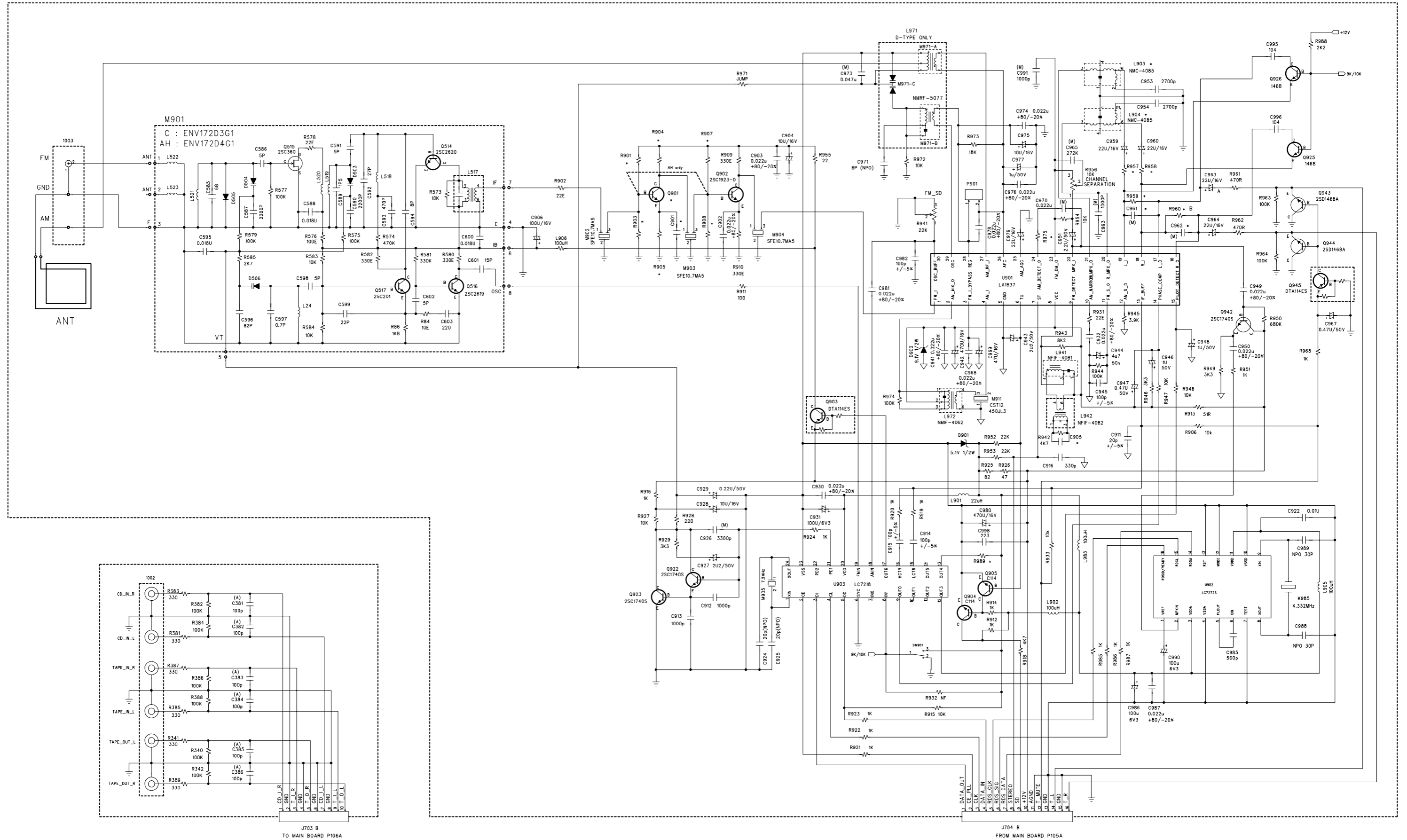
MAIN BOARD



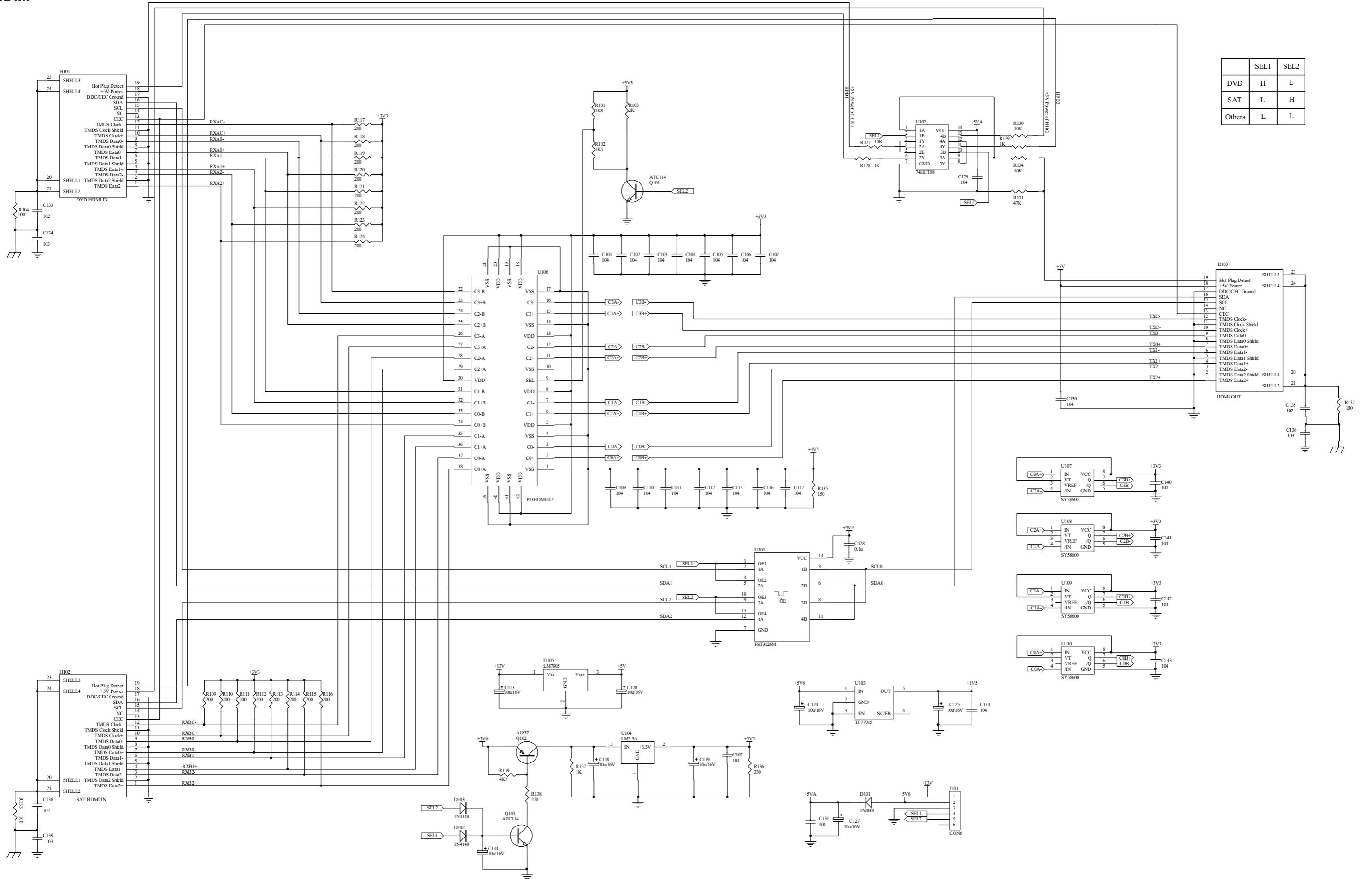
P_MAIN & PSU



TUNER

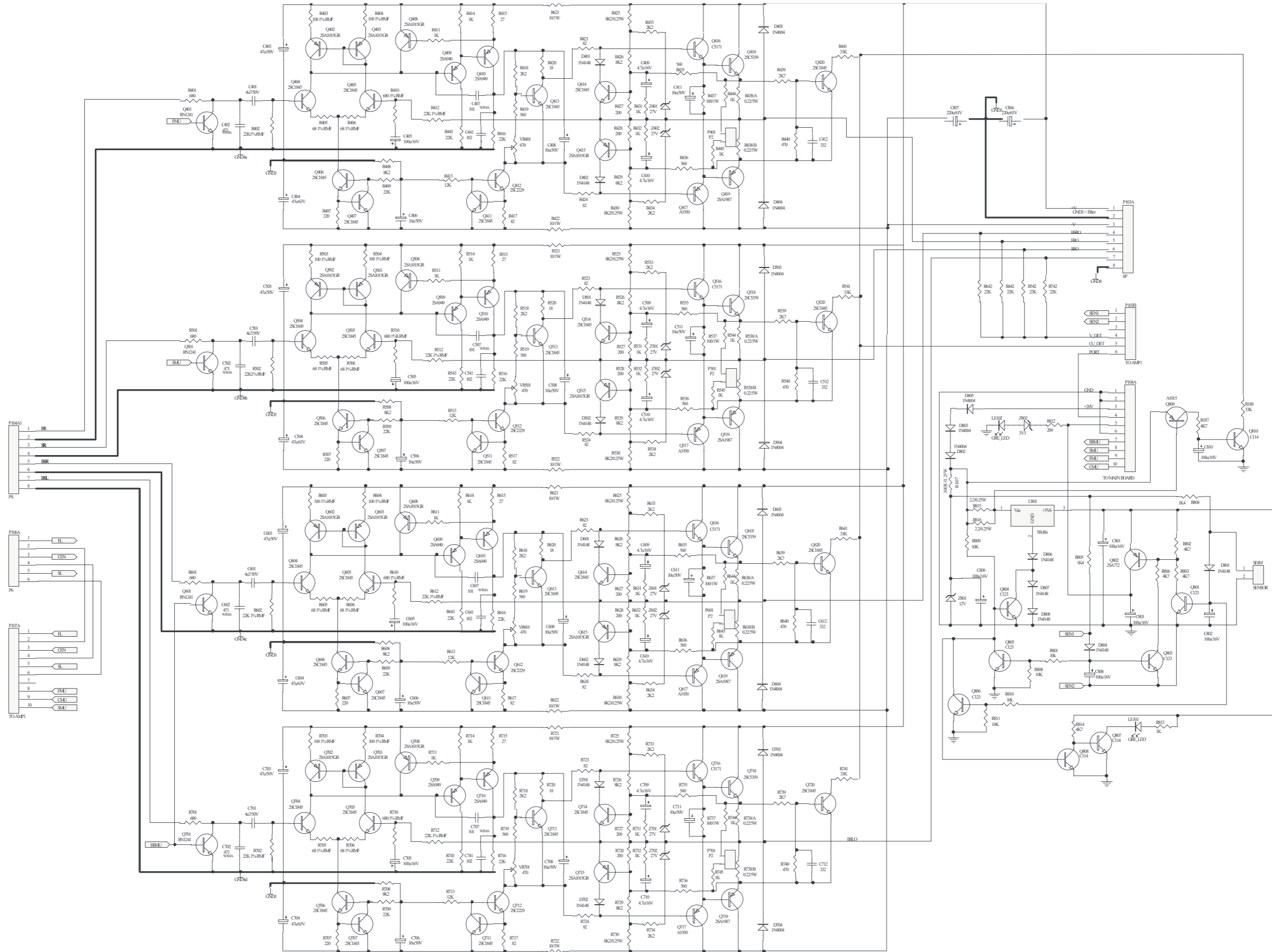


HDMI

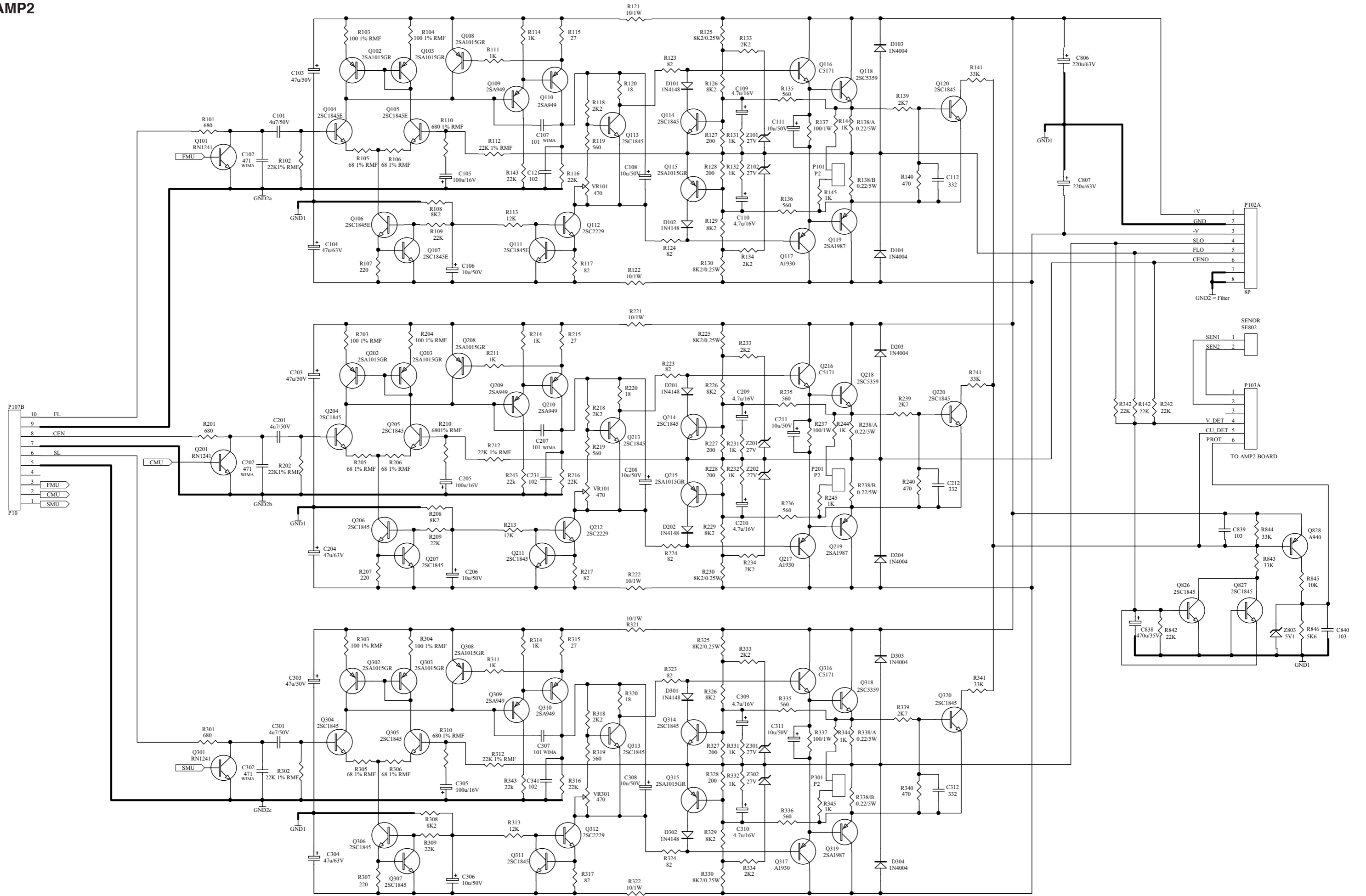


	SEL1	SEL2
DVD	H	L
SAT	L	H
Others	L	L

AMP1



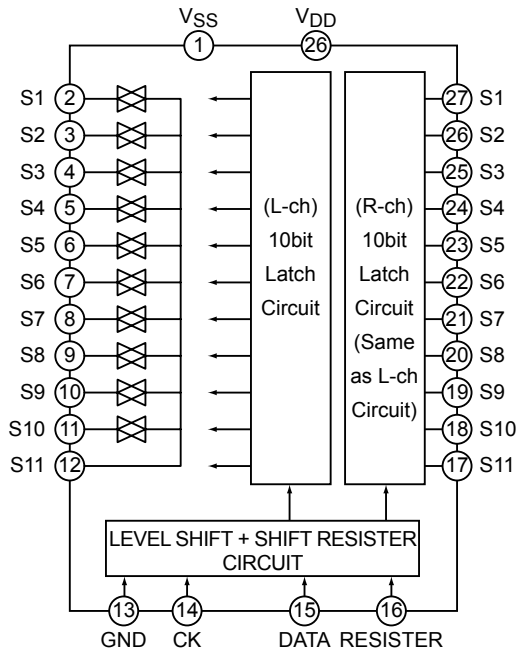
AMP2



IC BLOCK DIAGRAM

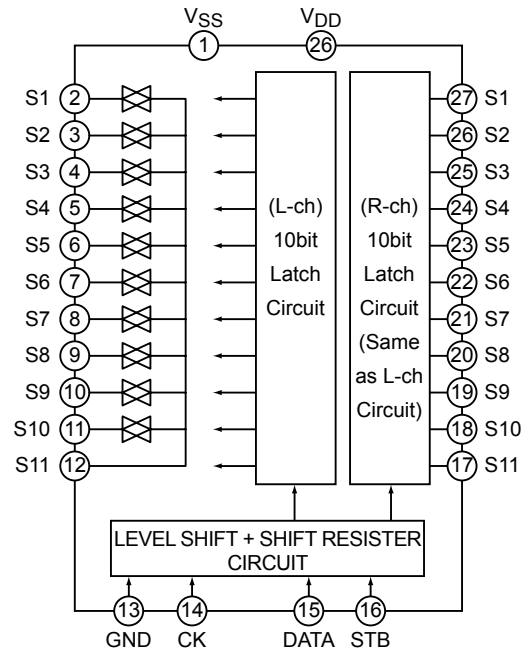
AUDIO BOARD

U3001: TC9273N-004



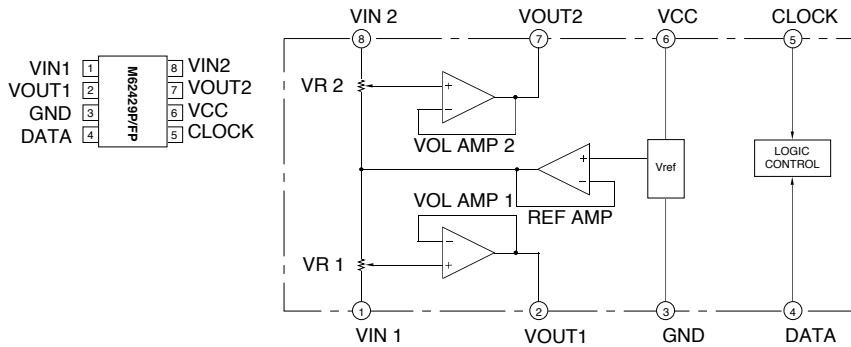
AUDIO BOARD

U3006: TC9273CNG-010



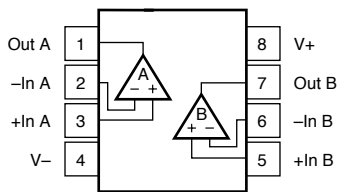
AUDIO BOARD

U3002: M62429FP



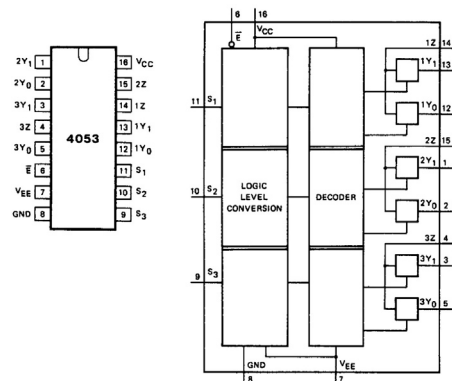
AUDIO BOARD

U3005, U3007, U3008, U3010: OPA2134UA/2K5



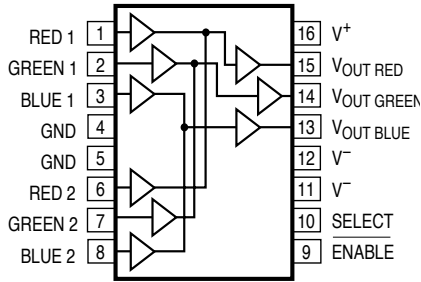
AUDIO BOARD

U3003, U3004: CD74HC4053M96



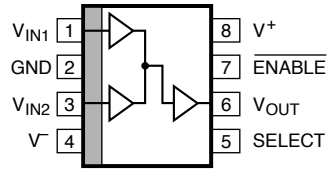
COM-VIDEO BOARD

U201, U202, U204: LT1675CGN



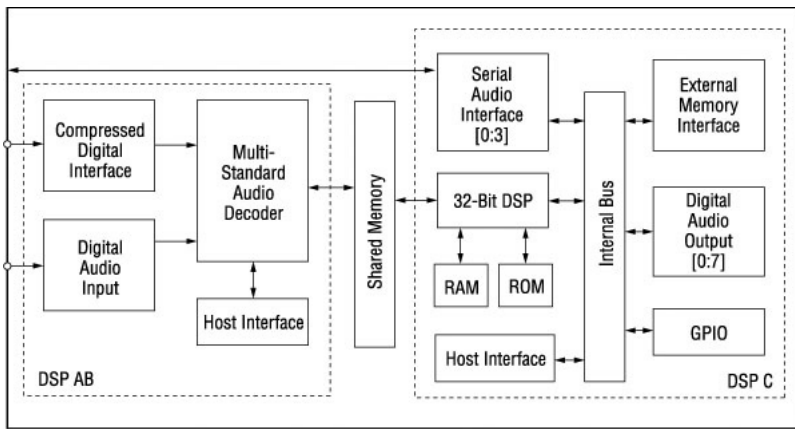
COM-VIDEO BOARD

U203: LT1675CS8-1



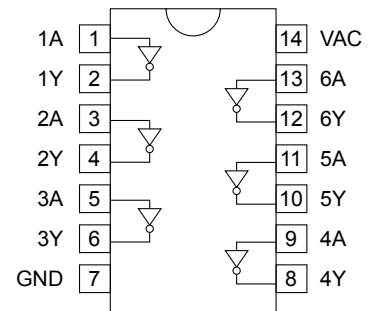
DSP BOARD

U101: CS494003-CQZ



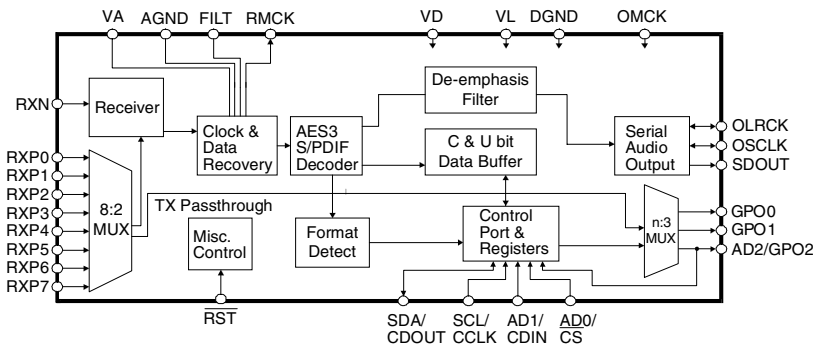
DSP BOARD

U102, U105: 74HCU04D



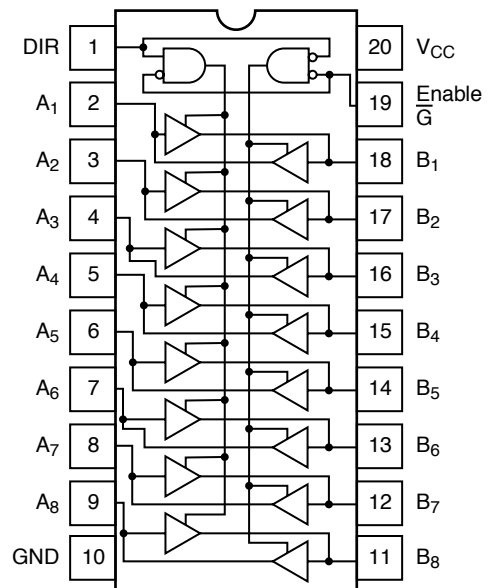
DSP BOARD

U103: CS8416-CSZ



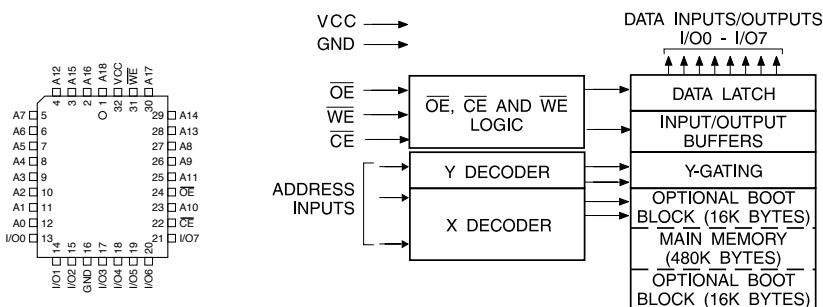
DSP BOARD

U104: 74HC245



DSP BOARD

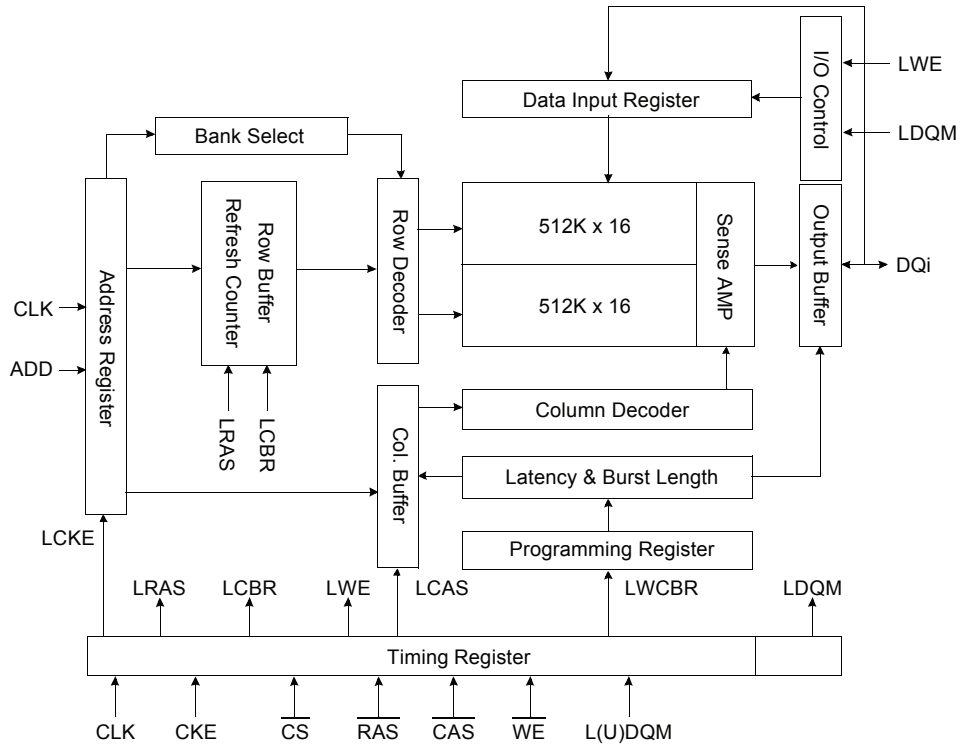
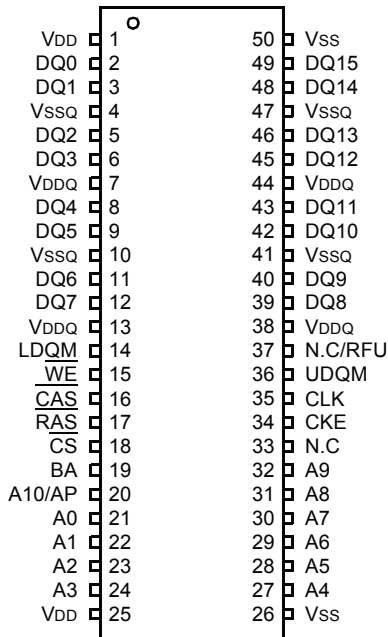
U106: 29LV040A-15JU



ARCAM AVR350 SURROUND SOUND RECEIVER

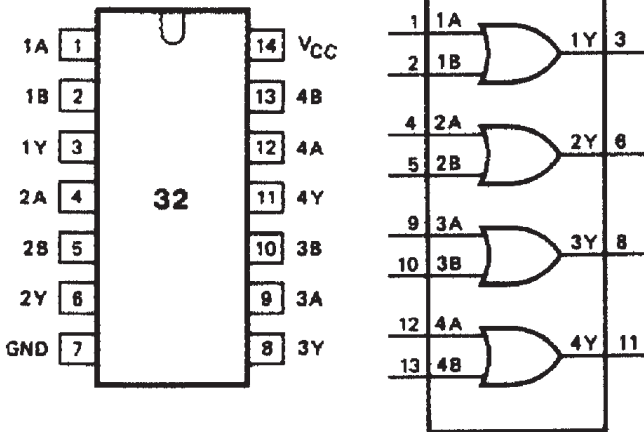
DSP BOARD

U107: K4S161622H



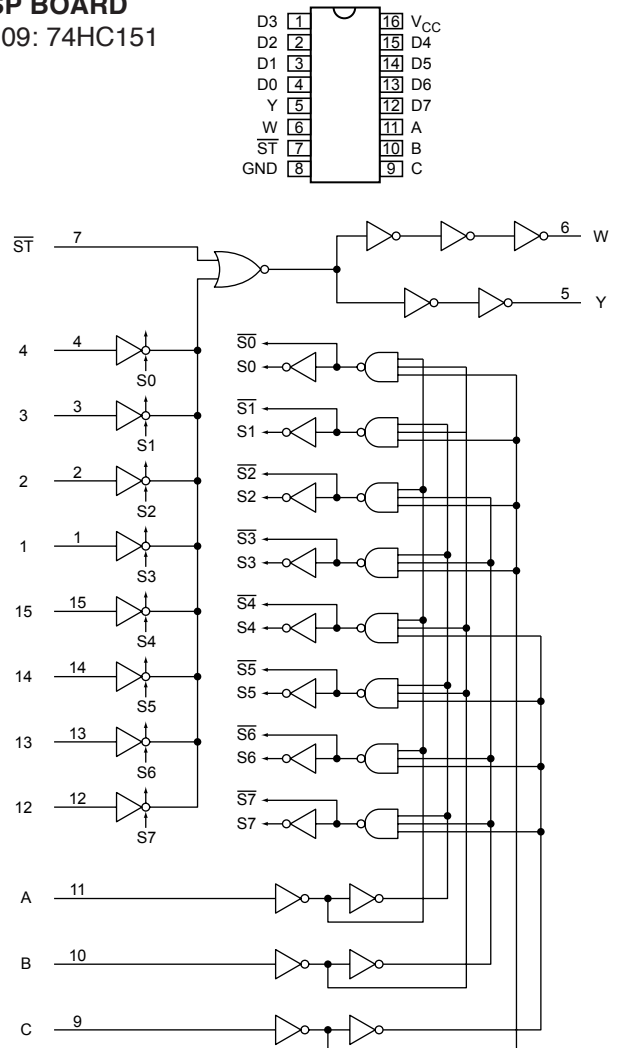
DSP BOARD

U108: SN74AC32



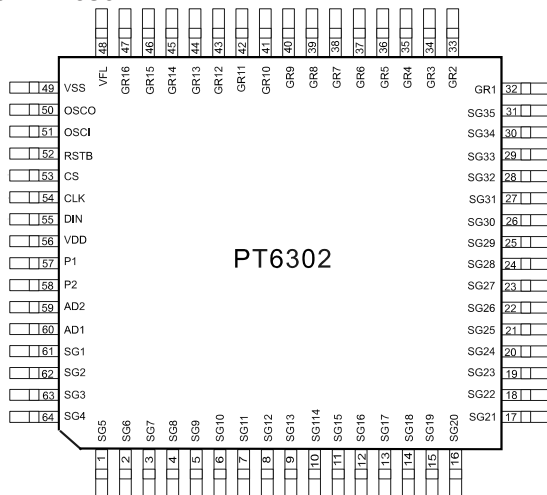
DSP BOARD

U109: 74HC151



KEY BOARD

U1001: PT6302



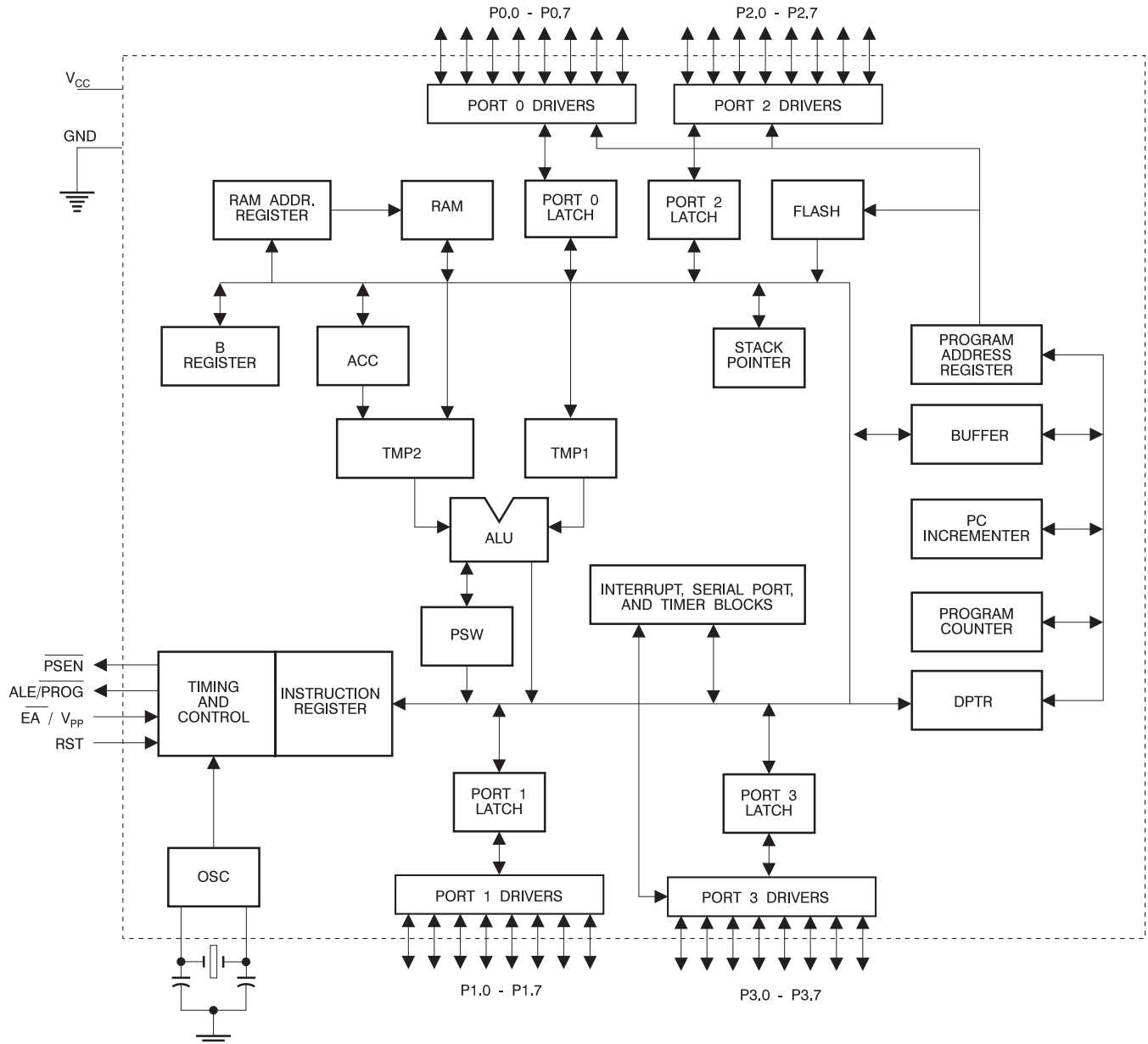
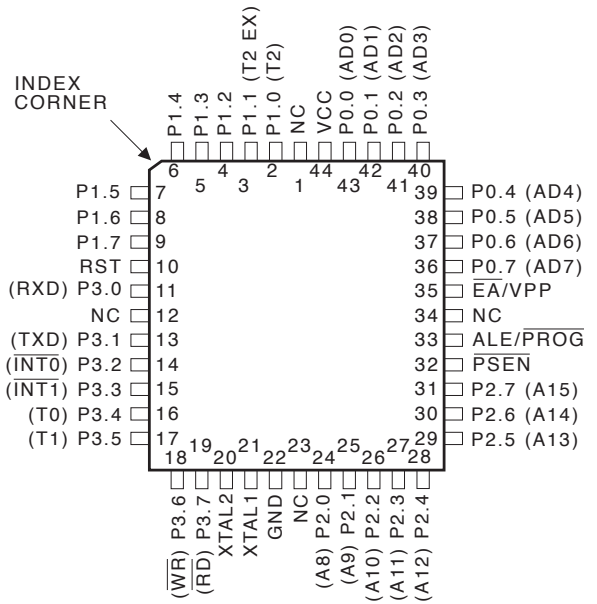
ARCAM AVR350 SURROUND SOUND RECEIVER

KEY BOARD

U1002: AT89S52

MAIN BOARD

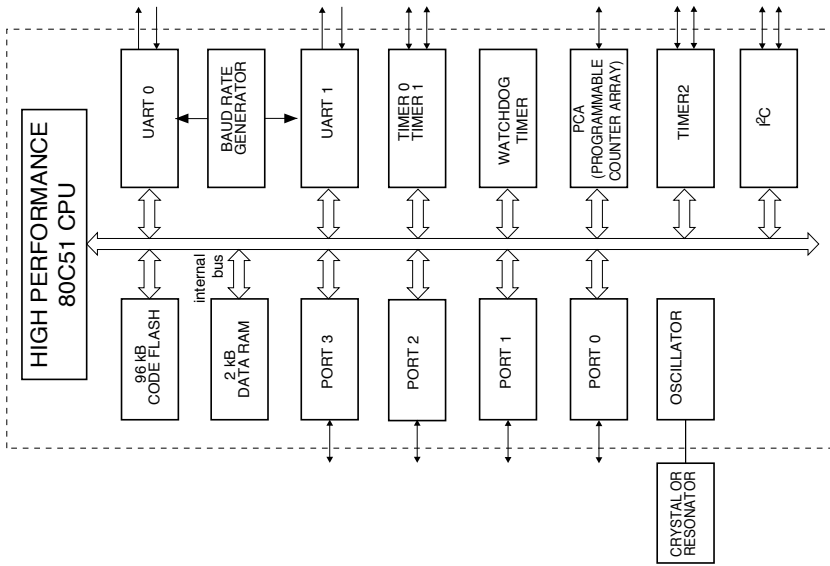
U101: AT89S52



ARCAM AVR350 SURROUND SOUND RECEIVER

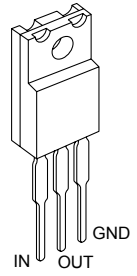
MAIN BOARD

U102: P89C669FA



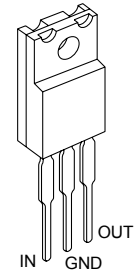
MAIN BOARD

U104: NJM7912FA
U110: NJM7905FA



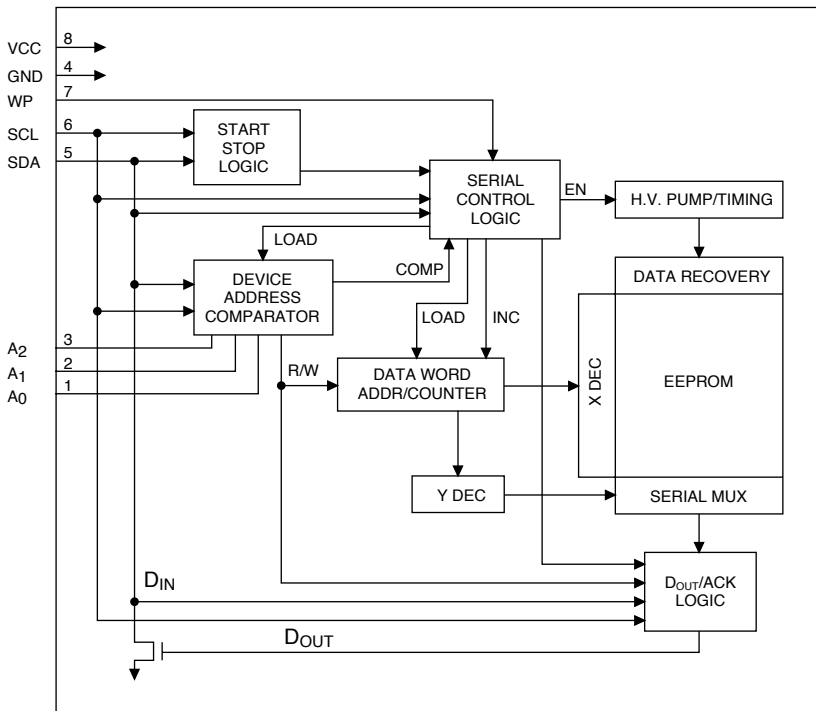
MAIN BOARD

U105: NJM7812FA
U106, U112: NJM7805FA
U107, U109, U114: NJM78M56FA
U111: KIA7810API



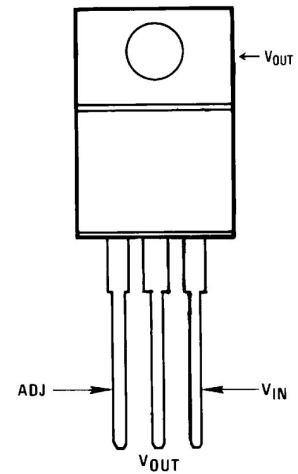
MAIN BOARD

U103: 24C08



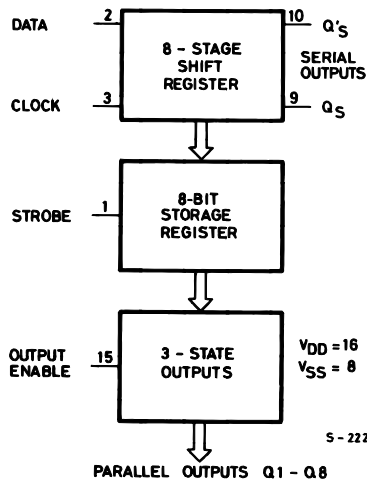
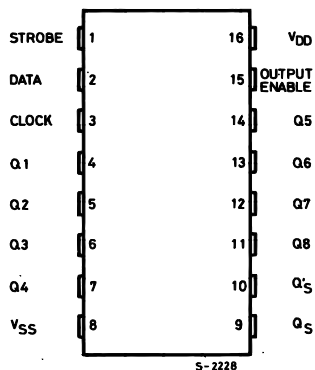
MAIN BOARD

U108: LM317T



MAIN BOARD

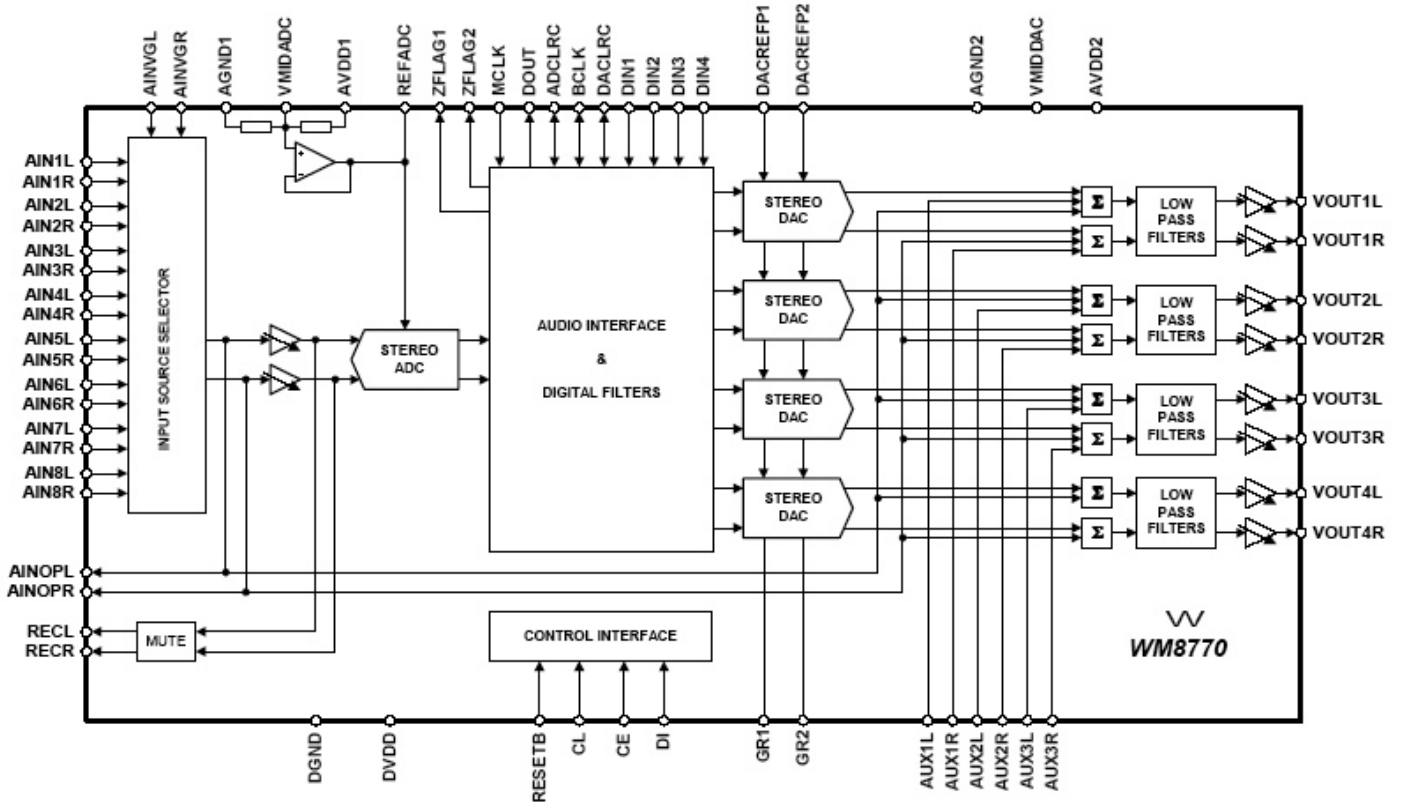
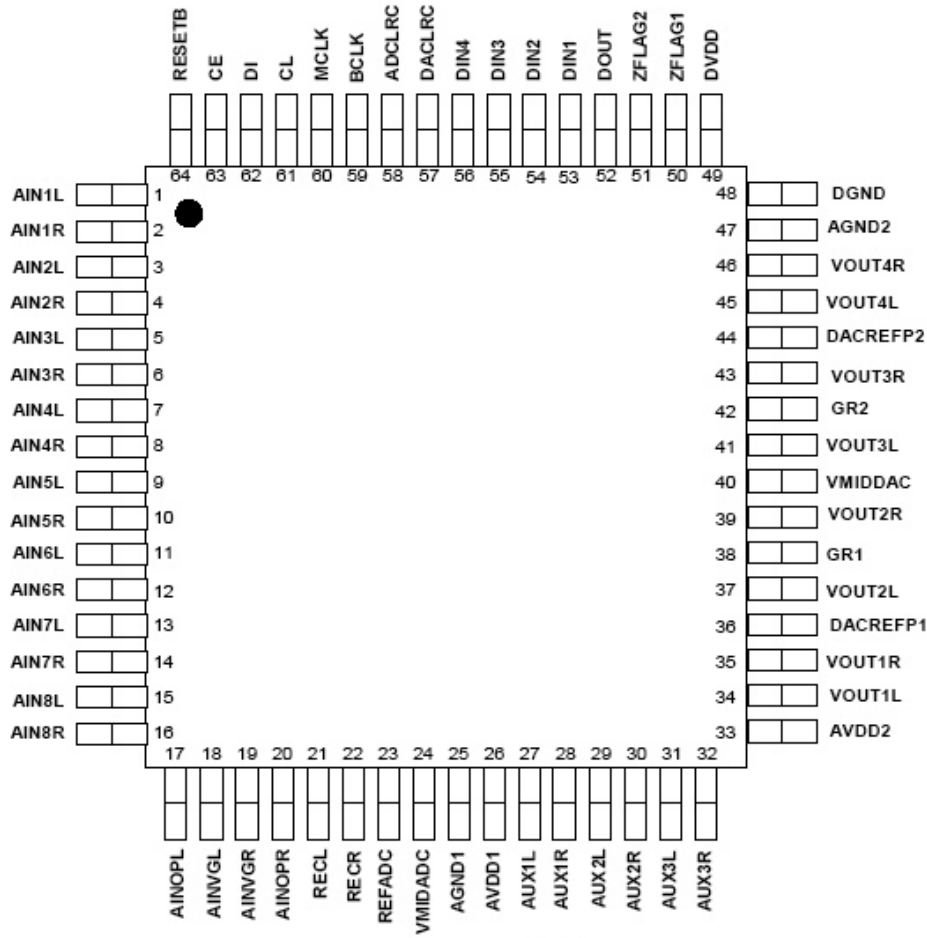
U113: BUS REGISTER HCF4094



(PINS 4,5,6,7,14,13,12,11, RESPECTIVELY)

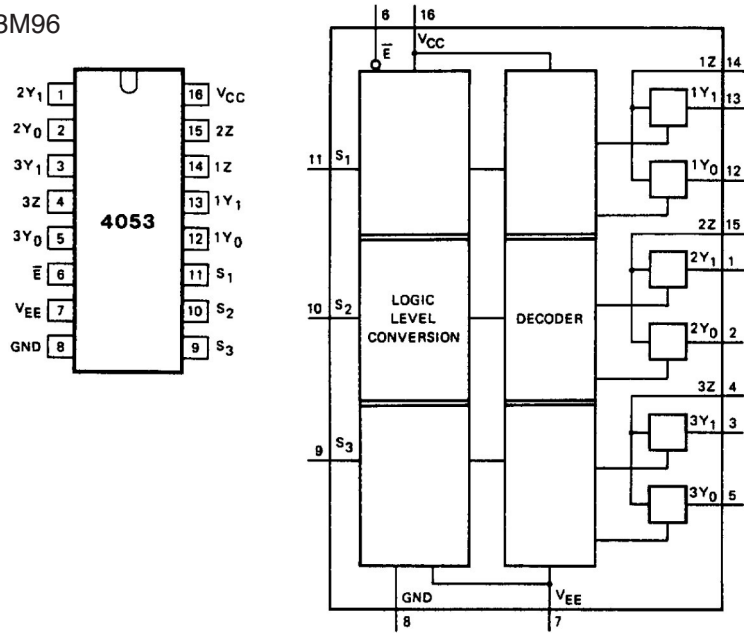
ARCAM AVR350 SURROUND SOUND RECEIVER

MULTI-CH BOARD
U401: WM8770



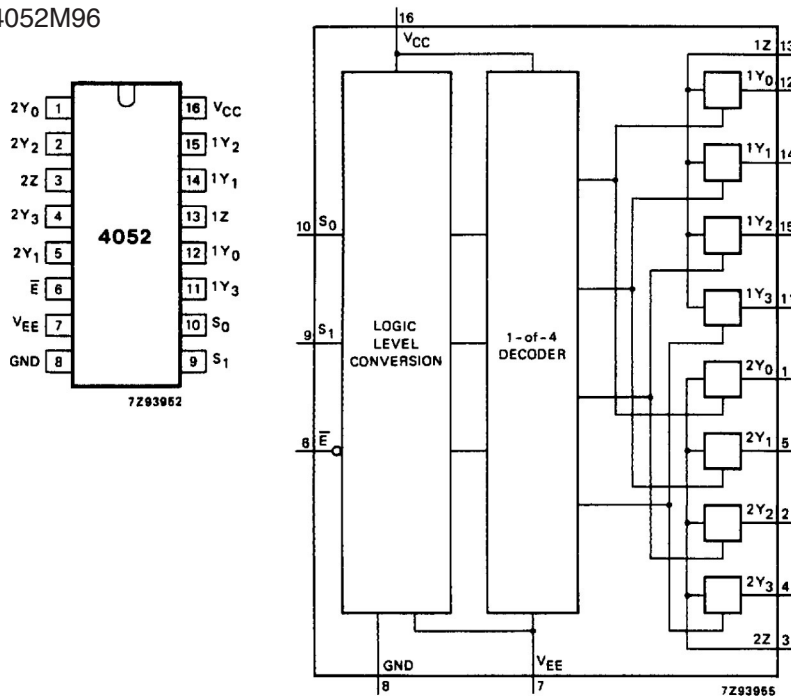
MULTI-CH BOARD

U403, U404: CD74HC4053M96



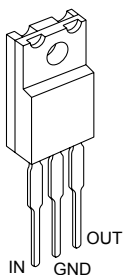
MULTI-CH BOARD

U418-U423: CD74HC4052M96



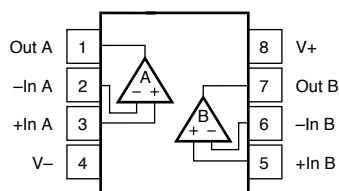
MULTI-CH BOARD

U405: NJM7805FA



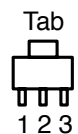
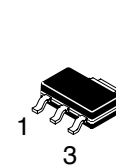
MULTI-CH BOARD

U406-U417: NJM5532M



MULTI-CH BOARD

U625: REG NCP1117ST33T3G

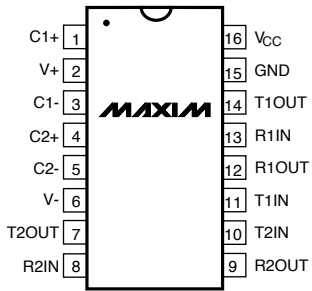


(Top View)

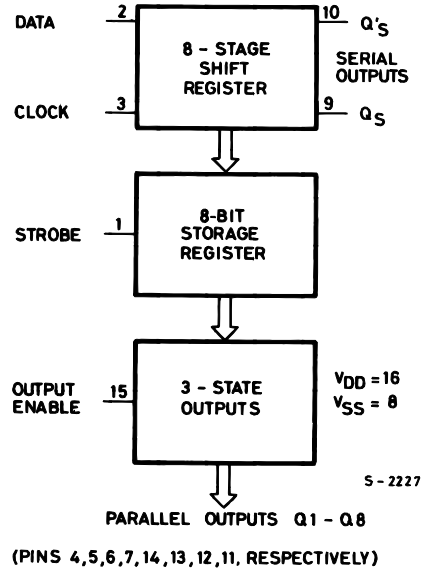
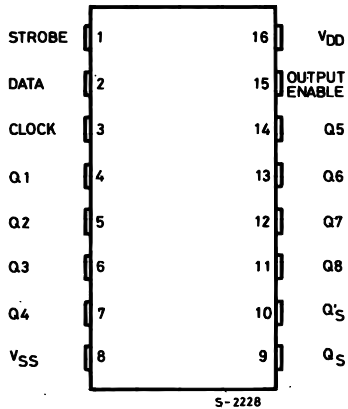
Pin: 1. Adjust/Ground
2. Output
3. Input

ARCAM AVR350 SURROUND SOUND RECEIVER

RS232 BOARD U204: MAX232D

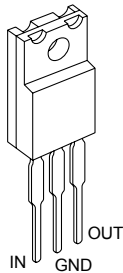


RS232 BOARD U205, U209: BUS REGISTER HCF4094

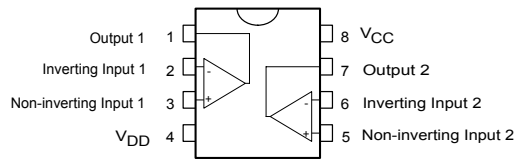


RS232 BOARD U206: NJM7812FA

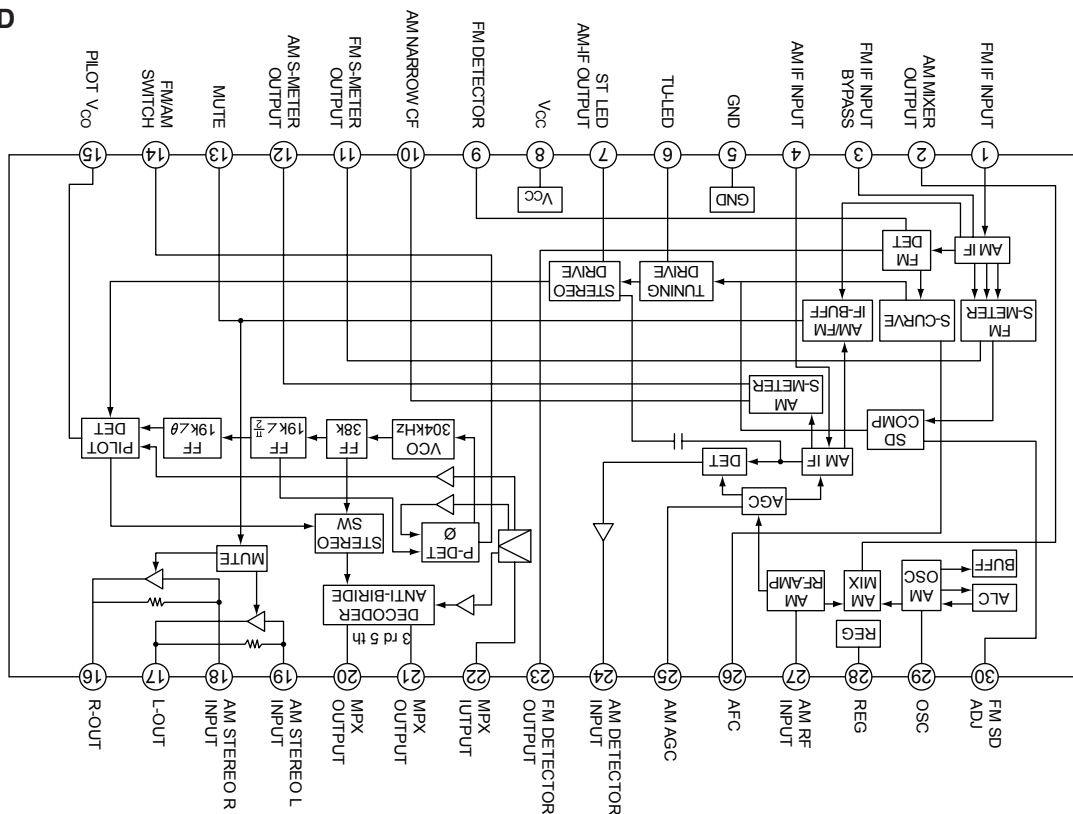
POWER BOARD U801: NJM7808FA



RS232 BOARD U207, U208: TS972ID

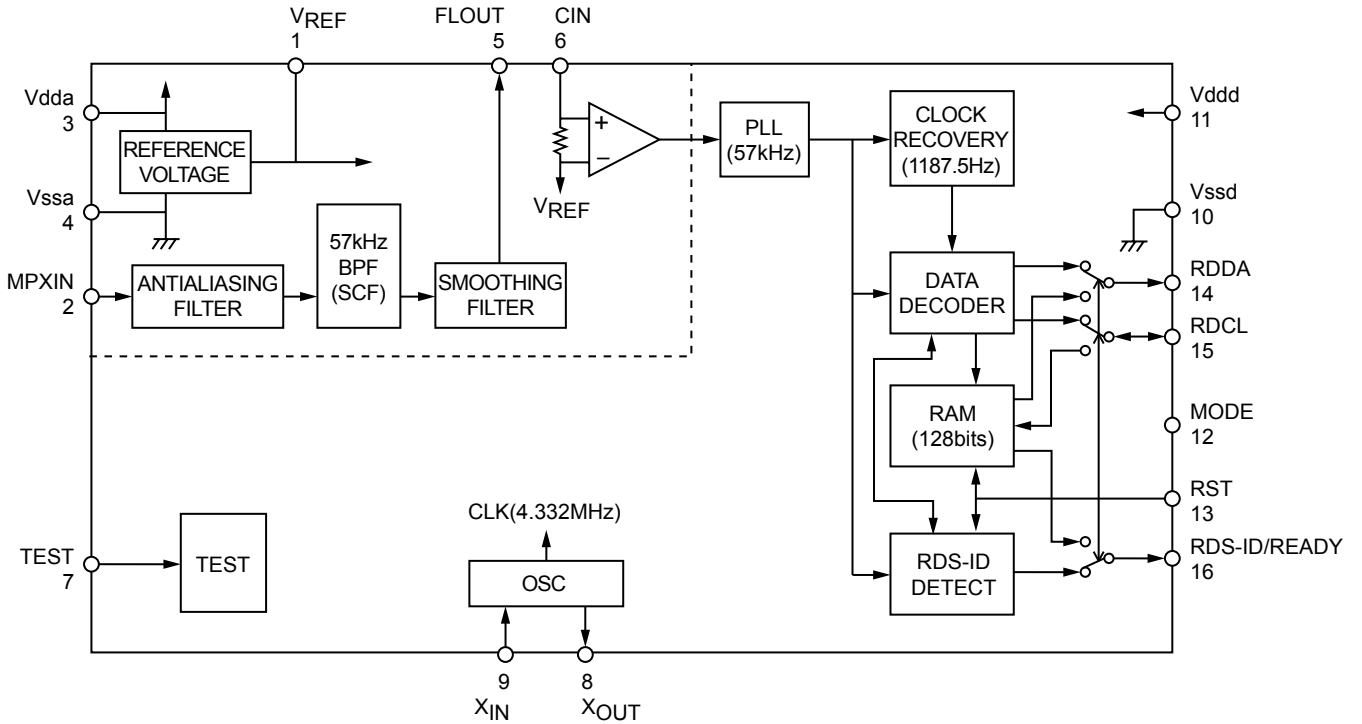


TUNER BOARD U901: LA1837

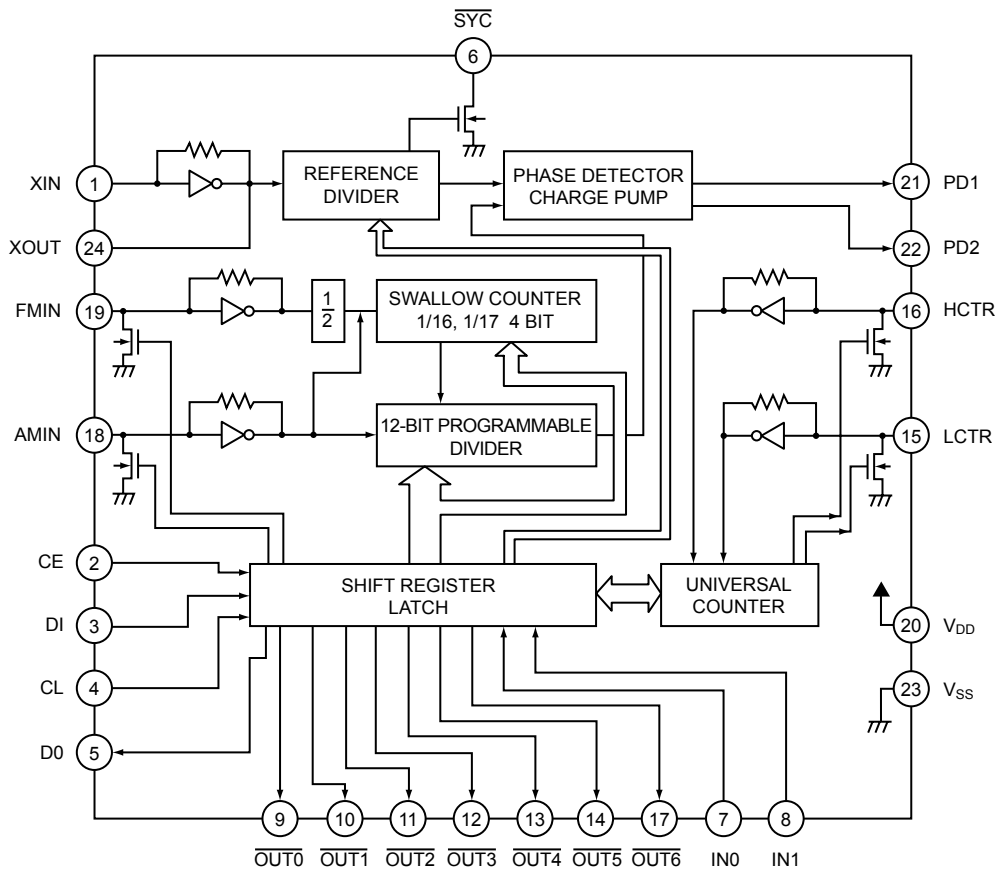


ARCAM AVR350 SURROUND SOUND RECEIVER

TUNER BOARD U902: LC72723M

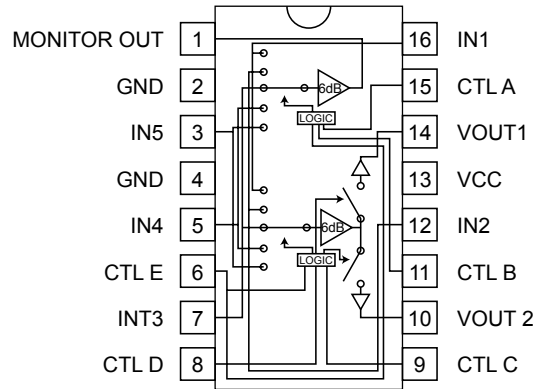


TUNER BOARD U903: LC7218



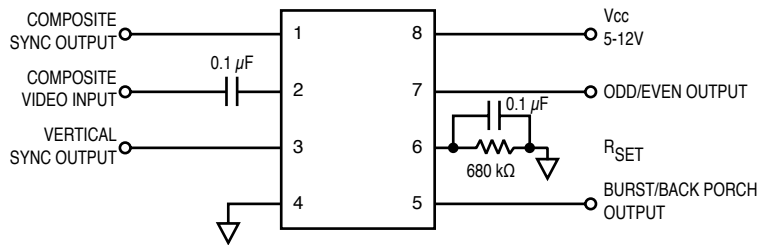
VIDEO BOARD

U801, U803, U804, U808, U809, U812, U818: BA7625



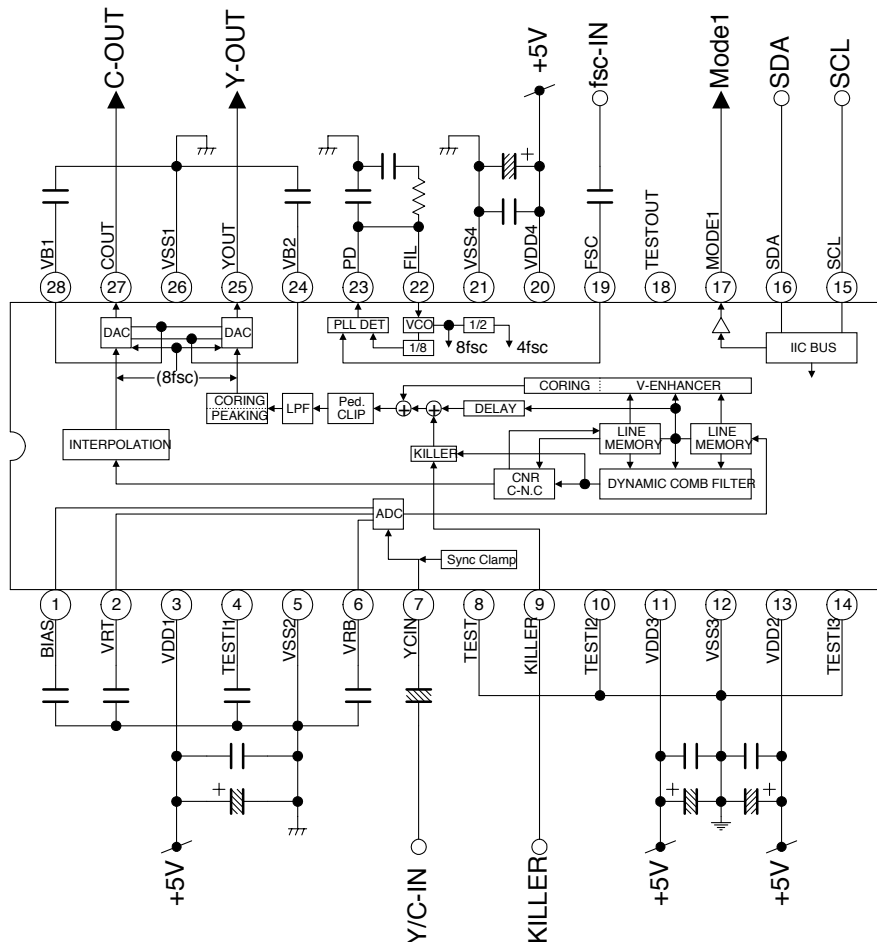
VIDEO BOARD

U802: LM1881



VIDEO BOARD

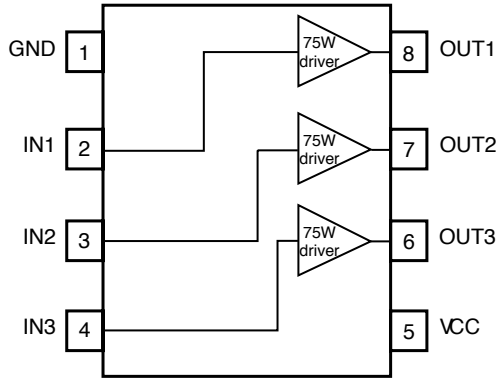
U805: TC90A69FG



ARCAM AVR350 SURROUND SOUND RECEIVER

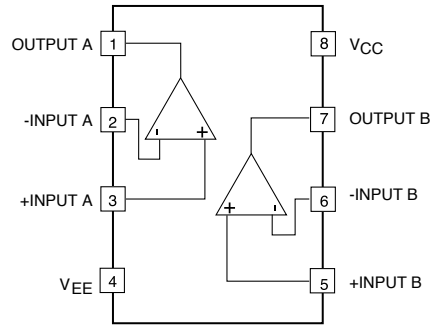
VIDEO BOARD

U806, U807, U811, U814-U817, U821: BA7623F



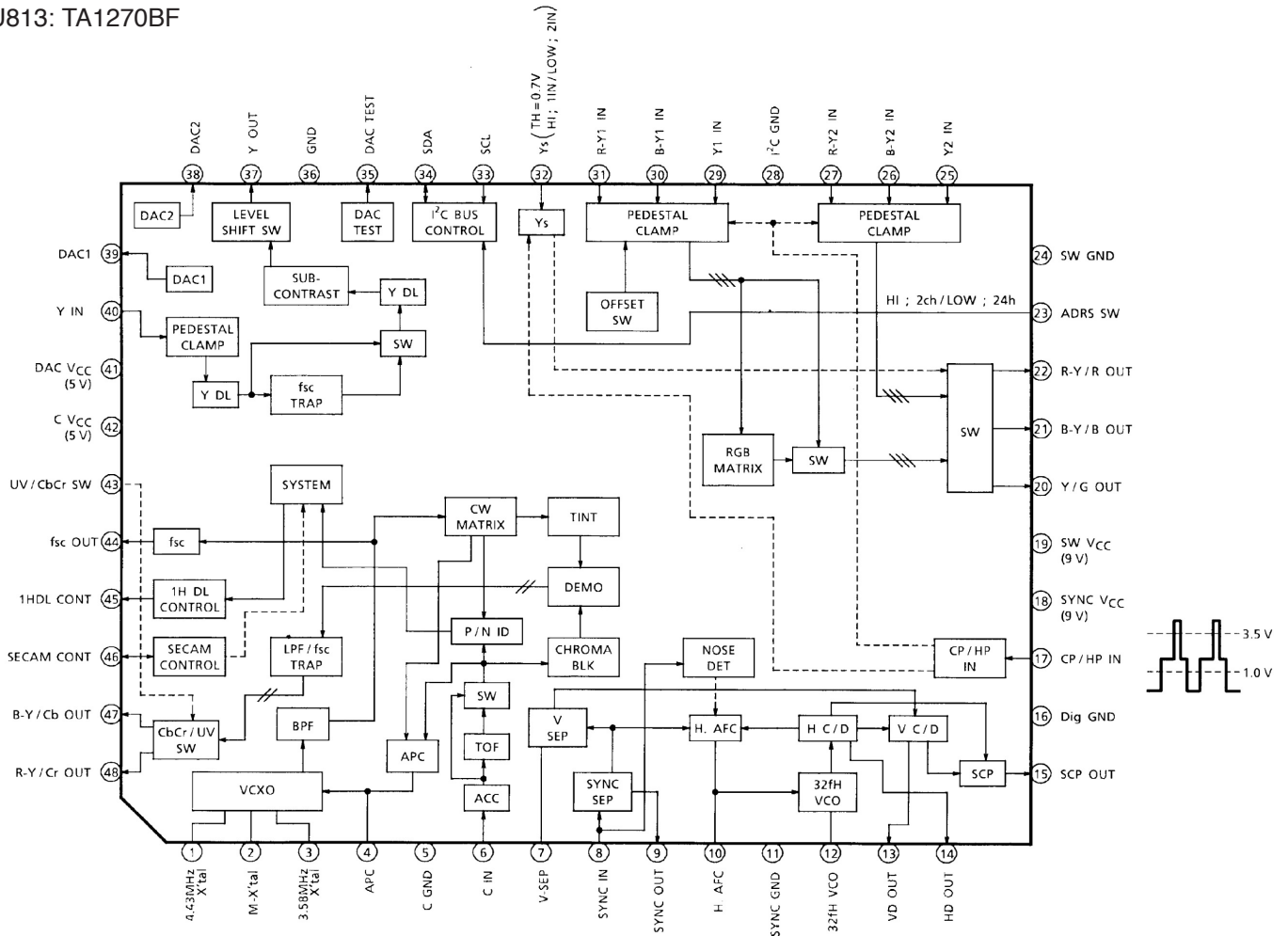
VIDEO BOARD

U819, U820, U823: TK15420M



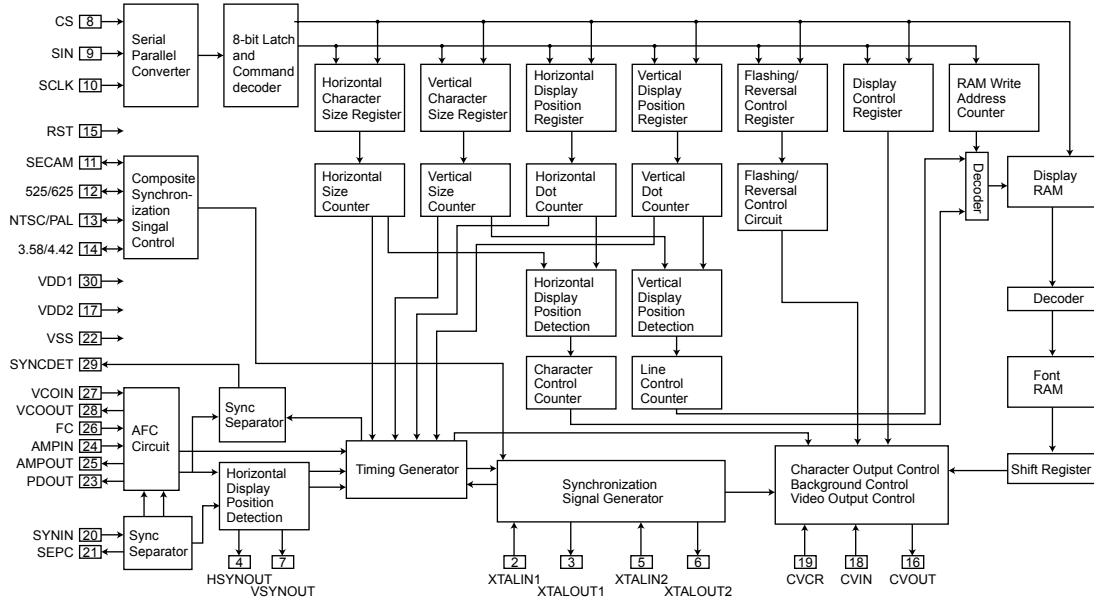
VIDEO BOARD

U813: TA1270BF



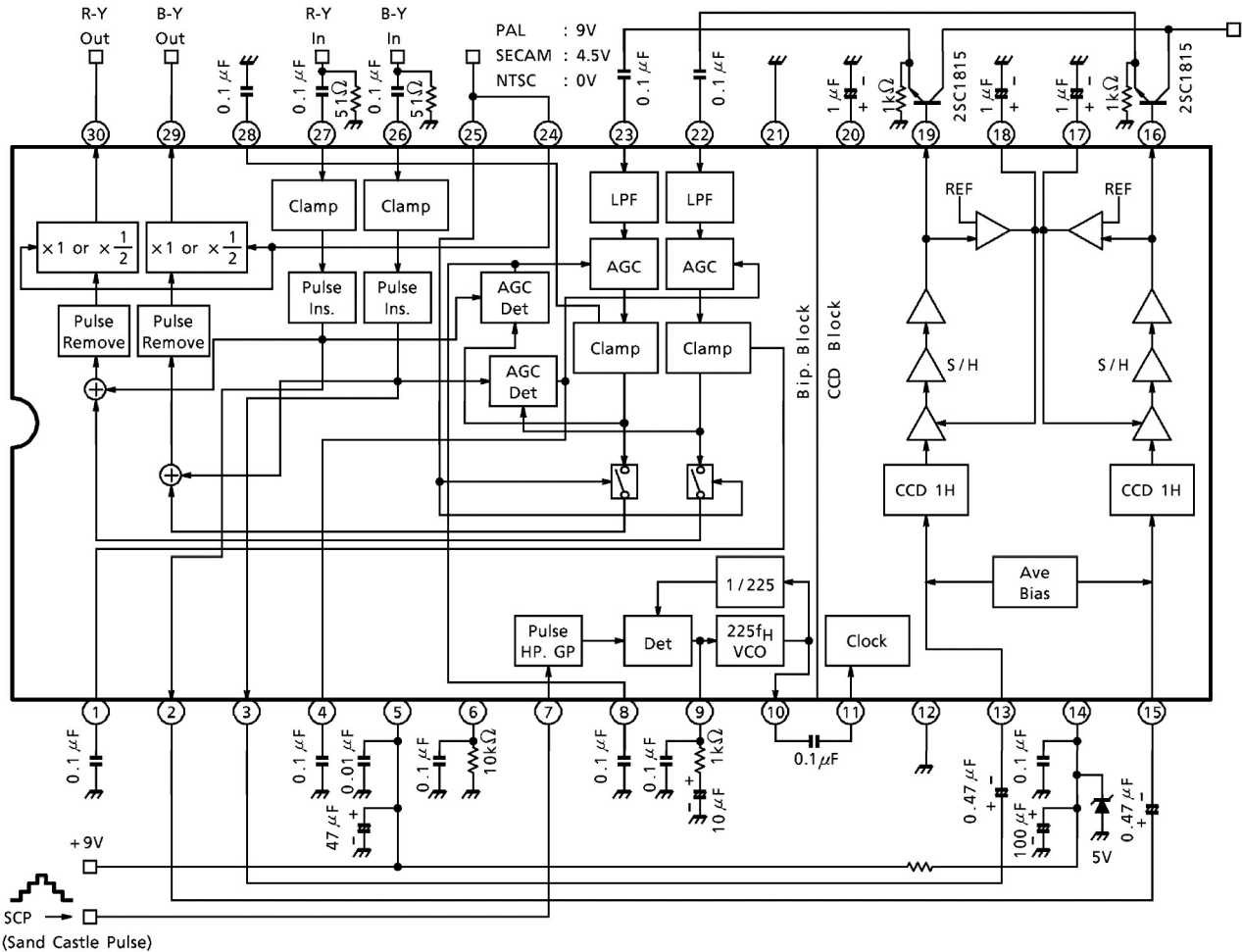
VIDEO BOARD

U810: LC74763-9012



VIDEO BOARD

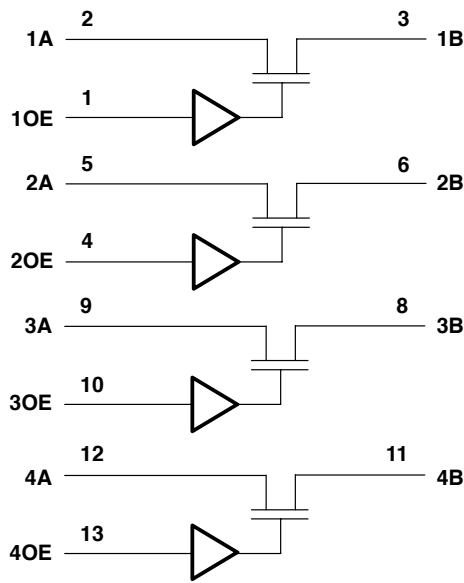
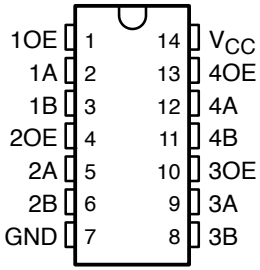
U822: TA8772AN



ARCAM AVR350 SURROUND SOUND RECEIVER

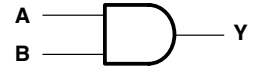
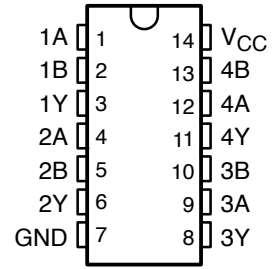
HDMI BOARD

U101: FST3126M



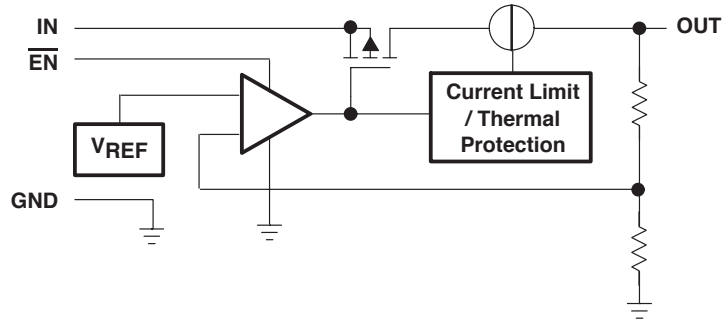
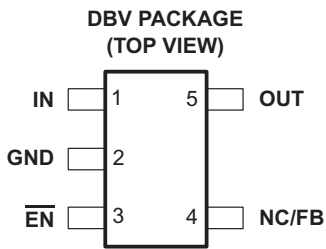
HDMI BOARD

U102: SN74HCT08DR



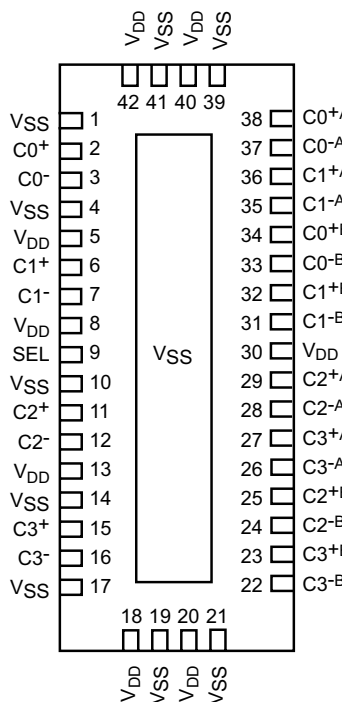
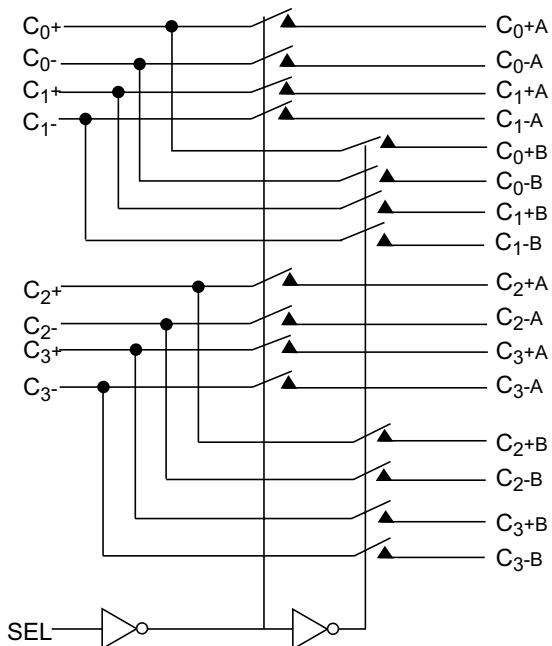
HDMI BOARD

U103: TPS77015



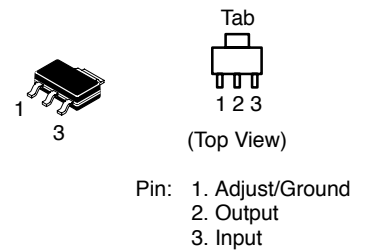
HDMI BOARD

U106: 2:1 MUX/DEMUX



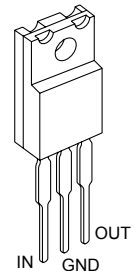
HDMI BOARD

U104: REG NCP1117ST33T3G



HDMI BOARD

U105: NJM7805



ELECTRONICS PART LIST

Reference No.	Part No.	Description
PSU ASSY		
PC BOARD		
	PCB-AV35014+PSU	PCB ASSY PSU
PCB		
	1725-833A+0000	PCB KEY/TUN/PSU/PHONE
CAPACITOR		
C871	157E-227M+K-OVI	CE 25V 220UF 20% RLT
C872	8910-0091+0	CC 400V 0.01UF +-20% RL
C873	157D-477M+K-OVI	CE 16V 470UF 20% RLT
C874	150F-104K+2-FC	CC 50V 0.1UF 10% AT
C875	157E-107M+5-KU	CE 25V 100UF 20% RL 6X11
DIODE		
D870, D871, D872, D873	4804-0040+2	DIODE IN4004-F AT
D874	4804-1480+2	DIODE 1N4148T AT
D876	4804-0040+2	DIODE IN4004-F AT
WAFER/SOCKET		
DP801	2101-1231+0	SPADE TERMINAL 6.3X0.8
P804B	2101-1801+0	SOCKET (PCB/PCB) 10P
P870	2101-1519+0	SOCKET 5P P=3.96
P874, P875	2101-1432+0	WAFER 2P P7.92 JAPAN
WIRE		
P873	7012-6737+0	CONN WIRE UL1672 18AWG
P873 *US	7012-6738+0	CONN WIRE UL1672 18AWG
TRANSISTOR		
Q901	4860-2270+5	TR 9014C SAMSUNG
RESISTOR		
R870	4711-302A+2	RMF 1/8W 3K 1% AT
R871	4711-472A+2	RMF 1/8W 4.7K 1% AT
R872	4717-2R2J+2-F	RMF 1/2W 2.2R 5% AT
R873	4717-335J+2-S	RMF 1/2W 3.3M 5% AT UL
RELAY		
RE870	4500-0590+0	RELAY 12VPC 250VAC 20A
SWITCH		
SW870	5200-3281+0-06	SW COMAX

ARCAM *AVR350 SURROUND SOUND RECEIVER*

<u>Reference No.</u>	<u>Part No.</u>	<u>Description</u>
TRANSFORMER		
T870	1806-2501+1	EI-35 TRANSFORMER GTP750
FUSE		
F870	5120-0506+0	FUSE T12.5A 250V UR
F871	5120-0058+0	FUSE T8A/250V 5X20MM UL
MISCELLANEOUS		
F870, F871	4132-1011+0	FUSE HOLDER
NTC1 *US	8910-0275+0	THERMAL NTC 30A 1 ohm
J34 *EU/UK/AUS	5202-0009+0	NTC THERMISTER SCK-0512
TUNER SUPPLY ASSY		
PC BOARD		
	PCB-AV35014+TUN	PCB ASSY TUNER SUPPLY
PCB		
	1725-833A+0000	PCB KEY/TUN/PSU/PHONE
CAPACITOR		
	150F-104K+2-FC	CC 50V 0.1UF 10% AT
C381, C382, C383, C384, C385, C386	150F-101K+2-FC	CC 50V 100pF 10% AT 3.5x
C901, C902, C903	150F-223K+2-FD	CC 50V 0.022uF 10% AT
C904	157D-106M+K-IUI	CE 16V 10UF 20% RLT 5X11
C906	157D-107M+K-IUI	CE 16V 100UF 20% RLT
C911	150F-200J+5-GG	CC 50V 20pF 5% RL 4x4
C912, C913	150F-102K+5-IF	CC 50V 1000pF 10% RL 5x3
C914, C915	150F-101J+5-IF	CC 50V 100pF 5% RL 5x3.5
C916	150F-331K+5-GE	CC 50V 330pF 10% RL 4x3
C922	150F-103K+5-II	CC 50V 0.01uF 10% RL 5x5
C924, C925	15CH-200J+5-GG	CTC 0/60 20pF 5% RL 4x4
C926	153F-333J+5-NLM	CM 50V 0.033uF 5% RL 7.5
C927	157F-225M+K-IUI	CE 50V 2.2U 20% RLT
C928	157D-106M+K-IUI	CE 16V 10UF 20% RLT 5X11
C929	157F-224M+K-IUI	CE 50V 0.22UF 20% RLT
C930	150F-223K+2-FD	CC 50V 0.022uF 10% AT
C931	157D-107M+K-IUI	CE 16V 100UF 20% RLT
C932, C941	150F-223K+2-FD	CC 50V 0.022uF 10% AT
C942	157D-477M+K-OVI	CE 16V 470UF 20% RLT
C943	157F-225M+K-IUI	CE 50V 2.2U 20% RLT
C944	157F-475M+K-IUI	CE 50V 4.7UF 20% RLT
C945	150F-101J+5-IF	CC 50V 100pF 5% RL 5x3.5
C946	157F-105M+K-IUI	CE 50V 1UF 20% RLT 5X11
C947	157F-474M+K-IUI	CE 50V 0.47UF 20% RLT

Reference No.	Part No.	Description
C948	157F-105M+K-IUI	CE 50V 1UF 20% RLT 5X11
C949, C950	150F-223K+2-FD	CC 50V 0.022uF 10% AT
C951	157F-225M+K-IUI	CE 50V 2.2U 20% RLT
C953, C954	153F-272J+5-JM	CM 50V 2700PF 5% RL
C959, C960	157D-226M+K-IUI	CE 16V 22UF 20% RLT 5X11
C961, C962	153F-152J+5-JM	CM 50V 1500PF 5% RL
C963, C964	157D-226M+K-IUI	CE 16V 22UF 20% RLT 5X11
C965	153F-272J+5-JM	CM 50V 2700PF 5% RL
C967	157F-474M+K-IUI	CE 50V 0.47UF 20% RLT
C968	150F-223K+2-FD	CC 50V 0.022uF 10% AT
C969	157D-476M+K-IUI	CE 16V 47UF 20% RLT
C970	153F-223J+5-LQ	CM 50V 0.022UF 5% RL
C971	15CH-080D+5-GG	CTC 0/60 8pF 0.5pF RL
C973	153F-473J+5-NLM	CM 50V 0.047uF 5% RL 7.5
C974	150F-223K+2-FD	CC 50V 0.022uF 10% AT
C975	157D-106M+K-IUI	CE 16V 10UF 20% RLT 5X11
C976	150F-223K+2-FD	CC 50V 0.022uF 10% AT
C977	157F-105M+K-IUI	CE 50V 1UF 20% RLT 5X11
C978	150F-223K+2-FD	CC 50V 0.022uF 10% AT
C979	157D-226M+K-IUI	CE 16V 22UF 20% RLT 5X11
C980	157D-477M+K-OVI	CE 16V 470UF 20% RLT
C981	150F-223Z+5-UG	CC 50V 0.022uF +80/-20%
C982	150F-101J+5-IF	CC 50V 100pF 5% RL 5x3.5
C985	150F-561K+5-GG	CC 50V 560pF 10% RL 4x4
C986	157D-107M+K-IUI	CE 16V 100UF 20% RLT
C987	150F-223K+2-FD	CC 50V 0.022uF 10% AT
C988, C989	15CH-300J+5-IG	CTC 0/60 30pF 5% RL 5x4
C990	157D-107M+K-IUI	CE 16V 100UF 20% RLT
C991	153F-102J+5-IM	CM 50V 1000PF 5% RL 5x7
C995, C996	153H-471J+9-NLV	CM 100V 470P 5% RB
C998	150F-223K+2-FD	CC 50V 0.022uF 10% AT
DIODE		
D901	4837-4C20+2	DZ 1/2W 5.0-5.2V AT
D902	4837-7C20+2	DZ 1/2W 9.1-9.5V AT
SOCKET		
J703B	2101-1521+0	SOCKET (PCB/PCB) 12P
J704B	2101-1601+0	SOCKET (PCB/PCB) 16P
JACK		
1002	2113-1774+0	JACK RCA 6P R/W GOLD W/O
P901	2113-1160+0	WAFER 2P ST. P=2.5 NH

Reference No.	Part No.	Description
COIL		
L901	1801-220K+M-2	COIL 22UH 10% AT BL7
L902	1801-101K+M-2	COIL 100UH 10% AT
L903, L904	5600-3386+S	COIL MPX LPF NMC-4085
L905, L906	1801-101K+M-2	COIL 100UH 10% AT
L941	5600-3396+S	COIL FM DET-1 10.7MHZ
L942	5600-3406+S	COIL FM DET-2 10.7MHZ
L971	5600-3280+G	COIL MW RF BLOCK
L972	5600-3416+S	COIL AM IFT NMIF-4062
L985	1801-101K+M-2	COIL 100UH 10% AT
CERAMIC FILTER		
M902, M903, M904	2701-0010+1	CF10.7 +-30
M911	2701-0680+0	CF 450 +-1
TRANSISTOR		
Q901	485C-945P+5	TR 2SC945P HFE 200-400
Q902	4851-9230+5	TR 2SC1923-0(TE2/F/T)
Q903	485A-114E+5	TR DTA114ES ROHM
Q904, Q905	485C-114E+5	TR DTC114ES
Q922, Q923	4860-1590+5	TR 2SC1740STPR
Q925, Q926	4860-8120+G	TR 2SD1468S TPS ROHM
Q942	4860-1590+5	TR 2SC1740STPR
Q943, Q944	4860-8120+G	TR 2SD1468S TPS ROHM
Q945	485A-114E+5	TR DTA114ES ROHM
RESISTOR		
R340	4711-104A+2	RMF 100K 1/8W 1% AT
R341	4711-331A+2	RMF 1/8W 330R 1% AT
R342	4711-104A+2	RMF 100K 1/8W 1% AT
R381	4711-331A+2	RMF 1/8W 330R 1% AT
R382	4711-104A+2	RMF 100K 1/8W 1% AT
R383	4711-331A+2	RMF 1/8W 330R 1% AT
R384	4711-104A+2	RMF 100K 1/8W 1% AT
R385	4711-331A+2	RMF 1/8W 330R 1% AT
R386	4711-104A+2	RMF 100K 1/8W 1% AT
R387	4711-331A+2	RMF 1/8W 330R 1% AT
R388	4711-104A+2	RMF 100K 1/8W 1% AT
R389	4711-331A+2	RMF 1/8W 330R 1% AT
R901	4711-333A+2	RMF 1/8W 33K 1% AT
R902	4711-220A+2	RMF 1/8W 22R 1% AT
R903	4711-123A+2	RMF 1/8W 12K 1% AT
R904	4711-331A+2	RMF 1/8W 330R 1% AT
R905	4711-681A+2	RMF 1/8W 680R 1% AT
R906	4711-103A+2	RMF 1/8W 10K 1% AT

ARCAM *AVR350 SURROUND SOUND RECEIVER*

Reference No.	Part No.	Description
R907	4711-332A+2	RMF 1/8W 3.3K 1% AT
R908	4711-471A+2	RMF 1/8W 470R 1% AT
R909, R910	4711-331A+2	RMF 1/8W 330R 1% AT
R911	4711-101A+2	RMF 1/8W 100R 1% AT
R912	4711-102A+2	RMF 1/8W 1K 1% AT
R913	4711-510A+2	RMF 1/8W 51R 1% AT
R914	4711-102A+2	RMF 1/8W 1K 1% AT
R915	4711-103A+2	RMF 1/8W 10K 1% AT
R916, R919, R920, R921, R922, R923, R924	4711-102A+2	RMF 1/8W 1K 1% AT
R925	4711-820A+2	RMF 1/8W 82R 1% AT
R926	4711-220A+2	RMF 1/8W 22R 1% AT
R927	4711-103A+2	RMF 1/8W 10K 1% AT
R928	4711-221A+2	RMF 1/8W 220R 1% AT
R929	4711-332A+2	RMF 1/8W 3.3K 1% AT
R931	4711-220A+2	RMF 1/8W 22R 1% AT
R933	4711-103A+2	RMF 1/8W 10K 1% AT
R942	4711-472A+2	RMF 1/8W 4.7K 1% AT
R943	4711-822A+2	RMF 1/8W 8.2K 1% AT
R944	4711-104A+2	RMF 100K 1/8W 1% AT
R945	4711-392A+2	RMF 1/8W 3.9K 1% AT
R946	4711-332A+2	RMF 1/8W 3.3K 1% AT
R947, R948	4711-103A+2	RMF 1/8W 10K 1% AT
R949	4711-332A+2	RMF 1/8W 3.3K 1% AT
R950	4711-684A+2	RMF 1/8W 680K 1% AT
R951	4711-102A+2	RMF 1/8W 1K 1% AT
R952, R953	4711-223A+2	RMF 1/8W 22K 1% AT
R954	4711-103A+2	RMF 1/8W 10K 1% AT
R955	4711-220A+2	RMF 1/8W 22R 1% AT
R957, R958	4711-272A+2	RMF 1/8W 2.7K 1% AT
R959, R960	4711-334A+2	RMF 1/8W 330K 1% AT
R961, R962	4711-471A+2	RMF 1/8W 470R 1% AT
R963, R964	4711-104A+2	RMF 100K 1/8W 1% AT
R968	4711-102A+2	RMF 1/8W 1K 1% AT
R972	4711-103A+2	RMF 1/8W 10K 1% AT
R973	4711-183A+2	RMF 1/8W 18K 1% AT
R974	4711-104A+2	RMF 100K 1/8W 1% AT
R975	4711-563A+2	RMF 1/8W 56K 1% AT
R985, R986, R987	4711-102A+2	RMF 1/8W 1K 1% AT
R988	4711-103A+2	RMF 1/8W 10K 1% AT
R989	4711-752A+2	RMF 1/8W 7.5K 1% AT
SVR		
R941	4756-3326+3-06	SVR 3.3K H3 7X7.6

ARCAM *AVR350 SURROUND SOUND RECEIVER*

Reference No.	Part No.	Description
SWITCH		
SW901	5200-3281+0-06	SW COMAX
TUNER		
1003	1300-0800+0	TUNER ENV17103G1 CE VER
IC		
U901	3130-8180+0	IC LA1837L-E AM/FM IF
U902	3131-9040+0	IC LC72723M-TLM-E RDS
U903	3131-3760+0	IC LC7218-E PLL FREQ
CRYSTAL		
M905	2300-0440+0	CRYSTAL 7.2MHZ 20PPM
M985	2300-1220+0	CRYSTAL 4.332MHZ
MISCELLANEOUS		
M901 *US	2107-0642+1	ANT-TERMINAL F-TYPE
M901 *EU/UK/AUS	2107-0682+0	ANT-TERMINAL (DIN-TYPE)
RS232 ASSY		
PC BOARD		
	PCB-AV35034+232	PCB ASSY RS232
PCB		
	1725-693D+0000	PCB AUDIO/DSP/RS232
CAPACITOR		
C201	157D-476M+K-IUI	CE 16V 47UF 20% RLT
C202	154B-476K+3-CF	CT 6.3V 47U 10% SMD 85C
C203	157D-476M+K-IUI	CE 16V 47UF 20% RLT
C204	154B-476K+3-CF	CT 6.3V 47U 10% SMD 85C
C214	150F-104K+J-BD	CC 50V 0.1uF 10% 0805
C215, C216, C217, C218	157F-105M+K-IUI	CE 50V 1UF 20% RLT 5X11
C219	157D-476M+K-IUI	CE 16V 47UF 20% RLT
C220, C221	157D-106M+K-IUI	CE 16V 10UF 20% RLT 5X11
C222	157D-106M+K-GII	CE 16V 10UF 20% RLT 4X5
C223	157D-106M+K-IUI	CE 16V 10UF 20% RLT 5X11
C224	157D-106M+K-GII	CE 16V 10UF 20% RLT 4X5
C225	157D-106M+K-IUI	CE 16V 10UF 20% RLT 5X11
C226	157D-106M+K-GII	CE 16V 10UF 20% RLT 4X5
C227	157D-106M+K-IUI	CE 16V 10UF 20% RLT 5X11
C228	157D-106M+K-GII	CE 16V 10UF 20% RLT 4X5
C229, C230	157D-106M+K-IUI	CE 16V 10UF 20% RLT 5X11
C232, C233	150F-104K+J-BD	CC 50V 0.1uF 10% 0805

Reference No.	Part No.	Description
C234, C235	150F-151K+J-BD	CC 50V 150pF 10% 0805 1.
C236	150F-681K+J-BD	CC 50V 680pF 10% 0805 1.
C237	150F-100J+J-BD	CC 50V 10pF 5% 0805 1.2x
C238, C239	157D-106M+K-IUI	CE 16V 10UF 20% RLT 5X11
C240, C241, C244, C245	150F-104K+J-BD	CC 50V 0.1uF 10% 0805
C246, C247	150F-151K+J-BD	CC 50V 150pF 10% 0805 1.
C248	150F-681K+J-BD	CC 50V 680pF 10% 0805 1.
C249	150F-100J+J-BD	CC 50V 10pF 5% 0805 1.2x
C250, C251, C252, C253	150F-104K+J-BD	CC 50V 0.1uF 10% 0805
C254	157D-106M+K-IUI	CE 16V 10UF 20% RLT 5X11
DIODE		
D201, D202, D203, D204, D205, D206, D207, D208, D209, D210, D211, D212, D213	4804-1480+3	DIODE LL4148 SM
D215	4804-0040+2	DIODE IN4004-F AT
Z232, Z233	4837-3V36+2	DZ 1/2W +-5% 3.3V TEMIC
Z250	4837-13C1+2	DZ 1/2W 13VC MTZJ13C
Z251	4837-6B81+2	DZ 1/2W 6.49~6.83V ROHM
Z252	4837-13C1+2	DZ 1/2W 13VC MTZJ13C
Z253	4837-6B81+2	DZ 1/2W 6.49~6.83V ROHM
Z254	4837-13C1+2	DZ 1/2W 13VC MTZJ13C
Z255	4837-6B81+2	DZ 1/2W 6.49~6.83V ROHM
Z256	4837-13C1+2	DZ 1/2W 13VC MTZJ13C
WAFER		
P805A	2102-100S+003	WAFER 10 PIN P2
JACK		
DB201	2113-3060+0	DB9 MALE D SUB
JA251, JA253, JA255	2113-3056+0	JACKS D3.5 VERTICAL DUAL
WIRE		
G1	7012-6785+0	CONN WIRE UL1015 18AWG
G2	7012-6740+0	CONN WIRE UL1015 18AWG
P122B	7012-6758+0	CONN WIRE 4P P=2.5 AWG26
P205A	7012-6750+0	CONN WIRE 6P P=2.5 26AWG
COIL		
L201, L202	1801-100K+M-2	COIL 10UH 10% BL7.0 AT
TRANSISTOR		
Q208, Q209	485C-1140+3	TR DTC114YKA 2216470R2
Q210	485C-2229+5	TR 2SC2229-OF HFE 70-140
Q211, Q212	485C-1140+3	TR DTC114YKA 2216470R2
Q213, Q214	485C-2229+5	TR 2SC2229-OF HFE 70-140

ARCAM *AVR350 SURROUND SOUND RECEIVER*

Reference No.	Part No.	Description
Q215, Q217	485C-1140+3	TR DTC114YKA 2216470R2
Q218	485C-2229+5	TR 2SC2229-OF HFE 70-140
Q219, Q220, Q221, Q222, Q223, Q226, Q228, Q229	485C-1140+3	TR DTC114YKA 2216470R2
Q230, Q231	485A-949O+5	TR 2SA949-OF (TEC, C, M)
Q233, Q234, Q235	485C-1140+3	TR DTC114YKA 2216470R2
Q236	485A-1140+3	TR DTA114YKAT146 SMD
Q257	485C-1140+3	TR DTC114YKA 2216470R2
RESISTOR		
R236	4715-101A+2	RMF 1/4W 100R 1% AT
R237	4720-302J+J	RMG 1/10W 3K 5% 0805
R242	4720-471J+J	RMG 1/10W 470R 5% 0805
R243	4720-102J+J	RMG 1/10W 1K 5% 0805
R244, R245	4720-750J+J	RMG 1/10W 75R 5% 0805
R247	4720-222J+J	RMG 1/10W 2.2K 5% 0805
R249	4720-274J+J	RMG 1/10W 270K 5% 0805
R250	4720-302J+J	RMG 1/10W 3K 5% 0805
R251	4720-332J+J	RMG 1/10W 3.3K 5% 0805
R252	4720-182J+J	RMG 1/10W 1.8K 5% 0805
R253	4720-684J+J	RMG 1/10W 680K 5% 0805
R254	4720-103J+J	RMG 1/10W 10K 5% 0805
R255	4720-474J+J	RMG 1/10W 470K 5% 0805
R256	4720-152J+J	RMG 1/10W 1.5K 5% 0805
R257	4720-332J+J	RMG 1/10W 3.3K 5% 0805
R258	4720-223J+J	RMG 1/10W 22K 5% 0805
R259	4720-472J+J	RMG 1/10W 4.7K 5% 0805
R260	4715-101A+2	RMF 1/4W 100R 1% AT
R261	4720-302J+J	RMG 1/10W 3K 5% 0805
R262, R265	4720-103J+J	RMG 1/10W 10K 5% 0805
R266	4720-471J+J	RMG 1/10W 470R 5% 0805
R267	4720-102J+J	RMG 1/10W 1K 5% 0805
R268	4718-101J+C-X	RMF 1W 100R 5% ATS METAL
R269	4715-101A+2	RMF 1/4W 100R 1% AT
R270	4720-302J+J	RMG 1/10W 3K 5% 0805
R271	4720-222J+J	RMG 1/10W 2.2K 5% 0805
R273	4720-274J+J	RMG 1/10W 270K 5% 0805
R274	4720-122J+J	RMG 1/10W 1.2K 5% 0805
R275	4720-182J+J	RMG 1/10W 1.8K 5% 0805
R276	4720-332J+J	RMG 1/10W 3.3K 5% 0805
R277	4720-684J+J	RMG 1/10W 680K 5% 0805
R278	4720-103J+J	RMG 1/10W 10K 5% 0805
R279	4720-474J+J	RMG 1/10W 470K 5% 0805
R280	4720-152J+J	RMG 1/10W 1.5K 5% 0805
R281	4720-332J+J	RMG 1/10W 3.3K 5% 0805

Reference No.	Part No.	Description
R282	4720-223J+J	RMG 1/10W 22K 5% 0805
R283	4720-472J+J	RMG 1/10W 4.7K 5% 0805
R286	4718-151J+C-X	RMF 1W 150R 5% ATS MATAL
R287	4720-122J+J	RMG 1/10W 1.2K 5% 0805
R289	4720-153J+J	RMG 1/10W 15K 5% 0805
R291	4720-471J+J	RMG 1/10W 470R 5% 0805
R292	4720-202J+J	RMG 1/10W 2K 5% 0805
R293, R294	4720-471J+J	RMG 1/10W 470R 5% 0805
R296	4720-222J+J	RMG 1/10W 2.2K 5% 0805
R298	4717-100A+2	RMF 1/2W 10R 1% AT
R299	4720-103J+J	RMG 1/10W 10K 5% 0805
R300	4720-332J+J	RMG 1/10W 3.3K 5% 0805
R301	4720-152J+J	RMG 1/10W 1.5K 5% 0805
R302	4720-332J+J	RMG 1/10W 3.3K 5% 0805
R303	4720-152J+J	RMG 1/10W 1.5K 5% 0805
R304, R305	4720-222J+J	RMG 1/10W 2.2K 5% 0805
R306, R307	4720-221J+J	RMG 1/10W 220R 5% 0805
R308, R309, R310, R311	4720-302J+J	RMG 1/10W 3K 5% 0805
SWITCH		
R238, R239, R241, R246, R263, R284, R295	5201-0000+0	RAYCHEM POLYSWITCH RXE01
SW201	5200-3530+0	SWITCH, 110-220V DPDT
IC		
U204	3131-9470+0	IC MAX232D SO16
U205	3132-3191+0	IC BUS REGISTER HCF4094
U206	3130-2520+2	IC NJM7812FA-#ZZZB
U207, U208	3132-0620+0	IC TS972ID OPA AMP SMD
U209	3132-3191+0	IC BUS REGISTER HCF4094
MISCELLANEOUS		
OP201, OP202	4816-N135+3	OPTOCOUPLER 6N135 DIP8
POWER AMP1 ASSY		
PC BOARD		
	PCB-AV35034+AMP1	PCB ASSY POWER AMP1
PCB		
	1725-695A+0001	PCB AMP1/AMP2/SW/RECT/
CAPACITOR		
C121, C231, C341	153I-102J+9-NL	CM 63V 0.001uF 5% RB 7.5
C401	157Q-106M+K-IUE	CE 35V 10U 20% 5X11 RLT
C403, C404	157I-476M+K-OVTI	CE 63V 47U 20% RLT

ARCAM *AVR350 SURROUND SOUND RECEIVER*

Reference No.	Part No.	Description
C405	157D-227M+K-OVY	CE 16V 220U 20% RLT
C406	157F-106M+K-IUTI	CE 50V 10U 20% RLT 5X11
C407	153F-101K+5-MKN	CM 100PF 50V RL (7X6)
C408	157F-106M+K-IUTI	CE 50V 10U 20% RLT 5X11
C409, C410	157F-475M+K-IUTI	CE 50V 4.7U 20% RLT 5X11
C411	157F-106M+K-IUTI	CE 50V 10U 20% RLT 5X11
C412	150F-332K+2-FD	CC 50V 3300P 10% AT
C402	153H-471J+9-NLV	CM 100V 470P 5% RB
C441	153I-102J+9-NL	CM 63V 0.001uF 5% RB 7.5
C501	157Q-106M+K-IUE	CE 35V 10U 20% 5X11 RLT
C502	153H-471J+9-NLV	CM 100V 470P 5% RB
C503, C504	157I-476M+K-OVTI	CE 63V 47U 20% RLT
C505	157D-227M+K-OVY	CE 16V 220U 20% RLT
C506	157F-106M+K-IUTI	CE 50V 10U 20% RLT 5X11
C507	153F-101K+5-MKN	CM 100PF 50V RL (7X6)
C508	157F-106M+K-IUTI	CE 50V 10U 20% RLT 5X11
C509, C510	157F-475M+K-IUTI	CE 50V 4.7U 20% RLT 5X11
C511	157F-106M+K-IUTI	CE 50V 10U 20% RLT 5X11
C512	150F-332K+2-FD	CC 50V 3300P 10% AT
C541	153I-102J+9-NL	CM 63V 0.001uF 5% RB 7.5
C601	157Q-106M+K-IUE	CE 35V 10U 20% 5X11 RLT
C602, C702	153H-471J+9-NLV	CM 100V 470P 5% RB
C603, C604	157I-476M+K-OVTI	CE 63V 47U 20% RLT
C605	157D-227M+K-OVY	CE 16V 220U 20% RLT
C606	157F-106M+K-IUTI	CE 50V 10U 20% RLT 5X11
C607	153F-101K+5-MKN	CM 100PF 50V RL (7X6)
C608	157F-106M+K-IUTI	CE 50V 10U 20% RLT 5X11
C609, C610	157F-475M+K-IUTI	CE 50V 4.7U 20% RLT 5X11
C611	157F-106M+K-IUTI	CE 50V 10U 20% RLT 5X11
C612	150F-332K+2-FD	CC 50V 3300P 10% AT
C641	153I-102J+9-NL	CM 63V 0.001uF 5% RB 7.5
C701	157Q-106M+K-IUE	CE 35V 10U 20% 5X11 RLT
C703, C704	157I-476M+K-OVTI	CE 63V 47U 20% RLT
C705	157D-227M+K-OVY	CE 16V 220U 20% RLT
C706	157F-106M+K-IUTI	CE 50V 10U 20% RLT 5X11
C707	153F-101K+5-MKN	CM 100PF 50V RL (7X6)
C708	157F-106M+K-IUTI	CE 50V 10U 20% RLT 5X11
C709, C710	157F-475M+K-IUTI	CE 50V 4.7U 20% RLT 5X11
C711	157F-106M+K-IUTI	CE 50V 10U 20% RLT 5X11
C712	150F-332K+2-FD	CC 50V 3300P 10% AT
C741	153I-102J+9-NL	CM 63V 0.001uF 5% RB 7.5
C801, C802, C803	157D-107M+K-LUTI	CE 16V 100U 20% RLT
C806, C807	157I-227M+K-S9TI	CE 63V 220U 20% RLT
C808	157D-107M+K-IUI	CE 16V 100UF 20% RLT
C809	157D-107M+K-LUTI	CE 16V 100U 20% RLT

Reference No.	Part No.	Description
C813	157D-227M+K-OVY	CE 16V 220U 20% RLT
DIODE		
D401, D402	4804-1480+3	DIODE LL4148 SM
D403, D404	4804-0040+2	DIODE IN4004-F AT
D501, D502	4804-1480+3	DIODE LL4148 SM
D503, D504	4804-0040+2	DIODE IN4004-F AT
D601, D602	4804-1480+3	DIODE LL4148 SM
D603, D604	4804-0040+2	DIODE IN4004-F AT
D701, D702	4804-1480+3	DIODE LL4148 SM
D703, D704	4804-0040+2	DIODE IN4004-F AT
D801	4804-1480+3	DIODE LL4148 SM
D802, D803	4804-0040+2	DIODE IN4004-F AT
D804	4804-1480+3	DIODE LL4148 SM
D805	4804-0040+2	DIODE IN4004-F AT
D806, D807, D808	4804-1480+3	DIODE LL4148 SM
Z202, Z401, Z402, Z501, Z502, Z601, Z602, Z701	4837-27V0+2	DZ 1/2W 27V(26.2-27.6)AT
Z802	4837-10D1+2	DZ 1/2W 9.94~10.44V ROHM
Z804	4837-5B61+2	DZ 1/2W 5.45-5.73 ROHM
WIRE		
JP102A	7012-6766+1	CONN WIRE UL1015 14AWG
P104A	7012-6681+0	CONN WIRE 10P P=2.5 6AWG
P108B, P109A	7012-6686+0	CONN WIRE 6P P=2.5 26AWG
WAFER/SOCKET		
P104A1	2102-081S+004	WAFER 8P P2.5 ST.
P106A	2102-061S+004	6P ST. WAFER
P107A	2101-1801+0	SOCKET (PCB/PCB) 10P
P401, P501, P601, P701	2113-1160+0	WAFER 2P ST. P=2.5 NH
LED		
LED101, LED102	3700-2489+G	LED 3MM GREEN SP
TRANSISTOR		
Q401	4851-241A+5	TR RN1241-A(TPE4/F)
Q402, Q403	4860-0660+5	TR 2SA1015-GRF(T5L, T) RL
Q404, Q405, Q406, Q407	4860-0190+5	TR 2SC1845A (F.E) RL
Q408	4860-0660+5	TR 2SA1015-GRF(T5L, T) RL
Q409, Q410	485A-949O+5	TR 2SA949-OF (TEC, C, M)
Q411	4860-0190+5	TR 2SC1845A (F.E) RL
Q412	485C-2229+5	TR 2SC2229-OF HFE 70-140
Q413	4860-1220+5	TR 2SC3421-O(Q) RL TSB
Q414	4860-0190+5	TR 2SC1845A (F.E) RL
Q415	4860-0660+5	TR 2SA1015-GRF(T5L, T) RL

Reference No.	Part No.	Description
Q416	485C-5171+5	TR 2SC5171(Q/M) HFE
Q417	485A-1930+5	TR 2SA1930F HFE 100-320
Q418	4860-3430+5	TR 2SC5359-O(Q)TO-3P NPN
Q419	4860-3420+5	TR 2SA1987-O(Q)TO-39 PNP
Q420	4860-0190+5	TR 2SC1845A (F.E) RL
Q501	4851-241A+5	TR RN1241-A(TPE4/F)
Q502, Q503	4860-0660+5	TR 2SA1015-GRF(T5L, T) RL
Q504, Q505, Q506, Q507	4860-0190+5	TR 2SC1845A (F.E) RL
Q508	4860-0660+5	TR 2SA1015-GRF(T5L, T) RL
Q509, Q510	485A-949O+5	TR 2SA949-OF (TEC, C, M)
Q511	4860-0190+5	TR 2SC1845A (F.E) RL
Q512	485C-2229+5	TR 2SC2229-OF HFE 70-140
Q513	4860-1220+5	TR 2SC3421-O(Q) RL TSB
Q514	4860-0190+5	TR 2SC1845A (F.E) RL
Q515	4860-0660+5	TR 2SA1015-GRF(T5L, T) RL
Q516	485C-5171+5	TR 2SC5171(Q/M) HFE
Q517	485A-1930+5	TR 2SA1930F HFE 100-320
Q518	4860-3430+5	TR 2SC5359-O(Q)TO-3P NPN
Q519	4860-3420+5	TR 2SA1987-O(Q)TO-39 PNP
Q520	4860-0190+5	TR 2SC1845A (F.E) RL
Q601	4851-241A+5	TR RN1241-A(TPE4/F)
Q602, Q603	4860-0660+5	TR 2SA1015-GRF(T5L, T) RL
Q604, Q605, Q606, Q607	4860-0190+5	TR 2SC1845A (F.E) RL
Q608	4860-0660+5	TR 2SA1015-GRF(T5L, T) RL
Q609, Q610	485A-949O+5	TR 2SA949-OF (TEC, C, M)
Q611	4860-0190+5	TR 2SC1845A (F.E) RL
Q612	485C-2229+5	TR 2SC2229-OF HFE 70-140
Q613	4860-1220+5	TR 2SC3421-O(Q) RL TSB
Q614	4860-0190+5	TR 2SC1845A (F.E) RL
Q615	4860-0660+5	TR 2SA1015-GRF(T5L, T) RL
Q616	485C-5171+5	TR 2SC5171(Q/M) HFE
Q617	485A-1930+5	TR 2SA1930F HFE 100-320
Q618	4860-3430+5	TR 2SC5359-O(Q)TO-3P NPN
Q619	4860-3420+5	TR 2SA1987-O(Q)TO-39 PNP
Q620	4860-0190+5	TR 2SC1845A (F.E) RL
Q701	4851-241A+5	TR RN1241-A(TPE4/F)
Q702, Q703	4860-0660+5	TR 2SA1015-GRF(T5L, T) RL
Q704, Q705, Q706, Q707	4860-0190+5	TR 2SC1845A (F.E) RL
Q708	4860-0660+5	TR 2SA1015-GRF(T5L, T) RL
Q709, Q710	485A-949O+5	TR 2SA949-OF (TEC, C, M)
Q711	4860-0190+5	TR 2SC1845A (F.E) RL
Q712	485C-2229+5	TR 2SC2229-OF HFE 70-140
Q713	4860-1220+5	TR 2SC3421-O(Q) RL TSB
Q714	4860-0190+5	TR 2SC1845A (F.E) RL
Q715	4860-0660+5	TR 2SA1015-GRF(T5L, T) RL

Reference No.	Part No.	Description
Q716	485C-5171+5	TR 2SC5171(Q/M) HFE
Q717	485A-1930+5	TR 2SA1930F HFE 100-320
Q718	4860-3430+5	TR 2SC5359-O(Q)TO-3P NPN
Q719	4860-3420+5	TR 2SA1987-O(Q)TO-39 PNP
Q720	4860-0190+5	TR 2SC1845A (F.E) RL
Q801	485C-123J+5	TR DTC123JSATP ROHM
Q802	485B-772P+5	TR 2SB772P PNP POWER TR
Q803, Q804, Q805, Q806	485C-123J+5	TR DTC123JSATP ROHM
Q809	4860-0660+5	TR 2SA1015-GRF(T5L, T) RL
Q810, Q811, Q812	485C-114E+5	TR DTC114ES
RESISTOR		
R187	4720-103J+J	RMG 1/10W 10K 5% 0805
R188	4720-333J+J	RMG 1/10W 33K 5% 0805
R401	4720-681J+J	RMG 1/10W 680R 5% 0805
R402	4711-223A+2	RMF 1/8W 22K 1% AT
R403, R404	4720-101A+J	RMG 1/10W 100R 1% 0805
R405, R406	4720-680A+J	RMG 1/10W 68R 1% 0805
R407	4720-221J+J	RMG 1/10W 220R 5% 0805
R408	4720-822J+J	RMG 1/10W 8.2K 5% 0805
R409	4720-223A+J	RMG 1/10W 22K 1% 0805
R410	4720-681J+J	RMG 1/10W 680R 5% 0805
R411	4720-102J+J	RMG 1/10W 1K 5% 0805
R412	4711-223A+2	RMF 1/8W 22K 1% AT
R413	4720-123J+J	RMG 1/10W 12K 5% 0805
R414	4720-102J+J	RMG 1/10W 1K 5% 0805
R415	4720-270J+J	RMG 1/10W 27R 5% 0805
R416	4720-223A+J	RMG 1/10W 22K 1% 0805
R417	4720-820J+J	RMG 1/10W 82R 5% 0805
R418	4720-222J+J	RMG 1/10W 2.2K 5% 0805
R419	4720-561J+J	RMG 1/10W 560R 5% 0805
R420	4720-180J+J	RMG 1/10W 18R 5% 0805
R421, R422	4718-100J+C-X	RMF 1W 10R 5% ATS METAL
R423, R424	4720-820J+J	RMG 1/10W 82R 5% 0805
R425	4715-822A+2	RMF 1/4W 8.2K 1% AT
R426	4720-822J+J	RMG 1/10W 8.2K 5% 0805
R427, R428	4720-181J+J	RMG 1/10W 180R 5% 0805
R429	4720-822J+J	RMG 1/10W 8.2K 5% 0805
R430	4715-822A+2	RMF 1/4W 8.2K 1% AT
R431, R432	4720-102J+J	RMG 1/10W 1K 5% 0805
R433, R434	4720-222J+J	RMG 1/10W 2.2K 5% 0805
R435, R436	4720-561J+J	RMG 1/10W 560R 5% 0805
R437	4718-101J+C-X	RMF 1W 100R 5% ATS METAL
R438	474B-R22K+5-02	RWR 5W 0.22R X2 10% RL
R439	4720-272J+J	RMG 1/10W 2.7K 5% 0805

ARCAM *AVR350 SURROUND SOUND RECEIVER*

Reference No.	Part No.	Description
R440	4720-471J+J	RMG 1/10W 470R 5% 0805
R441	4720-333J+J	RMG 1/10W 33K 5% 0805
R442, R443	4720-223A+J	RMG 1/10W 22K 1% 0805
R444, R445	4720-103J+J	RMG 1/10W 10K 5% 0805
R501	4720-681J+J	RMG 1/10W 680R 5% 0805
R502	4711-223A+2	RMF 1/8W 22K 1% AT
R503, R504	4720-101A+J	RMG 1/10W 100R 1% 0805
R505, R506	4720-680A+J	RMG 1/10W 68R 1% 0805
R507	4720-221J+J	RMG 1/10W 220R 5% 0805
R508	4720-822J+J	RMG 1/10W 8.2K 5% 0805
R509	4720-223A+J	RMG 1/10W 22K 1% 0805
R510	4720-681J+J	RMG 1/10W 680R 5% 0805
R511	4720-102J+J	RMG 1/10W 1K 5% 0805
R512	4711-223A+2	RMF 1/8W 22K 1% AT
R513	4720-123J+J	RMG 1/10W 12K 5% 0805
R514	4720-102J+J	RMG 1/10W 1K 5% 0805
R515	4720-270J+J	RMG 1/10W 27R 5% 0805
R516	4720-223A+J	RMG 1/10W 22K 1% 0805
R517	4720-820J+J	RMG 1/10W 82R 5% 0805
R518	4720-222J+J	RMG 1/10W 2.2K 5% 0805
R519	4720-561J+J	RMG 1/10W 560R 5% 0805
R520	4720-180J+J	RMG 1/10W 18R 5% 0805
R521, R522	4718-100J+C-X	RMF 1W 10R 5% ATS METAL
R523, R524	4720-820J+J	RMG 1/10W 82R 5% 0805
R525	4715-822A+2	RMF 1/4W 8.2K 1% AT
R526	4720-822J+J	RMG 1/10W 8.2K 5% 0805
R527, R528	4720-181J+J	RMG 1/10W 180R 5% 0805
R529	4720-822J+J	RMG 1/10W 8.2K 5% 0805
R530	4715-822A+2	RMF 1/4W 8.2K 1% AT
R531, R532	4720-102J+J	RMG 1/10W 1K 5% 0805
R533, R534	4720-222J+J	RMG 1/10W 2.2K 5% 0805
R535, R536	4720-561J+J	RMG 1/10W 560R 5% 0805
R537	4718-101J+C-X	RMF 1W 100R 5% ATS METAL
R538	474B-R22K+5-02	RWR 5W 0.22R X2 10% RL
R539	4720-272J+J	RMG 1/10W 2.7K 5% 0805
R540	4720-471J+J	RMG 1/10W 470R 5% 0805
R541	4720-333J+J	RMG 1/10W 33K 5% 0805
R542	4720-223A+J	RMG 1/10W 22K 1% 0805
R543	4720-223J+J	RMG 1/10W 22K 5% 0805
R544, R545	4720-103J+J	RMG 1/10W 10K 5% 0805
R601	4720-681J+J	RMG 1/10W 680R 5% 0805
R602	4711-223A+2	RMF 1/8W 22K 1% AT
R603, R604	4720-101A+J	RMG 1/10W 100R 1% 0805
R605, R606	4720-680A+J	RMG 1/10W 68R 1% 0805
R607	4720-221J+J	RMG 1/10W 220R 5% 0805

ARCAM *AVR350 SURROUND SOUND RECEIVER*

Reference No.	Part No.	Description
R608	4720-822J+J	RMG 1/10W 8.2K 5% 0805
R609	4720-223A+J	RMG 1/10W 22K 1% 0805
R610	4720-681J+J	RMG 1/10W 680R 5% 0805
R611	4720-102J+J	RMG 1/10W 1K 5% 0805
R612	4711-223A+2	RMF 1/8W 22K 1% AT
R613	4720-123J+J	RMG 1/10W 12K 5% 0805
R614	4720-102J+J	RMG 1/10W 1K 5% 0805
R615	4720-270J+J	RMG 1/10W 27R 5% 0805
R616	4720-223A+J	RMG 1/10W 22K 1% 0805
R617	4720-820J+J	RMG 1/10W 82R 5% 0805
R618	4720-222J+J	RMG 1/10W 2.2K 5% 0805
R619	4720-561J+J	RMG 1/10W 560R 5% 0805
R620	4720-180J+J	RMG 1/10W 18R 5% 0805
R621, R622	4718-100J+C-X	RMF 1W 10R 5% ATS METAL
R623, R624	4720-820J+J	RMG 1/10W 82R 5% 0805
R625	4715-822A+2	RMF 1/4W 8.2K 1% AT
R626	4720-822J+J	RMG 1/10W 8.2K 5% 0805
R627, R628	4720-181J+J	RMG 1/10W 180R 5% 0805
R629	4720-822J+J	RMG 1/10W 8.2K 5% 0805
R630	4715-822A+2	RMF 1/4W 8.2K 1% AT
R631, R632	4720-102J+J	RMG 1/10W 1K 5% 0805
R633, R634	4720-222J+J	RMG 1/10W 2.2K 5% 0805
R635, R636	4720-561J+J	RMG 1/10W 560R 5% 0805
R637	4718-101J+C-X	RMF 1W 100R 5% ATS METAL
R638	474B-R22K+5-02	RWR 5W 0.22R X2 10% RL
R639	4720-272J+J	RMG 1/10W 2.7K 5% 0805
R640	4720-471J+J	RMG 1/10W 470R 5% 0805
R641	4720-333J+J	RMG 1/10W 33K 5% 0805
R642	4720-223A+J	RMG 1/10W 22K 1% 0805
R643	4720-223J+J	RMG 1/10W 22K 5% 0805
R644, R645	4720-103J+J	RMG 1/10W 10K 5% 0805
R701	4720-681J+J	RMG 1/10W 680R 5% 0805
R702	4711-223A+2	RMF 1/8W 22K 1% AT
R703, R704	4720-101A+J	RMG 1/10W 100R 1% 0805
R705, R706	4720-680A+J	RMG 1/10W 68R 1% 0805
R707	4720-221J+J	RMG 1/10W 220R 5% 0805
R708	4720-822J+J	RMG 1/10W 8.2K 5% 0805
R709	4720-223A+J	RMG 1/10W 22K 1% 0805
R710	4720-681J+J	RMG 1/10W 680R 5% 0805
R711	4720-102J+J	RMG 1/10W 1K 5% 0805
R712	4711-223A+2	RMF 1/8W 22K 1% AT
R713	4720-123J+J	RMG 1/10W 12K 5% 0805
R714	4720-102J+J	RMG 1/10W 1K 5% 0805
R715	4720-270J+J	RMG 1/10W 27R 5% 0805
R716	4720-223A+J	RMG 1/10W 22K 1% 0805

ARCAM *AVR350 SURROUND SOUND RECEIVER*

Reference No.	Part No.	Description
R717	4720-820J+J	RMG 1/10W 82R 5% 0805
R718	4720-222J+J	RMG 1/10W 2.2K 5% 0805
R719	4720-561J+J	RMG 1/10W 560R 5% 0805
R720	4720-180J+J	RMG 1/10W 18R 5% 0805
R721, R722	4718-100J+C-X	RMF 1W 10R 5% ATS METAL
R723, R724	4720-820J+J	RMG 1/10W 82R 5% 0805
R725	4715-822A+2	RMF 1/4W 8.2K 1% AT
R726	4720-822J+J	RMG 1/10W 8.2K 5% 0805
R727, R728	4720-181J+J	RMG 1/10W 180R 5% 0805
R729	4720-822J+J	RMG 1/10W 8.2K 5% 0805
R730	4715-822A+2	RMF 1/4W 8.2K 1% AT
R731, R732	4720-102J+J	RMG 1/10W 1K 5% 0805
R733, R734	4720-222J+J	RMG 1/10W 2.2K 5% 0805
R735, R736	4720-561J+J	RMG 1/10W 560R 5% 0805
R737	4718-101J+C-X	RMF 1W 100R 5% ATS METAL
R738	474B-R22K+5-02	RWR 5W 0.22R X2 10% RL
R739	4720-272J+J	RMG 1/10W 2.7K 5% 0805
R740	4720-471J+J	RMG 1/10W 470R 5% 0805
R741	4720-333J+J	RMG 1/10W 33K 5% 0805
R742	4720-223A+J	RMG 1/10W 22K 1% 0805
R743	4720-223J+J	RMG 1/10W 22K 5% 0805
R744, R745, R801	4720-103J+J	RMG 1/10W 10K 5% 0805
R802	4720-302J+J	RMG 1/10W 3K 5% 0805
R803	4720-472J+J	RMG 1/10W 4.7K 5% 0805
R804, R805	4720-152J+J	RMG 1/10W 1.5K 5% 0805
R806	4720-472J+J	RMG 1/10W 4.7K 5% 0805
R807	4718-391J+2-X	RMF 1W 390R 5% AT
R808	4720-103J+J	RMG 1/10W 10K 5% 0805
R809	4711-103A+2	RMF 1/8W 10K 1% AT
R810, R811	4720-103J+J	RMG 1/10W 10K 5% 0805
R818	4720-201J+J	RMG 1/10W 200R 5% 0805
R820	4718-010A+2-X	RMF 1W 1R 1% AT METAL
R821	4720-472J+J	RMG 1/10W 4.7K 5% 0805
R822	4720-102J+J	RMG 1/10W 1K 5% 0805
R823	4720-472J+J	RMG 1/10W 4.7K 5% 0805
SVR		
VR401, VR501, VR601, VR701	4755-4715+3-00	SVR 470R 5X5.6 90DEG
IC		
U801	3130-2790+1	IC NJM7808FA-#ZZZB
HEATSINK		
Q416C, Q417C, Q516C, Q517C, Q616C, Q617C	5400-9130+0	HEAT SINK FOR 7805 2438-
Q716C, Q717C	5400-9130+0	HEAT SINK FOR 7805 2438-

ARCAM *AVR350 SURROUND SOUND RECEIVER*

Reference No.	Part No.	Description
U801C	5400-0831+0	HEATSINK
SCREW		
Q416A, Q417A, Q516A, Q517A, Q616A, Q617A, Q716A, Q717A	2954-2606+0000	SCREWS BT 2.6X6
U801A	2954-2606+0000	SCREWS BT 2.6X6
Q416B, Q417B, Q516B, Q517B, Q616B, Q617B, Q716B, Q717B	2954-3008+0000	SCREW B-TITE BIND M3X8
U801B	2954-3008+0000	SCREW B-TITE BIND M3X8
MISCELLANEOUS		
SE801	8910-0489+0	THERMISTOR 100C
POWER AMP2 ASSY		
PC BOARD		
	PCB-AV35034+AMP2	PCB ASSY POWER AMP2
PCB		
	1725-695A+0001	PCB AMP1/AMP2/SW/RECT/
CAPACITOR		
C101	157Q-106M+K-IUE	CE 35V 10U 20% 5X11 RLT
C103, C104	157I-476M+K-OVTI	CE 63V 47U 20% RLT
C105	157D-227M+K-OVY	CE 16V 220U 20% RLT
C106	157F-106M+K-IUTI	CE 50V 10U 20% RLT 5X11
C107	153F-101K+5-MKN	CM 100PF 50V RL (7X6)
C108	157F-106M+K-IUTI	CE 50V 10U 20% RLT 5X11
C109, C110	157F-475M+K-IUTI	CE 50V 4.7U 20% RLT 5X11
C111	157F-106M+K-IUTI	CE 50V 10U 20% RLT 5X11
C112	150F-332K+2-FD	CC 50V 3300P 10% AT
C102	153H-471J+9-NLV	CM 100V 470P 5% RB
C201	157Q-106M+K-IUE	CE 35V 10U 20% 5X11 RLT
C202	153H-471J+9-NLV	CM 100V 470P 5% RB
C203, C204	157I-476M+K-OVTI	CE 63V 47U 20% RLT
C205	157D-227M+K-OVY	CE 16V 220U 20% RLT
C206	157F-106M+K-IUTI	CE 50V 10U 20% RLT 5X11
C207	153F-101K+5-MKN	CM 100PF 50V RL (7X6)
C208	157F-106M+K-IUTI	CE 50V 10U 20% RLT 5X11
C209, C210	157F-475M+K-IUTI	CE 50V 4.7U 20% RLT 5X11
C211	157F-106M+K-IUTI	CE 50V 10U 20% RLT 5X11
C212	150F-332K+2-FD	CC 50V 3300P 10% AT
C301	157Q-106M+K-IUE	CE 35V 10U 20% 5X11 RLT
C302	153H-471J+9-NLV	CM 100V 470P 5% RB
C303, C304	157I-476M+K-OVTI	CE 63V 47U 20% RLT
C305	157D-227M+K-OVY	CE 16V 220U 20% RLT

ARCAM *AVR350 SURROUND SOUND RECEIVER*

Reference No.	Part No.	Description
C306	157F-106M+K-IUTI	CE 50V 10U 20% RLT 5X11
C307	153F-101K+5-MKN	CM 100PF 50V RL (7X6)
C308	157F-106M+K-IUTI	CE 50V 10U 20% RLT 5X11
C309, C310	157F-475M+K-IUTI	CE 50V 4.7U 20% RLT 5X11
C311	157F-106M+K-IUTI	CE 50V 10U 20% RLT 5X11
C312	150F-332K+2-FD	CC 50V 3300P 10% AT
C810, C811	157I-227M+K-S9TI	CE 63V 220U 20% RLT
C838	157E-477M+K-SWT	CE 25V 470U 20% RLT
C839, C840	153F-103K+5-LJN	CM50V 0.01UF 10% 6.5X5.5
DIODE		
D101, D102	4804-1480+3	DIODE LL4148 SM
D103, D104	4804-0040+2	DIODE IN4004-F AT
D201, D202	4804-1480+3	DIODE LL4148 SM
D203, D204	4804-0040+2	DIODE IN4004-F AT
D301, D302	4804-1480+3	DIODE LL4148 SM
D303, D304	4804-0040+2	DIODE IN4004-F AT
Z101, Z102, Z201, Z202, Z301, Z302	4837-27V0+2	DZ 1/2W 27V(26.2-27.6)AT
Z803	4837-5B11+2	DZ 1/2W 4.94~5.20V ROHM
WAFER/SOCKET		
JP101A, JP102A	2101-1231+0	SPADE TERMINAL 6.3X0.8
P107B	2101-1801+0	SOCKET (PCB/PCB) 10P
P108A	2102-061R+004	WAFER 6 PIN P2.5
P101, P201, P301	2113-1160+0	WAFER 2P ST. P=2.5 NH
WIRE		
P102A	7012-6683+0	CONN WIRE 8P P=3.96
TRANSISTOR		
Q101	4851-241A+5	TR RN1241-A(TPE4/F)
Q102, Q103	4860-0660+5	TR 2SA1015-GRF(T5L, T) RL
Q104, Q105, Q106, Q107	4860-0190+5	TR 2SC1845A (F.E) RL
Q108	4860-0660+5	TR 2SA1015-GRF(T5L, T) RL
Q109, Q110	485A-949O+5	TR 2SA949-OF (TEC, C, M)
Q111	4860-0190+5	TR 2SC1845A (F.E) RL
Q112	485C-2229+5	TR 2SC2229-OF HFE 70-140
Q113	4860-1220+5	TR 2SC3421-O(Q) RL TSB
Q114	4860-0190+5	TR 2SC1845A (F.E) RL
Q115	4860-0660+5	TR 2SA1015-GRF(T5L, T) RL
Q116	485C-5171+5	TR 2SC5171(Q/M) HFE
Q117	485A-1930+5	TR 2SA1930F HFE 100-320
Q118, Q119	4860-3420+5	TR 2SA1987-O(Q)TO-39 PNP
Q120	4860-0190+5	TR 2SC1845A (F.E) RL
Q201	4851-241A+5	TR RN1241-A(TPE4/F)

Reference No.	Part No.	Description
Q202, Q203	4860-0660+5	TR 2SA1015-GRF(T5L, T) RL
Q204, Q205, Q206, Q207	4860-0190+5	TR 2SC1845A (F.E) RL
Q208	4860-0660+5	TR 2SA1015-GRF(T5L, T) RL
Q209, Q210	485A-949O+5	TR 2SA949-OF (TEC, C, M)
Q211	4860-0190+5	TR 2SC1845A (F.E) RL
Q212	485C-2229+5	TR 2SC2229-OF HFE 70-140
Q213	4860-1220+5	TR 2SC3421-O(Q) RL TSB
Q214	4860-0190+5	TR 2SC1845A (F.E) RL
Q215	4860-0660+5	TR 2SA1015-GRF(T5L, T) RL
Q216	485C-5171+5	TR 2SC5171(Q/M) HFE
Q217	485A-1930+5	TR 2SA1930F HFE 100-320
Q218, Q219	4860-3420+5	TR 2SA1987-O(Q)TO-39 PNP
Q220	4860-0190+5	TR 2SC1845A (F.E) RL
Q301	4851-241A+5	TR RN1241-A(TPE4/F)
Q302, Q303	4860-0660+5	TR 2SA1015-GRF(T5L, T) RL
Q304, Q305, Q306, Q307	4860-0190+5	TR 2SC1845A (F.E) RL
Q308	4860-0660+5	TR 2SA1015-GRF(T5L, T) RL
Q309, Q310	485A-949O+5	TR 2SA949-OF (TEC, C, M)
Q311	4860-0190+5	TR 2SC1845A (F.E) RL
Q312	485C-2229+5	TR 2SC2229-OF HFE 70-140
Q313	4860-1220+5	TR 2SC3421-O(Q) RL TSB
Q314	4860-0190+5	TR 2SC1845A (F.E) RL
Q315	4860-0660+5	TR 2SA1015-GRF(T5L, T) RL
Q316	485C-5171+5	TR 2SC5171(Q/M) HFE
Q317	485A-1930+5	TR 2SA1930F HFE 100-320
Q318, Q319	4860-3420+5	TR 2SA1987-O(Q)TO-39 PNP
Q320, Q826, Q827	4860-0190+5	TR 2SC1845A (F.E) RL
Q828	485A-949O+5	TR 2SA949-OF (TEC, C, M)
RESISTOR		
R101	4720-681J+J	RMG 1/10W 680R 5% 0805
R102	4711-223A+2	RMF 1/8W 22K 1% AT
R103, R104	4720-101A+J	RMG 1/10W 100R 1% 0805
R105, R106	4720-680A+J	RMG 1/10W 68R 1% 0805
R107	4720-221J+J	RMG 1/10W 220R 5% 0805
R108	4720-822J+J	RMG 1/10W 8.2K 5% 0805
R109	4720-223J+J	RMG 1/10W 22K 5% 0805
R110	4720-681J+J	RMG 1/10W 680R 5% 0805
R111	4720-102J+J	RMG 1/10W 1K 5% 0805
R112	4711-223A+2	RMF 1/8W 22K 1% AT
R113	4720-123J+J	RMG 1/10W 12K 5% 0805
R114	4720-102J+J	RMG 1/10W 1K 5% 0805
R115	4720-270J+J	RMG 1/10W 27R 5% 0805
R116	4720-223J+J	RMG 1/10W 22K 5% 0805
R117	4720-820J+J	RMG 1/10W 82R 5% 0805

ARCAM *AVR350 SURROUND SOUND RECEIVER*

Reference No.	Part No.	Description
R118	4720-222J+J	RMG 1/10W 2.2K 5% 0805
R119	4720-561J+J	RMG 1/10W 560R 5% 0805
R120	4720-180J+J	RMG 1/10W 18R 5% 0805
R121, R122	4718-100J+C-X	RMF 1W 10R 5% ATS METAL
R123, R124	4720-820J+J	RMG 1/10W 82R 5% 0805
R125	4715-822A+2	RMF 1/4W 8.2K 1% AT
R126	4720-822J+J	RMG 1/10W 8.2K 5% 0805
R127, R128	4720-181J+J	RMG 1/10W 180R 5% 0805
R129	4720-822J+J	RMG 1/10W 8.2K 5% 0805
R130	4715-822A+2	RMF 1/4W 8.2K 1% AT
R131, R132	4720-102J+J	RMG 1/10W 1K 5% 0805
R133, R134	4720-222J+J	RMG 1/10W 2.2K 5% 0805
R135, R136	4720-561J+J	RMG 1/10W 560R 5% 0805
R137	4718-101J+C-X	RMF 1W 100R 5% ATS METAL
R138	474B-R22K+5-02	RWR 5W 0.22R X2 10% RL
R139	4720-272J+J	RMG 1/10W 2.7K 5% 0805
R140	4720-471J+J	RMG 1/10W 470R 5% 0805
R141	4720-333J+J	RMG 1/10W 33K 5% 0805
R142, R143	4720-223J+J	RMG 1/10W 22K 5% 0805
R144, R145	4720-103J+J	RMG 1/10W 10K 5% 0805
R201	4720-681J+J	RMG 1/10W 680R 5% 0805
R202	4711-223A+2	RMF 1/8W 22K 1% AT
R203, R204	4720-101A+J	RMG 1/10W 100R 1% 0805
R205, R206	4720-680A+J	RMG 1/10W 68R 1% 0805
R207	4720-221J+J	RMG 1/10W 220R 5% 0805
R208	4720-822J+J	RMG 1/10W 8.2K 5% 0805
R209	4720-223J+J	RMG 1/10W 22K 5% 0805
R210	4720-681J+J	RMG 1/10W 680R 5% 0805
R211	4720-102J+J	RMG 1/10W 1K 5% 0805
R212	4711-223A+2	RMF 1/8W 22K 1% AT
R213	4720-123J+J	RMG 1/10W 12K 5% 0805
R214	4720-102J+J	RMG 1/10W 1K 5% 0805
R215	4720-270J+J	RMG 1/10W 27R 5% 0805
R216	4720-223J+J	RMG 1/10W 22K 5% 0805
R217	4720-820J+J	RMG 1/10W 82R 5% 0805
R218	4720-222J+J	RMG 1/10W 2.2K 5% 0805
R219	4720-561J+J	RMG 1/10W 560R 5% 0805
R220	4720-180J+J	RMG 1/10W 18R 5% 0805
R221, R222	4718-100J+C-X	RMF 1W 10R 5% ATS METAL
R223, R224	4720-820J+J	RMG 1/10W 82R 5% 0805
R225	4715-822A+2	RMF 1/4W 8.2K 1% AT
R226	4720-822J+J	RMG 1/10W 8.2K 5% 0805
R227, R228	4720-181J+J	RMG 1/10W 180R 5% 0805
R229	4720-822J+J	RMG 1/10W 8.2K 5% 0805
R230	4715-822A+2	RMF 1/4W 8.2K 1% AT

ARCAM *AVR350 SURROUND SOUND RECEIVER*

Reference No.	Part No.	Description
R231, R232	4720-102J+J	RMG 1/10W 1K 5% 0805
R233, R234	4720-222J+J	RMG 1/10W 2.2K 5% 0805
R235, R236	4720-561J+J	RMG 1/10W 560R 5% 0805
R237	4718-101J+C-X	RMF 1W 100R 5% ATS METAL
R238	474B-R22K+5-02	RWR 5W 0.22R X2 10% RL
R239	4720-272J+J	RMG 1/10W 2.7K 5% 0805
R240	4720-471J+J	RMG 1/10W 470R 5% 0805
R241	4720-333J+J	RMG 1/10W 33K 5% 0805
R242, R243	4720-223J+J	RMG 1/10W 22K 5% 0805
R244, R245	4720-103J+J	RMG 1/10W 10K 5% 0805
R301	4720-681J+J	RMG 1/10W 680R 5% 0805
R302	4711-223A+2	RMF 1/8W 22K 1% AT
R303, R304	4720-101A+J	RMG 1/10W 100R 1% 0805
R305, R306	4720-680A+J	RMG 1/10W 68R 1% 0805
R307	4720-221J+J	RMG 1/10W 220R 5% 0805
R308	4720-822J+J	RMG 1/10W 8.2K 5% 0805
R309	4720-223J+J	RMG 1/10W 22K 5% 0805
R310	4720-681J+J	RMG 1/10W 680R 5% 0805
R311	4720-102J+J	RMG 1/10W 1K 5% 0805
R312	4711-223A+2	RMF 1/8W 22K 1% AT
R313	4720-123J+J	RMG 1/10W 12K 5% 0805
R314	4720-102J+J	RMG 1/10W 1K 5% 0805
R315	4720-270J+J	RMG 1/10W 27R 5% 0805
R316	4720-223J+J	RMG 1/10W 22K 5% 0805
R317	4720-820J+J	RMG 1/10W 82R 5% 0805
R318	4720-222J+J	RMG 1/10W 2.2K 5% 0805
R319	4720-561J+J	RMG 1/10W 560R 5% 0805
R320	4720-180J+J	RMG 1/10W 18R 5% 0805
R321, R322	4718-100J+C-X	RMF 1W 10R 5% ATS METAL
R323, R324	4720-820J+J	RMG 1/10W 82R 5% 0805
R325	4715-822A+2	RMF 1/4W 8.2K 1% AT
R326	4720-822J+J	RMG 1/10W 8.2K 5% 0805
R327, R328	4720-181J+J	RMG 1/10W 180R 5% 0805
R329	4720-822J+J	RMG 1/10W 8.2K 5% 0805
R330	4715-822A+2	RMF 1/4W 8.2K 1% AT
R331, R332	4720-102J+J	RMG 1/10W 1K 5% 0805
R333, R334	4720-222J+J	RMG 1/10W 2.2K 5% 0805
R335, R336	4720-561J+J	RMG 1/10W 560R 5% 0805
R337	4718-101J+C-X	RMF 1W 100R 5% ATS METAL
R338	474B-R22K+5-02	RWR 5W 0.22R X2 10% RL
R339	4720-272J+J	RMG 1/10W 2.7K 5% 0805
R340	4720-471J+J	RMG 1/10W 470R 5% 0805
R341	4720-333J+J	RMG 1/10W 33K 5% 0805
R342, R343	4720-223J+J	RMG 1/10W 22K 5% 0805
R344, R345	4720-103J+J	RMG 1/10W 10K 5% 0805

ARCAM *AVR350 SURROUND SOUND RECEIVER*

Reference No.	Part No.	Description
R842	4720-223J+J	RMG 1/10W 22K 5% 0805
R843, R844	4720-333J+J	RMG 1/10W 33K 5% 0805
R845	4720-103J+J	RMG 1/10W 10K 5% 0805
R846	4720-562J+J	RMG 1/10W 5.6K 5% 0805
SVR		
VR101, VR201, VR301	4755-4715+3-00	SVR 470R 5X5.6 90DEG
HEATSINK		
Q116C, Q117C, Q216C, Q217C, Q316C, Q317C	5400-9130+0	HEAT SINK FOR 7805 2438-
SCREW		
Q116A, Q117A, Q216A, Q217A, Q316A, Q317A	2954-2606+0000	SCREWS BT 2.6X6
Q116B, Q117B, Q216B, Q217B, Q316B, Q317B	2954-3008+0000	SCREW B-TITE BIND M3X8
MISCELLANEOUS		
SE802	8910-0489+0	THERMISTOR 100C
AUDIO ASSY		
PC BOARD		
	PCB-AV35034+AUD	PCB ASSY AUDIO
PCB		
	1725-693D+0000	PCB AUDIO/DSP/RS232
CAPACITOR		
C3001, C3002, C3003, C3004, C3005, C3006, C3007, C3008, C3009, C3010, C3011, C3012, C3013, C3014, C3015, C3016	150F-221K+J-BD	CC 50V 220pF 10% 0805 1.
C3019, C3020, C3021, C3022, C3023, C3024, C3039, C3040, C3041	157F-106M+K-IUI	CE 50V 10UF 20% RLT 5X11
C3042, C3043, C3046, C3047, C3051, C3052, C3053, C3054	150F-104K+J-BD	CC 50V 0.1uF 10% 0805
C3101, C3102, C3103, C3104, C3105, C3106, C3107, C3108, C3109, C3110	150F-221K+J-BD	CC 50V 220pF 10% 0805 1.
C3135, C3136	157D-106M+K-IUI	CE 16V 10UF 20% RLT 5X11
C3137, C3138	157D-227M+K-OVY	CE 16V 220U 20% RLT
DIODE		
D3010, D3011, D3012, D3013, D3014, D3015, D3016, D3017	4804-1480+3	DIODE LL4148 SM
Z3001, Z3002	4837-4V76+2	DZ 1/2W 4.7V TEMIC AT
Z3003	4837-5B11+2	DZ 1/2W 4.94~5.20V ROHM
SOCKET		
P301A, P302A, P404B	2101-1521+0	SOCKET (PCB/PCB) 12P

ARCAM *AVR350 SURROUND SOUND RECEIVER*

Reference No.	Part No.	Description
JACK		
VA301, VA302	2113-3058+0	JACK RCA 6P R/N GOLD W/O
VA303	2113-3059+0	JACK KCA 4P P/N GOLD W/O
WIRE		
P807A	7012-7030+0	WIRE-SHIELD 8P P2.0 #24
TRANSISTOR		
Q3001, Q3002, Q3003, Q3004	4851-241A+5	TR RN1241-A(TPE4/F)
RESISTOR		
R3001, R3002	4720-221J+J	RMG 1/10W 220R 5% 0805
R3003, R3004	4720-104J+J	RMG 1/10W 100K 5% 0805
R3005, R3006	4720-221J+J	RMG 1/10W 220R 5% 0805
R3007, R3008	4720-104J+J	RMG 1/10W 100K 5% 0805
R3009, R3010	4720-221J+J	RMG 1/10W 220R 5% 0805
R3011, R3012	4720-104J+J	RMG 1/10W 100K 5% 0805
R3013, R3014	4720-221J+J	RMG 1/10W 220R 5% 0805
R3015, R3016	4720-104J+J	RMG 1/10W 100K 5% 0805
R3017, R3018	4720-221J+J	RMG 1/10W 220R 5% 0805
R3019, R3020	4720-104J+J	RMG 1/10W 100K 5% 0805
R3021, R3022	4720-301J+J	RMG 1/10W 300R 5% 0805
R3023, R3024	4720-104J+J	RMG 1/10W 100K 5% 0805
R3025, R3026	4720-301J+J	RMG 1/10W 300R 5% 0805
R3029, R3030	4720-101J+J	RMG 1/10W 100R 5% 0805
R3031, R3032	4720-104J+J	RMG 1/10W 100K 5% 0805
R3035, R3036	4720-101J+J	RMG 1/10W 100R 5% 0805
R3037, R3038	4720-104J+J	RMG 1/10W 100K 5% 0805
R3041, R3042	4711-331A+2	RMF 1/8W 330R 1% AT
R3063	4711-471A+2	RMF 1/8W 470R 1% AT
R3079, R3080	4720-101J+J	RMG 1/10W 100R 5% 0805
R3081, R3082	4720-105J+J	RMG 1/10W 1M 5% 0805
R3092	4720-473J+J	RMG 1/10W 47K 5% 0805
R3093	4720-243J+J	RMG 1/10W 24K 5% 0805
R3094	4720-473J+J	RMG 1/10W 47K 5% 0805
R3095	4720-243J+J	RMG 1/10W 24K 5% 0805
R3096	4720-203J+J	RMG 1/10W 20K 5% 0805
R3097	4720-103J+J	RMG 1/10W 10K 5% 0805
R3098	4720-203J+J	RMG 1/10W 20K 5% 0805
R3099	4720-103J+J	RMG 1/10W 10K 5% 0805
R3101, R3102	4720-221J+J	RMG 1/10W 220R 5% 0805
R3103, R3104	4720-104J+J	RMG 1/10W 100K 5% 0805
R3105, R3106	4720-221J+J	RMG 1/10W 220R 5% 0805
R3107, R3108	4720-104J+J	RMG 1/10W 100K 5% 0805
R3109, R3110	4720-221J+J	RMG 1/10W 220R 5% 0805

ARCAM *AVR350 SURROUND SOUND RECEIVER*

Reference No.	Part No.	Description
R3111, R3112	4720-104J+J	RMG 1/10W 100K 5% 0805
R3113, R3114	4720-221J+J	RMG 1/10W 220R 5% 0805
R3115, R3116	4720-104J+J	RMG 1/10W 100K 5% 0805
R3117, R3118	4720-221J+J	RMG 1/10W 220R 5% 0805
R3119, R3120	4720-104J+J	RMG 1/10W 100K 5% 0805
R3183, R3184	4720-105J+J	RMG 1/10W 1M 5% 0805
R3188, R3189, R3190, R3191	4720-000J+J	RMG 1/10W 0R 5% 0805
IC		
U3001	3131-3570+0	IC TC9273CNG-004 ANALOG
U3002	3132-1150+0	IC M62429FP ELECTRONIC
U3003, U3004	3132-0440+0	IC CD74HC4053M96 SO-16
U3005	3131-7310+0	IC OPA2134UA/2K5 SOP8
U3006	3130-8160+0	IC TC9273CNG-010
U3007, U3008, U3010	3131-7310+0	IC OPA2134UA/2K5 SOP8
COM-VIDEO ASSY		
PC BOARD		
	PCB-AV35034+COM	PCB ASSY COM-VIDEO
PCB		
	1725-695A+0001	PCB AMP1/AMP2/SW/RECT/
CAPACITOR		
C216, C217, C218	150F-271J+J-BD	CC 50V 270PF 5% 0805
C220, C221	15CH-331J+J-BD	CTC 0/60 330pF 5% 0805
C222, C223, C224	15CH-220J+J-BD	CTC 0/60 22PF 5% 0805
C225	15CH-331J+J-BD	CTC 0/60 330pF 5% 0805
C283	150F-103K+J-BD	CC 50V 0.01U 10% 0805
C284	157D-106M+K-IUI	CE 16V 10UF 20% RLT 5X11
C285	150F-103K+J-BD	CC 50V 0.01U 10% 0805
C286	157D-106M+K-IUI	CE 16V 10UF 20% RLT 5X11
C287, C288, C289, C290, C291, C292	150F-103K+J-BD	CC 50V 0.01U 10% 0805
C293, C294, C295, C296, C297, C298	157D-106M+K-IUI	CE 16V 10UF 20% RLT 5X11
C299	157D-477M+K-OVI	CE 16V 470UF 20% RLT
JACK		
M201, M202	2113-3051+0	RCA 6P G/B/R GOLD SHIELD
WIRE		
P802	7012-6679+0	WIRE-CONN 6P P2.5 #24
P803	7012-6760+0	CONN WIRE 10P P=2.0

ARCAM *AVR350 SURROUND SOUND RECEIVER*

Reference No.	Part No.	Description
COIL		
L206, L207, L208	1803-0064+0	CHOKE COIL NCH-1471 SMD
TRANSISTOR		
Q299	485C-114E+5	TR DTC114ES
RESISTOR		
R263, R264, R265, R266, R267, R268, R269, R270, R271, R274, R275, R276, R277	4720-750J+J	RMG 1/10W 75R 5% 0805
R279	4720-183J+J	RMG 1/10W 18K 5% 0805
R280	4720-472J+J	RMG 1/10W 4.7K 5% 0805
R281, R283, R284, R285, R286, R287, R288, R289, R290, R291, R292, R293, R295, R297, R299	4720-750J+J	RMG 1/10W 75R 5% 0805
IC		
U201, U202	3131-8950+0	IC LT1675CGN#PBF VIDEO
U203	3132-1160+0	IC LT1675CS8-1#PBF VIDEO
U204	3131-8950+0	IC LT1675CGN#PBF VIDEO
CONNECTOR2 ASSY		
PC BOARD		
	PCB-AV35034+CON2	PCB ASSY CONNECTOR2
PCB		
	1725-695A+0001	PCB AMP1/AMP2/SW/RECT/
WAFER		
J706C, J706D	2101-1520+0	WAFER (PCB/PCB) 12P P2.0
CONNECTOR ASSY		
PC BOARD		
	PCB-AV35034+CONN	PCB ASSY CONNECTOR
PCB		
	1725-695A+0001	PCB AMP1/AMP2/SW/RECT/
WAFER		
P107C, P107D	2101-1621+0	WAFER (PCB/PCB) 10P P2.0
DSP ASSY		
PC BOARD		
	PCB-AV35034+DSP	PCB ASSY DSP

Reference No.	Part No.	Description
PCB		
	1725-693D+0000	PCB AUDIO/DSP/RS232
CAPACITOR		
C101	150F-103K+J-BD	CC 50V 0.01U 10% 0805
C102	157B-108M+K-OVI	CE 6.3V 1000UF 20%RLT 8X
C103	157D-476M+K-IUI	CE 16V 47UF 20% RLT
C104	150F-104K+J-BD	CC 50V 0.1uF 10% 0805
C105	150F-103K+J-BD	CC 50V 0.01U 10% 0805
C106, C107	150F-104K+J-BD	CC 50V 0.1uF 10% 0805
C108, C109	154D-105M+3-CF	CT 16V 1UF 20% SM
C110, C111, C112	150F-104K+J-BD	CC 50V 0.1uF 10% 0805
C113	150F-103K+J-BD	CC 50V 0.01U 10% 0805
C114	157D-477M+K-OVI	CE 16V 470UF 20% RLT
C115	150F-222K+J-BD	CC 50V 2200pF 10% 0805 1
C116, C117, C118, C119, C120, C121, C122, C123	150F-104K+J-BD	CC 50V 0.1uF 10% 0805
C124, C125	150F-103K+J-BD	CC 50V 0.01U 10% 0805
C126	150F-683K+J-BD	CC 50V 0.068U 10% 0805
C127, C128	150F-104K+J-BD	CC 50V 0.1uF 10% 0805
C129	150F-102K+J-BD	CC 50V 1000pF 10% 0805 1
C130	150F-103K+J-BD	CC 50V 0.01U 10% 0805
C131	150F-104K+J-BD	CC 50V 0.1uF 10% 0805
C132	157D-477M+K-OVI	CE 16V 470UF 20% RLT
C133	157D-106M+K-IUI	CE 16V 10UF 20% RLT 5X11
C134	150F-223K+2-FD	CC 50V 0.022uF 10% AT
C135, C136, C137, C138, C139	150F-104K+J-BD	CC 50V 0.1uF 10% 0805
C140, C141, C142	157D-106M+K-IUI	CE 16V 10UF 20% RLT 5X11
C143	150F-104K+J-BD	CC 50V 0.1uF 10% 0805
C144, C145, C146	150F-103K+J-BD	CC 50V 0.01U 10% 0805
C147	150F-104K+J-BD	CC 50V 0.1uF 10% 0805
C148, C149, C150, C151, C152, C153	150F-103K+J-BD	CC 50V 0.01U 10% 0805
C154	154D-225M+3-CF	CT 16V 2.2UF 20% SM
C155	150F-680K+J-BD	CC 50V 68pF 10% 0805 1.2
C156	150F-122K+J-BD	CC 50V 1200pF 10% 0805 1
C157	154D-105M+3-CF	CT 16V 1UF 20% SM
C158	150F-104K+J-BD	CC 50V 0.1uF 10% 0805
C159	157D-106M+K-IUI	CE 16V 10UF 20% RLT 5X11
C160, C161	150F-104K+J-BD	CC 50V 0.1uF 10% 0805
C162, C163, C164, C165	154D-105M+3-CF	CT 16V 1UF 20% SM
C166, C167	150F-104K+J-BD	CC 50V 0.1uF 10% 0805
C168, C169, C170, C171	154D-105M+3-CF	CT 16V 1UF 20% SM
C172, C173	150F-104K+J-BD	CC 50V 0.1uF 10% 0805
C174	150F-472K+J-BD	CC 50V 4700pF 10% 0805 1
C175	150F-104K+2-FC	CC 50V 0.1UF 10% AT

ARCAM *AVR350 SURROUND SOUND RECEIVER*

Reference No.	Part No.	Description
C176	157B-108M+K-OVI	CE 6.3V 1000UF 20%RLT 8X
C178	157F-107M+K-OVI	CE 50V 100U 20% RLT
C180	150F-103K+K-II	CC 50V 0.01U 10% RLT 5x5
C255, C256, C257, C258, C259, C260	150F-100J+J-BD	CC 50V 10pF 5% 0805 1.2x
DIODE		
D101	4804-0020+2	DIO REC 1N4002-F GPE
D104, D105, D106, D107, D108, D109, D110, D111, D112	4804-1480+3	DIODE LL4148 SM
WAFER/SOCKET		
P110B, P111B	2101-1601+0	SOCKET (PCB/PCB) 16P
P122A	2102-041S+004	4P ST.WAFER
JACK		
C0101	2113-3044+0	4P RCA JACK BLACK
C0102	2113-1810+0	1P RCA JACK YL GOLD
WIRE		
P103	7012-6747+0	CONN WIRE 2P P=2.5 24AWG
COIL		
L109	1802-0450+0	DIGITAL COIL
L101	1801-100K+M-2	COIL 10UH 10% BL7.0 AT
L103, L105, L106, L107, L110	1801-100K+M-2	COIL 10UH 10% BL7.0 AT
TRANSISTOR		
Q101, Q102	4860-8120+G	TR 2SD1468S TPS ROHM
RESISTOR		
R100	4720-101J+J	RMG 1/10W 100R 5% 0805
R101	4720-302J+J	RMG 1/10W 3K 5% 0805
R102	4720-103J+J	RMG 1/10W 10K 5% 0805
R103	4720-101J+J	RMG 1/10W 100R 5% 0805
R104	4720-302J+J	RMG 1/10W 3K 5% 0805
R105	4720-750J+J	RMG 1/10W 75R 5% 0805
R106, R107, R108	4720-102J+J	RMG 1/10W 1K 5% 0805
R109	4720-471J+J	RMG 1/10W 470R 5% 0805
R110	4720-331A+J	RMG 1/10W 330R 1% 0805
R111	4720-101J+J	RMG 1/10W 100R 5% 0805
R112	4720-202J+J	RMG 1/10W 2K 5% 0805
R113	4720-471J+J	RMG 1/10W 470R 5% 0805
R114, R115, R116, R117, R118, R119, R120	4720-103J+J	RMG 1/10W 10K 5% 0805
R121	4720-331A+J	RMG 1/10W 330R 1% 0805
R122	4720-471J+J	RMG 1/10W 470R 5% 0805
R123	4715-103A+2	RMF 1/4W 10K 1% AT

ARCAM *AVR350 SURROUND SOUND RECEIVER*

Reference No.	Part No.	Description
R124	4720-222J+J	RMG 1/10W 2.2K 5% 0805
R125, R126	4720-471J+J	RMG 1/10W 470R 5% 0805
R127, R128	4720-101J+J	RMG 1/10W 100R 5% 0805
R129	4720-202J+J	RMG 1/10W 2K 5% 0805
R130	4720-330J+J	RMG 1/10W 33R 5% 0805
R131	4720-103J+J	RMG 1/10W 10K 5% 0805
R132, R133, R134, R135, R136, R137, R138, R139, R140, R141, R142, R143, R144, R145, R146, R147	4720-101J+J	RMG 1/10W 100R 5% 0805
R148, R149	4720-103J+J	RMG 1/10W 10K 5% 0805
R150	4720-101J+J	RMG 1/10W 100R 5% 0805
R151, R152	4720-103J+J	RMG 1/10W 10K 5% 0805
R153, R154, R155, R156, R157, R158	4720-101J+J	RMG 1/10W 100R 5% 0805
R159, R160, R161, R162	4720-103J+J	RMG 1/10W 10K 5% 0805
R163, R164, R165, R166	4720-101J+J	RMG 1/10W 100R 5% 0805
R167, R168, R169, R170, R171, R172, R173	4720-103J+J	RMG 1/10W 10K 5% 0805
R174	4720-101J+J	RMG 1/10W 100R 5% 0805
R175	4720-103J+J	RMG 1/10W 10K 5% 0805
R176, R177, R178, R179	4720-101J+J	RMG 1/10W 100R 5% 0805
R180, R181	4720-103J+J	RMG 1/10W 10K 5% 0805
R182	4720-101J+J	RMG 1/10W 100R 5% 0805
R183	4720-103J+J	RMG 1/10W 10K 5% 0805
R184	4720-331A+J	RMG 1/10W 330R 1% 0805
R185	4720-681J+J	RMG 1/10W 680R 5% 0805
R186	4720-101J+J	RMG 1/10W 100R 5% 0805
R187, R188, R189, R190	4720-103J+J	RMG 1/10W 10K 5% 0805
R191	4720-101J+J	RMG 1/10W 100R 5% 0805
R192	4720-331A+J	RMG 1/10W 330R 1% 0805
R193	4720-473J+J	RMG 1/10W 47K 5% 0805
R194, R195, R196	4720-101J+J	RMG 1/10W 100R 5% 0805
R197, R198, R199, R200	4720-750J+J	RMG 1/10W 75R 5% 0805
R201	4720-473J+J	RMG 1/10W 47K 5% 0805
R202	4720-681J+J	RMG 1/10W 680R 5% 0805
R203	4720-473J+J	RMG 1/10W 47K 5% 0805
R204	4720-681J+J	RMG 1/10W 680R 5% 0805
R205, R206	4720-471J+J	RMG 1/10W 470R 5% 0805
R207	4720-202J+J	RMG 1/10W 2K 5% 0805
R208, R209, R210, R211	4720-101J+J	RMG 1/10W 100R 5% 0805
R212, R213, R214, R215, R216	4720-332J+J	RMG 1/10W 3.3K 5% 0805
R218	4720-302J+J	RMG 1/10W 3K 5% 0805
R219	4720-101J+J	RMG 1/10W 100R 5% 0805
R220, R221, R222, R223, R224	4720-103J+J	RMG 1/10W 10K 5% 0805
R225, R226, R227, R228, R229, R230, R231	4720-330J+J	RMG 1/10W 33R 5% 0805
R232, R233, R234, R235	4720-100J+J	RMG 1/10W 10R 5% 0805
R288	4720-473J+J	RMG 1/10W 47K 5% 0805
R290, R297	4720-331A+J	RMG 1/10W 330R 1% 0805

ARCAM *AVR350 SURROUND SOUND RECEIVER*

Reference No.	Part No.	Description
R312	4720-473A+J	RMG 1/10W 47K 1% 0805
IC		
U101	3132-1050+0	IC CS494003-CQZ DSP
U102	3131-9100+0	IC SN74HCU04D (SOP)
U103	3132-0720+1	IC CS8416-CSZ REV:D
U104	3131-3940+0	IC 74HC245 BUS
U105	3131-9100+0	IC SN74HCU04D (SOP)
U106	3132-1431+0	IC 29LV040A-15JU 512KX8
U107	3132-1060+1	IC K4S161622H-UC60 SDRAM
U108	3132-0230+0	IC SN74AC32PWR 2-INPUT
U109	3131-7230+0	IC 74HC151AF(F) QUAD
CRYSTAL		
CR101	2300-3060+0	X'TAL 12.288MHZ +/-20PPM
MISCELLANEOUS		
L102	1808-0680+0	FERRITE BEAD INDUCTOR
L112, L113	1808-0680+0	FERRITE BEAD INDUCTOR
M101	2704-0060+0	EMC FILTER
OP101, OP102, OP103	481R-1111+3	LIGHT RX JSR1111 SOLTEAM
OP104	4811-111A+3	LIGHT TX JST1111A
HDMI ASSY		
PC BOARD		
	PCB-AV35034+HDMI	PCB ASSY HDMI
PCB		
	1725-835A+0000	PCB HDMI ALARAV350
CAPACITOR		
C101, C102, C103, C104, C105, C106, C107, C109, C110, C111, C112, C113, C114, C116, C117	150F-104K+P-AC	CC 50V 0.1uF 10%
C118, C119, C120, C123, C124, C125, C127	154C-106M+3-CF	CT 10V 10uF 20% SM
C128, C129, C130, C131	150F-104K+P-AC	CC 50V 0.1uF 10%
C133	150F-102K+P-AC	CC 50V 1000P 10%
C134	150F-103K+P-AC	CC 50V 0.01uF 10% 0603
C135	150F-102K+P-AC	CC 50V 1000P 10%
C136	150F-103K+P-AC	CC 50V 0.01uF 10% 0603
C138	150F-102K+P-AC	CC 50V 1000P 10%
C139	150F-103K+P-AC	CC 50V 0.01uF 10% 0603
DIODE		
D101	4804-0040+2	DIODE IN4004-F AT

ARCAM *AVR350 SURROUND SOUND RECEIVER*

Reference No.	Part No.	Description
CONNECTOR		
H101, H102, H103	2113-3154+0	CONNECTOR HDMI 19P MALE
WIRE		
J101	7012-7032+0	WIRE-SHIELD 6P P2.5 #24
TRANSISTOR		
Q101	485C-1140+3	TR DTC114YKA 2216470R2
RESISTOR		
R101	4723-182A+P	RMG 1/16W 1.8K 1%
R102	4723-152J+P	RMG 1/16W 1.5K 5%
R103	4723-202J+P	RMG 1/16W 2K 5%
R104	4723-101J+P	RMG 1/16W 100R 5%
R109, R110, R111, R112, R113, R114, R115, R116, R117, R118, R119, R120, R121, R122, R123, R124	4723-201J+P	RMG 1/16W 200R 5%
R127	4723-103A+P	RMG 1/16W 10K 1%
R128, R129	4723-102J+P	RMG 1/16W 1K 5%
R130	4723-103A+P	RMG 1/16W 10K 1%
R131	4723-473J+P	RMG 1/16W 47K 5%
R132, R133	4723-101J+P	RMG 1/16W 100R 5%
R134	4723-103A+P	RMG 1/16W 10K 1%
R135	4723-151A+P	RMG 1/16W 150R 1% 0603
IC		
U101	3132-2861+0	IC FST3126M
U102	3132-2921+0	IC SN74HCT08DR
U103	3132-3301+0	IC LOW-DROPOUT REGULATOR
U104	3132-1481+0	IC REG NCP1117ST33T3G
U105	3130-2020+2	IC NJM7805FA-#ZZZB
U106	3132-3261+0	IC 2:1 MUX/DEMUX
MISCELLANEOUS		
D1, D2	4132-6221+0	BRACKET, GROUNDING
KEY ASSY		
PC BOARD		
	PCB-AV35034+KEY	PCB ASSY KEY
PCB		
	1725-833A+0000	PCB KEY/TUN/PSU/PHONE
CAPACITOR		
C1001, C1002	15CH-200J+2-FC	CTC 0/60 20pF 5% AT

Reference No.	Part No.	Description
C1003	157D-476M+K-IUI	CE 16V 47UF 20% RLT
C1004	150F-470K+2-GD	CC 50V 47P 10% AT
C1005, C1006	150F-103K+2-FC	CC 50V 0.01uF 10% AT 3.5
C1007	157B-477M+K-LUI	CE 6.3V 470UF 20% RLT
C1008	157F-107M+K-OVI	CE 50V 100U 20% RLT
C1009	150F-103K+2-FC	CC 50V 0.01uF 10% AT 3.5
C1010	150F-104K+2-FC	CC 50V 0.1UF 10% AT
C1011	157D-106M+K-GII	CE 16V 10UF 20% RLT 4X5
C1012, C1013	157B-477M+K-LUI	CE 6.3V 470UF 20% RLT
C1014, C1015	150F-153K+2-FD	CC 50V 0.015uF 10% AT
C1016	157B-477M+K-LUI	CE 6.3V 470UF 20% RLT
C1018	150F-101K+2-FC	CC 50V 100pF 10% AT 3.5x
C1020	150F-103K+2-FC	CC 50V 0.01uF 10% AT 3.5
WAFER		
P1002A	2102-021R+004	WAFER 2P P2.5 RIGHT
P101A	2101-1441+0	FLEXIBLE CONN 15P P1.0 R
P205B	2102-061R+004	WAFER 6 PIN P2.5
WIRE		
P102A	7012-6688+0	CONN WIRE 3P P=2.5 26AWG
P1001A	6503-1060-2004	CONN WIRE 3P P=2.5 AWG26
LED		
LE1001, LE1002, LE1003, LE1004, LE1005, LE1006, LE1007, LE1008, LE1009, LE1011, LE1012, LE1013, LE1014	3700-2489+G	LED 3MM GREEN SP
TRANSISTOR		
Q1001, Q1002, Q1003	485C-123J+5	TR DTC123JSATP ROHM
Q1004, Q1005	485A-114E+K	TR DTA114ESA RLT ROHM
RESISTOR		
R1001, R1002, R1003, R1004, R1005, R1006, R1007, R1008, R1009, R1010, R1011, R1012, R1014	4711-101A+2	RMF 1/8W 100R 1% AT
R1015	4711-471A+2	RMF 1/8W 470R 1% AT
R1016	4711-332A+2	RMF 1/8W 3.3K 1% AT
R1017	4711-102A+2	RMF 1/8W 1K 1% AT
R1018	4711-103A+2	RMF 1/8W 10K 1% AT
R1019	4711-563A+2	RMF 1/8W 56K 1% AT
R1020	4711-220A+2	RMF 1/8W 22R 1% AT
R1022, R1023, R1024, R1025, R1026, R1027, R1028, R1029	4711-472A+2	RMF 1/8W 4.7K 1% AT
R1030	4711-103A+2	RMF 1/8W 10K 1% AT
R1031, R1032, R1033, R1034, R1035, R1036	4711-472A+2	RMF 1/8W 4.7K 1% AT

ARCAM *AVR350 SURROUND SOUND RECEIVER*

Reference No.	Part No.	Description
IC		
U1001	3132-1090+0	IC PT6302LQ-003(L) VFD
U1002	3132-1030+0	IC AT89S52-33JC 8BIT
SWITCH		
SW1001, SW1002, SW1003, SW1004, SW1005, SW1006, SW1007, SW1008, SW1009, SW1010, SW1011, SW1012, SW1013, SW1014, SW1015, SW1016, SW1017, SW1018, SW1019, SW1020, SW1021, SW1022, SW1023, SW1024, SW1025, SW1026	5200-3628+0-00	TACT SW SKHHBY 7MM HIGH
CRYSTAL		
CR1001	2300-1920+0	X'TAL 11.0592 MHZ
MISCELLANEOUS		
IR801	4151-9671+1	SPONGE 12X10X3
IR801	4816-043T+3	IR SENSOR KSM-603TM2
LE1001-13	4154-1331+0	LED HOLDER LED3-11
VF101A	2460-2080+0	VFD AVR300 AL050C ZEC
VF102	4157-0681+0	RUBBER CUSHION 25X15X4MM
VF103	4157-0691+0	RUBBER CUSHION 25X6X6MM
LED ASSY		
PC BOARD		
	PCB-AV35034+LED	PCB ASSY LED
PCB		
	1725-695A+0001	PCB AMP1/AMP2/SW/RECT/
WAFER		
P101A	2102-031S+004	3 PIN ST. WAFER
LED		
LED101	3700-3517+RG	LED RED/GREEN (L-469HW)
MAIN ASSY		
PC BOARD		
	PCB-AV35034+MAIN	PCB ASSY MAIN
PCB		
1000	1725-834A+0000	PCB MAIN ALARAV350
CAPACITOR		
C101	157E-478M+5-5\$TI	CE 25V 4700U 20% RL

Reference No.	Part No.	Description
C102	157E-108M+K-S9I	CE 25V 1000UF 20% RLT
C103, C104	157D-476M+K-IUI	CE 16V 47UF 20% RLT
C105	150F-104K+2-FC	CC 50V 0.1UF 10% AT
C106	157F-107M+K-OVI	CE 50V 100U 20% RLT
C107	157F-476M+K-LUI	CE 50V 47UF 20% RLT
C108, C109	150F-104K+2-FC	CC 50V 0.1UF 10% AT
C110	157E-108M+K-X9TI	CE 25V 1000U 20% RLT
C111	157D-335M+K-IUI	CE 16V 3.3UF 20% 5X11
C112	157B-228M+K-S9I	CE 6.3V 2200U 20% RLT
C113	150F-104K+2-FC	CC 50V 0.1UF 10% AT
C114	157B-108M+K-OVI	CE 6.3V 1000UF 20%RLT 8X
C115	157D-106M+K-IUI	CE 16V 10UF 20% RLT 5X11
C116, C117	15CH-200J+2-FC	CTC 0/60 20pF 5% AT
C118	157D-476M+K-IUI	CE 16V 47UF 20% RLT
C119, C120	15CH-200J+2-FC	CTC 0/60 20pF 5% AT
C121	157E-338M+5-5&TI	CE 25V 3300U 20% RL
C123, C124	157D-108M+K-S5I	CE 16V 1000UF 20% RLT
C125, C126, C127, C128, C129, C130, C131	150F-104K+2-FC	CC 50V 0.1UF 10% AT
C133	157E-108M+K-X9TI	CE 25V 1000U 20% RLT
C134	157E-227M+K-OVI	CE 25V 220UF 20% RLT
C135	157D-477M+K-OVI	CE 16V 470UF 20% RLT
C136, C137	157B-108M+K-OVI	CE 6.3V 1000UF 20%RLT 8X
C138, C139, C140	157D-107M+K-IUI	CE 16V 100UF 20% RLT
C141	157B-227M+K-IUI	CE 6.3V 220UF 20% RLT
C142	157E-228M+5-X&E	CE 25V 2200UF 20% RL
C143	157D-477M+K-OVI	CE 16V 470UF 20% RLT
C144	157B-108M+K-OVI	CE 6.3V 1000UF 20%RLT 8X
C145	157D-477M+K-OVI	CE 16V 470UF 20% RLT
C146, C147	157F-106M+K-IUI	CE 50V 10UF 20% RLT 5X11
C148, C149, C150, C151, C152	157D-106M+K-IUI	CE 16V 10UF 20% RLT 5X11
C153	157B-108M+K-OVI	CE 6.3V 1000UF 20%RLT 8X
C154	157E-108M+K-X9TI	CE 25V 1000U 20% RLT
DIODE		
D101, D102, D103, D104	4805-3930+2	DIODE 1N5393-B 200V 1.5A
D105, D106, D107, D108	4804-0040+2	DIODE IN4004-F AT
D109, D110, D111, D112, D113, D114, D115, D116	4805-3930+2	DIODE 1N5393-B 200V 1.5A
D117, D118	4804-1480+2	DIODE 1N4148T AT
D119, D120, D121, D122, D123, D124, D125, D126, D127, D128	4804-0040+2	DIODE IN4004-F AT
D129, D130, D131, D132, D133, D134, D135, D136, D137, D138, D139, D140, D147	4804-1480+2	DIODE 1N4148T AT
D141, D142, D143, D144, D145, D146, D148, D149, D150, D151, D152	4804-0040+2	DIODE IN4004-F AT
D129, D130, D131, D132, D133, D134, D135, D136, D137, D138, D139, D140, D147	4804-1480+2	DIODE 1N4148T AT
Z101	4837-27V0+2	DZ 1/2W 27V(26.2-27.6)AT

Reference No.	Part No.	Description
Z102, Z103, Z104	4837-5B11+2	DZ 1/2W 4.94~5.20V ROHM
Z105	4837-13C1+2	DZ 1/2W 13VC MTZJ13C
WAFER/SOCKET		
DP101	2101-1231+0	SPADE TERMINAL 6.3X0.8
J101B	2102-061S+004	6P ST. WAFER
P101B	2101-1536+0	FFC CONNECTOR 15P P1.0
P104B	2102-101S+004	WAFER 10P P2.5 ST.
P105A	2101-1641+0	WAFER (PCB/PCB) 16P P2.0
P106A	2101-1520+0	WAFER (PCB/PCB) 12P P2.0
P107, P108	2102-021S+004	2P ST.WAFER
P110B, P111B	2101-1641+0	WAFER (PCB/PCB) 16P P2.0
P120	2102-121S+004	12P ST.WAFER
P300	2102-031S+004	3 PIN ST. WAFER
P301A, P302A	2101-1520+0	WAFER (PCB/PCB) 12P P2.0
P402A, P403A, P406A	2101-1641+0	WAFER (PCB/PCB) 16P P2.0
P802A	2101-1621+0	WAFER (PCB/PCB) 10P P2.0
P803A	2101-1641+0	WAFER (PCB/PCB) 16P P2.0
P803B	2102-081S+004	WAFER 8P P2.5 ST.
U101, U102	2101-0841+0	PLCC SOCKET 44 PIN (4X11
WIRE		
P805B	7012-6769+0	CONN WIRE 10P P=2.0
TRANSISTOR		
Q101	485C-123J+5	TR DTC123JSATP ROHM
Q102	485C-114E+5	TR DTC114ES
Q106, Q107, Q108, Q109, Q110	485A-114E+5	TR DTA114ES ROHM
Q112	485C-123J+5	TR DTC123JSATP ROHM
Q113, Q114	485C-114E+5	TR DTC114ES
Q115	485A-114E+5	TR DTA114ES ROHM
Q116	485C-114E+5	TR DTC114ES
Q117, Q118	4851-241A+5	TR RN1241-A(TPE4/F)
Q119	485A-114E+5	TR DTA114ES ROHM
Q120	485C-123J+5	TR DTC123JSATP ROHM
Q121	485A-114E+5	TR DTA114ES ROHM
Q122	485C-2229+5	TR 2SC2229-OF HFE 70-140
Q123	485C-114E+5	TR DTC114ES
Q124	4860-0660+5	TR 2SA1015-GRF(T5L, T) RL
RESISTOR		
	4711-392A+2	RMF 1/8W 3.9K 1% AT
R101	4711-302A+2	RMF 1/8W 3K 1% AT
R102	4711-201A+2	RMF 1/8W 200R 1% AT
R103	4718-101J+C-X	RMF 1W 100R 5% ATS METAL

ARCAM *AVR350 SURROUND SOUND RECEIVER*

Reference No.	Part No.	Description
R105	4711-152A+2	RMF 1/8W 1.5K 1% AT
R106	4711-471A+2	RMF 1/8W 470R 1% AT
R107	4711-391A+C	RMF 1/8W 390R 1% ATS
R108	4711-221A+2	RMF 1/8W 220R 1% AT
R109	4718-100J+C-X	RMF 1W 10R 5% ATS METAL
R110, R111, R112, R113, R114	4711-392A+2	RMF 1/8W 3.9K 1% AT
R115	4711-563A+2	RMF 1/8W 56K 1% AT
R116	4711-202A+2	RMF 1/8W 2K 1% AT
R117	4711-563A+2	RMF 1/8W 56K 1% AT
R118	4711-392A+2	RMF 1/8W 3.9K 1% AT
R119, R121, R123	4711-563A+2	RMF 1/8W 56K 1% AT
R124	4711-392A+2	RMF 1/8W 3.9K 1% AT
R126	4711-103A+2	RMF 1/8W 10K 1% AT
R128, R129	4711-471A+2	RMF 1/8W 470R 1% AT
R130, R131, R133, R134, R135, R136	4711-332A+2	RMF 1/8W 3.3K 1% AT
R140	4711-392A+2	RMF 1/8W 3.9K 1% AT
R141, R142	4711-102A+2	RMF 1/8W 1K 1% AT
R143, R144, R145, R146	4711-472A+2	RMF 1/8W 4.7K 1% AT
R147	4711-302A+2	RMF 1/8W 3K 1% AT
R148	4715-102A+2	RMF 1/4W 1K 1% AT
R149	4711-681A+2	RMF 1/8W 680R 1% AT
R150	4711-392A+2	RMF 1/8W 3.9K 1% AT
R151, R152	4711-472A+2	RMF 1/8W 4.7K 1% AT
R153	4711-182A+2	RMF 1/8W 1.8K 1% AT
R154	4711-103A+2	RMF 1/8W 10K 1% AT
R155, R156	4711-392A+2	RMF 1/8W 3.9K 1% AT
R157	4711-152A+2	RMF 1/8W 1.5K 1% AT
R158, R159	4711-392A+2	RMF 1/8W 3.9K 1% AT
R160	4711-122A+2	RMF 1/8W 1.2K 1% AT
R161, R162	4711-202A+2	RMF 1/8W 2K 1% AT
R163, R164, R165	4711-122A+2	RMF 1/8W 1.2K 1% AT
R166	4711-103A+2	RMF 1/8W 10K 1% AT
R167, R168	4711-102A+2	RMF 1/8W 1K 1% AT
R169	4711-563A+2	RMF 1/8W 56K 1% AT
R170	4711-152A+2	RMF 1/8W 1.5K 1% AT
R171, R172	4711-563A+2	RMF 1/8W 56K 1% AT
R173, R174, R175, R176, R177, R178, R179, R180, R181	4711-332A+2	RMF 1/8W 3.3K 1% AT
R182, R183, R184	4718-R22J+2	RMF 1W 0.22R 5% AT
R185, R186	4711-332A+2	RMF 1/8W 3.3K 1% AT
R187	4717-4R7J+2-P	RMF 1/2W 4.7R 5% AT FP
R188	4711-471A+2	RMF 1/8W 470R 1% AT
R189	4711-221A+2	RMF 1/8W 220R 1% AT
R190, R191, R192, R193, R194, R195	4711-472A+2	RMF 1/8W 4.7K 1% AT
R196, R198	4711-221A+2	RMF 1/8W 220R 1% AT

ARCAM *AVR350 SURROUND SOUND RECEIVER*

Reference No.	Part No.	Description
R199	4719-4R7J+C-X	RMF 2W 4.7R 5% ATS METAL
IC		
U101	3132-1030+0	IC AT89S52-33JC 8BIT
U102	3132-1351+0	IC P89C669FA/00 8BIT
U103	3131-7250+0	IC AT24C08A-10PU 8K
U104	3130-3800+0	IC NJM7912FA-#ZZZB
U105	3130-2520+2	IC NJM7812FA-#ZZZB
U106	3130-2020+2	IC NJM7805FA-#ZZZB
U107	3130-8190+0	IC NJM78M56FA-#ZZZB
U108	3130-5610+0	IC LM317T REGULATOR
U109	3130-8190+0	IC NJM78M56FA-#ZZZB
U110	3130-6360+0	IC NJM7905FA-#ZZZB
U111	3130-7650+0	IC KIA7810API-U/P +10V
U112	3130-2020+2	IC NJM7805FA-#ZZZB
U113	3132-3191+0	IC BUS REGISTER HCF4094
U114	3130-8190+0	IC NJM78M56FA-#ZZZB
CRYSTAL		
CR101, CR102	2300-1920+0	X'TAL 11.0592 MHZ
HEATSINK		
U104A	5400-0831+0	HEATSINK
U105C, U106A	5400-1702+0	HEATSINK 23.5X17X50
U107A, U108A, U110A, U111B, U112A, U114A	5400-0831+0	HEATSINK
SCREW		
U104B, U105B	2954-3008+0000	SCREW B-TITE BIND M3X8
U104C, U105C, U106C, U107C, U108C, U110C, U111C, U112C, U114C	2954-2606+0000	SCREWS BT 2.6X6
U106B	2954-3008+0000	SCREW B-TITE BIND M3X8
U107B, U108B, U110B, U111A	2954-3008+0000	SCREW B-TITE BIND M3X8
U112B	2954-3008+0000	SCREW B-TITE BIND M3X8
U114B	2954-3008+0000	SCREW B-TITE BIND M3X8
MISCELLANEOUS		
F1, F2, F3, F4, F5, F6	1808-0680+0	FERRITE BEAD INDUCTOR
GND	4132-1061+0	SOLDER TAG
U105D	2601-3008+0801	FIBRE WASHER M3X0.8X8MM
U106D	2601-3008+0801	FIBRE WASHER M3X0.8X8MM
U111D	2601-3008+0801	FIBRE WASHER M3X0.8X8MM
U112D	2601-3008+0801	FIBRE WASHER M3X0.8X8MM

Reference No.	Part No.	Description
MULTI-CH ASSY		
PC BOARD		
	PCB-AV35034+MUTI	PCB ASSY MULTI-CH
PCB		
4000	1725-696A+0002	PCB MULTI/VIDEO AVR300 I
CAPACITOR		
C401, C402, C405, C408	157D-227M+K-OVY	CE 16V 220U 20% RLT
C409, C410	157D-476M+K-IUI	CE 16V 47UF 20% RLT
C413, C414	157D-227M+K-OVY	CE 16V 220U 20% RLT
C415	157D-106M+K-IUI	CE 16V 10UF 20% RLT 5X11
C416, C417	150F-104K+J-BD	CC 50V 0.1uF 10% 0805
C418	157C-226M+5-IUK	CE 10V 22UF 20% RL 5X11
C419	150F-104K+J-BD	CC 50V 0.1uF 10% 0805
C420	157G-226M+K-LITD	CE 20V 22U 20% RLT 6.3X5
C421, C422	150F-104K+J-BD	CC 50V 0.1uF 10% 0805
C423	157C-226M+5-IUK	CE 10V 22UF 20% RL 5X11
C424, C425	150F-104K+J-BD	CC 50V 0.1uF 10% 0805
C426	157D-476M+K-IUI	CE 16V 47UF 20% RLT
C427	150F-104K+J-BD	CC 50V 0.1uF 10% 0805
C428	157B-108M+K-OVI	CE 6.3V 1000UF 20%RLT 8X
C429	157C-228M+5-S9	CE 10V 2200uF 20% RL
C430	150F-103K+J-BD	CC 50V 0.01U 10% 0805
C431	150F-223K+J-BD	CC 50V 0.022U 10% 0805
C432	150F-104K+J-BD	CC 50V 0.1uF 10% 0805
C433	157D-227M+K-OVY	CE 16V 220U 20% RLT
C434, C435, C436, C437	150F-104K+J-BD	CC 50V 0.1uF 10% 0805
C438	157D-227M+K-OVY	CE 16V 220U 20% RLT
C440	150F-104K+J-BD	CC 50V 0.1uF 10% 0805
C441	150F-101J+J-BD	CC 50V 100pF 5% 0805 1.2
C442	157D-227M+K-OVY	CE 16V 220U 20% RLT
C444	150F-104K+J-BD	CC 50V 0.1uF 10% 0805
C445	150F-101J+J-BD	CC 50V 100pF 5% 0805 1.2
C446	157D-227M+K-OVY	CE 16V 220U 20% RLT
C448	150F-104K+J-BD	CC 50V 0.1uF 10% 0805
C449	150F-101J+J-BD	CC 50V 100pF 5% 0805 1.2
C450	157D-227M+K-OVY	CE 16V 220U 20% RLT
C452	150F-104K+J-BD	CC 50V 0.1uF 10% 0805
C453	150F-101J+J-BD	CC 50V 100pF 5% 0805 1.2
C454	157D-227M+K-OVY	CE 16V 220U 20% RLT
C456	150F-104K+J-BD	CC 50V 0.1uF 10% 0805
C457	150F-101J+J-BD	CC 50V 100pF 5% 0805 1.2
C458	157D-227M+K-OVY	CE 16V 220U 20% RLT
C460	150F-104K+J-BD	CC 50V 0.1uF 10% 0805

ARCAM *AVR350 SURROUND SOUND RECEIVER*

Reference No.	Part No.	Description
C461	150F-101J+J-BD	CC 50V 100pF 5% 0805 1.2
C462	157D-227M+K-OVY	CE 16V 220U 20% RLT
C464	150F-104K+J-BD	CC 50V 0.1uF 10% 0805
C465	150F-101J+J-BD	CC 50V 100pF 5% 0805 1.2
C466, C467, C468, C469, C470, C471, C472	153I-221J+9-NL	CM 63V 220pF 5% RB 7.5x6
C473	150F-330J+J-BD	CC 50V 33pF 5% 0805 1.2x
C474	157D-227M+K-OVY	CE 16V 220U 20% RLT
C475	150F-221J+J-BD	CC 50V 220pF 5% 0805
C476	150F-330J+J-BD	CC 50V 33pF 5% 0805 1.2x
C477	157D-227M+K-OVY	CE 16V 220U 20% RLT
C478	150F-221J+J-BD	CC 50V 220pF 5% 0805
C479	150F-330J+J-BD	CC 50V 33pF 5% 0805 1.2x
C480	157D-227M+K-OVY	CE 16V 220U 20% RLT
C481	150F-221J+J-BD	CC 50V 220pF 5% 0805
C482	150F-330J+J-BD	CC 50V 33pF 5% 0805 1.2x
C483	157D-227M+K-OVY	CE 16V 220U 20% RLT
C484	150F-221J+J-BD	CC 50V 220pF 5% 0805
C485	150F-330J+J-BD	CC 50V 33pF 5% 0805 1.2x
C486	157D-227M+K-OVY	CE 16V 220U 20% RLT
C487	150F-221J+J-BD	CC 50V 220pF 5% 0805
C488	150F-330J+J-BD	CC 50V 33pF 5% 0805 1.2x
C489	157D-227M+K-OVY	CE 16V 220U 20% RLT
C490	150F-221J+J-BD	CC 50V 220pF 5% 0805
C491	150F-330J+J-BD	CC 50V 33pF 5% 0805 1.2x
C492	157D-227M+K-OVY	CE 16V 220U 20% RLT
C493	150F-221J+J-BD	CC 50V 220pF 5% 0805
C494	150F-330J+J-BD	CC 50V 33pF 5% 0805 1.2x
C495	157D-227M+K-OVY	CE 16V 220U 20% RLT
C496	150F-221J+J-BD	CC 50V 220pF 5% 0805
C497, C498	157D-107M+K-IUI	CE 16V 100UF 20% RLT
C499	157D-477M+K-OVI	CE 16V 470UF 20% RLT
C500, C501, C502, C503, C504, C505, C506, C507, C508, C509, C510, C511, C512, C513, C514, C515, C516, C517, C518, C519, C520, C521, C522, C523, C525, C526	150F-104K+J-BD	CC 50V 0.1uF 10% 0805
C541, C542	157D-227M+K-OVY	CE 16V 220U 20% RLT
C543, C544	150F-104K+J-BD	CC 50V 0.1uF 10% 0805
C545, C546	150F-103K+J-BD	CC 50V 0.01U 10% 0805
C547, C549, C550, C553, C554, C557, C558, C561, C562, C565	150F-104K+J-BD	CC 50V 0.1uF 10% 0805
C566	150F-271J+J-BD	CC 50V 270PF 5% 0805
C567	150F-330J+J-BD	CC 50V 33pF 5% 0805 1.2x
C570	150F-104K+J-BD	CC 50V 0.1uF 10% 0805
C578	157D-476M+K-IUI	CE 16V 47UF 20% RLT
C579	150F-103K+J-BD	CC 50V 0.01U 10% 0805
C580	157D-476M+K-IUI	CE 16V 47UF 20% RLT
C581	150F-103K+J-BD	CC 50V 0.01U 10% 0805

ARCAM *AVR350 SURROUND SOUND RECEIVER*

Reference No.	Part No.	Description
C680	157F-107M+K-OVI	CE 50V 100U 20% RLT
DIODE		
D205, D206, D207, D208	4804-1480+3	DIODE LL4148 SM
Z401, Z402	4837-4V76+2	DZ 1/2W 4.7V TEMIC AT
SOCKET		
P402A, P403A	2101-1601+0	SOCKET (PCB/PCB) 16P
P404A	2101-1521+0	SOCKET (PCB/PCB) 12P
P406A	2101-1601+0	SOCKET (PCB/PCB) 16P
JACK		
VA401	2113-1774+0	JACK RCA 6P R/W GOLD W/O
VA402	2113-1772+0	JACK RCA 2P BL/BL GOLD W
VA403	2113-1774+0	JACK RCA 6P R/W GOLD W/O
VA404	2113-1772+0	JACK RCA 2P BL/BL GOLD W
WIRE		
P101B	7012-6678+0	CONN WIRE 6P P=2.5 28AWG
P105B	7012-6677+0	CONN WIRE 8P P=2.5 28AWG
SP401	7012-6765+1	CONN WIRE UL1015 14AWG
SP402	7012-6825+1	CONN WIRE UL1015 22AWG
TRANSISTOR		
Q401, Q402, Q403, Q404, Q405, Q406, Q407, Q408, Q409, Q410, Q411, Q412, Q413, Q414, Q415, Q416	4851-241A+5	TR RN1241-A(TPE4/F)
Q417	4860-0050+5	TR SS8050C/DTA RL
Q418	4860-0060+5	TR SS8550 C/D RL
RESISTOR		
R401, R402, R403, R404	4720-512A+J	RMG 1/10W 5.1K 1% 0805
R405	4720-123A+J	RMG 1/10W 12K 1% 0805
R406, R407	4720-512A+J	RMG 1/10W 5.1K 1% 0805
R408	4720-113A+J	RMG 1/10W 11K 1% 0805
R409	4720-330J+J	RMG 1/10W 33R 5% 0805
R410, R411	4720-512J+J	RMG 1/10W 5.1K 5% 0805
R412, R413	4711-331A+2	RMF 1/8W 330R 1% AT
R415	4720-202J+J	RMG 1/10W 2K 5% 0805
R416	4720-223J+J	RMG 1/10W 22K 5% 0805
R418	4720-102J+J	RMG 1/10W 1K 5% 0805
R419, R420	4720-472J+J	RMG 1/10W 4.7K 5% 0805
R421	4720-102J+J	RMG 1/10W 1K 5% 0805
R422, R423	4720-472J+J	RMG 1/10W 4.7K 5% 0805
R424	4720-512J+J	RMG 1/10W 5.1K 5% 0805
R425	4720-392J+J	RMG 1/10W 3.9K 5% 0805

ARCAM *AVR350 SURROUND SOUND RECEIVER*

Reference No.	Part No.	Description
R426	4720-393A+J	RMG 1/10W 39K 1% 0805
R427	4720-472J+J	RMG 1/10W 4.7K 5% 0805
R428	4720-512J+J	RMG 1/10W 5.1K 5% 0805
R429	4720-392J+J	RMG 1/10W 3.9K 5% 0805
R430	4720-393A+J	RMG 1/10W 39K 1% 0805
R431	4720-472J+J	RMG 1/10W 4.7K 5% 0805
R432	4720-512J+J	RMG 1/10W 5.1K 5% 0805
R433	4720-392J+J	RMG 1/10W 3.9K 5% 0805
R434	4720-393A+J	RMG 1/10W 39K 1% 0805
R435	4720-472J+J	RMG 1/10W 4.7K 5% 0805
R436	4720-512J+J	RMG 1/10W 5.1K 5% 0805
R437	4720-392J+J	RMG 1/10W 3.9K 5% 0805
R438	4720-393A+J	RMG 1/10W 39K 1% 0805
R439	4720-472J+J	RMG 1/10W 4.7K 5% 0805
R440	4720-512J+J	RMG 1/10W 5.1K 5% 0805
R441	4720-392J+J	RMG 1/10W 3.9K 5% 0805
R442	4720-393A+J	RMG 1/10W 39K 1% 0805
R443	4720-472J+J	RMG 1/10W 4.7K 5% 0805
R444	4720-512J+J	RMG 1/10W 5.1K 5% 0805
R445	4720-392J+J	RMG 1/10W 3.9K 5% 0805
R446	4720-393A+J	RMG 1/10W 39K 1% 0805
R447	4720-472J+J	RMG 1/10W 4.7K 5% 0805
R448	4720-512J+J	RMG 1/10W 5.1K 5% 0805
R449	4720-392J+J	RMG 1/10W 3.9K 5% 0805
R450	4720-393A+J	RMG 1/10W 39K 1% 0805
R451, R452	4720-472J+J	RMG 1/10W 4.7K 5% 0805
R453, R454	4720-000J+J	RMG 1/10W 0R 5% 0805
R455	4720-472J+J	RMG 1/10W 4.7K 5% 0805
R456, R457	4720-000J+J	RMG 1/10W 0R 5% 0805
R458	4720-472J+J	RMG 1/10W 4.7K 5% 0805
R459, R460	4720-000J+J	RMG 1/10W 0R 5% 0805
R461	4720-472J+J	RMG 1/10W 4.7K 5% 0805
R462, R463	4720-000J+J	RMG 1/10W 0R 5% 0805
R464	4720-472J+J	RMG 1/10W 4.7K 5% 0805
R465, R466	4720-000J+J	RMG 1/10W 0R 5% 0805
R467	4720-472J+J	RMG 1/10W 4.7K 5% 0805
R468, R469	4720-000J+J	RMG 1/10W 0R 5% 0805
R470	4720-472J+J	RMG 1/10W 4.7K 5% 0805
R471, R472	4720-000J+J	RMG 1/10W 0R 5% 0805
R473	4720-472J+J	RMG 1/10W 4.7K 5% 0805
R633, R634	4720-000J+J	RMG 1/10W 0R 5% 0805
R474	4720-432J+J	RMG 1/10W 4.3K 5% 0805
R475, R476	4720-221J+J	RMG 1/10W 220R 5% 0805
R477	4720-104J+J	RMG 1/10W 100K 5% 0805
R478	4720-330J+J	RMG 1/10W 33R 5% 0805

ARCAM AVR350 SURROUND SOUND RECEIVER

Reference No.	Part No.	Description
R479	4720-202J+J	RMG 1/10W 2K 5% 0805
R480	4720-472J+J	RMG 1/10W 4.7K 5% 0805
R481	4720-432J+J	RMG 1/10W 4.3K 5% 0805
R482, R483	4720-221J+J	RMG 1/10W 220R 5% 0805
R484	4720-104J+J	RMG 1/10W 100K 5% 0805
R487	4720-472J+J	RMG 1/10W 4.7K 5% 0805
R488	4720-432J+J	RMG 1/10W 4.3K 5% 0805
R489, R490	4720-221J+J	RMG 1/10W 220R 5% 0805
R491	4720-104J+J	RMG 1/10W 100K 5% 0805
R494	4720-472J+J	RMG 1/10W 4.7K 5% 0805
R495	4720-432J+J	RMG 1/10W 4.3K 5% 0805
R496, R497	4720-221J+J	RMG 1/10W 220R 5% 0805
R498	4720-104J+J	RMG 1/10W 100K 5% 0805
R499	4711-101A+2	RMF 1/8W 100R 1% AT
R501	4720-472J+J	RMG 1/10W 4.7K 5% 0805
R502	4720-432J+J	RMG 1/10W 4.3K 5% 0805
R503, R504	4720-221J+J	RMG 1/10W 220R 5% 0805
R505	4720-104J+J	RMG 1/10W 100K 5% 0805
R508	4720-472J+J	RMG 1/10W 4.7K 5% 0805
R509	4720-432J+J	RMG 1/10W 4.3K 5% 0805
R510, R511	4720-221J+J	RMG 1/10W 220R 5% 0805
R512	4720-104J+J	RMG 1/10W 100K 5% 0805
R515	4720-472J+J	RMG 1/10W 4.7K 5% 0805
R516	4720-432J+J	RMG 1/10W 4.3K 5% 0805
R517, R518	4720-221J+J	RMG 1/10W 220R 5% 0805
R519	4720-104J+J	RMG 1/10W 100K 5% 0805
R522	4720-472J+J	RMG 1/10W 4.7K 5% 0805
R523	4720-752J+J	RMG 1/10W 7.5K 5% 0805
R524, R525	4720-221J+J	RMG 1/10W 220R 5% 0805
R526	4720-104J+J	RMG 1/10W 100K 5% 0805
R530, R531	4720-242A+J	RMG 1/10W 2.4K 1% 0805
R532, R533	4720-103J+J	RMG 1/10W 10K 5% 0805
R534, R535	4720-203J+J	RMG 1/10W 20K 5% 0805
R536	4715-101A+2	RMF 1/4W 100R 1% AT
R537, R538, R540	4720-102J+J	RMG 1/10W 1K 5% 0805
R541	4720-133A+J	RMG 1/10W 13K 1% 0805
R543	4720-592A+J	RMG 1/10W 5.9K 1% 0805
R544	4720-393A+J	RMG 1/10W 39K 1% 0805
R545	4720-133A+J	RMG 1/10W 13K 1% 0805
R546	4720-393A+J	RMG 1/10W 39K 1% 0805
R547	4720-592A+J	RMG 1/10W 5.9K 1% 0805
R549, R550	4720-102J+J	RMG 1/10W 1K 5% 0805
R551	4720-133A+J	RMG 1/10W 13K 1% 0805
R553	4720-592A+J	RMG 1/10W 5.9K 1% 0805
R554	4720-393A+J	RMG 1/10W 39K 1% 0805

ARCAM *AVR350 SURROUND SOUND RECEIVER*

Reference No.	Part No.	Description
R555	4720-133A+J	RMG 1/10W 13K 1% 0805
R556	4720-393A+J	RMG 1/10W 39K 1% 0805
R557	4720-592A+J	RMG 1/10W 5.9K 1% 0805
R559, R560	4720-102J+J	RMG 1/10W 1K 5% 0805
R561	4720-133A+J	RMG 1/10W 13K 1% 0805
R563	4720-592A+J	RMG 1/10W 5.9K 1% 0805
R564	4720-393A+J	RMG 1/10W 39K 1% 0805
R565	4720-133A+J	RMG 1/10W 13K 1% 0805
R566	4720-393A+J	RMG 1/10W 39K 1% 0805
R567	4720-592A+J	RMG 1/10W 5.9K 1% 0805
R569, R570	4720-102J+J	RMG 1/10W 1K 5% 0805
R571	4720-133A+J	RMG 1/10W 13K 1% 0805
R573	4720-592A+J	RMG 1/10W 5.9K 1% 0805
R574	4720-393A+J	RMG 1/10W 39K 1% 0805
R575	4720-133A+J	RMG 1/10W 13K 1% 0805
R576	4720-393A+J	RMG 1/10W 39K 1% 0805
R577	4720-592A+J	RMG 1/10W 5.9K 1% 0805
R579, R580	4711-102A+2	RMF 1/8W 1K 1% AT
R581	4720-152J+J	RMG 1/10W 1.5K 5% 0805
R582	4720-393A+J	RMG 1/10W 39K 1% 0805
R583	4720-392J+J	RMG 1/10W 3.9K 5% 0805
R585, R586	4720-123A+J	RMG 1/10W 12K 1% 0805
R599	4720-392J+J	RMG 1/10W 3.9K 5% 0805
R600, R601	4720-512A+J	RMG 1/10W 5.1K 1% 0805
R602, R611, R612	4720-102J+J	RMG 1/10W 1K 5% 0805
R613, R614, R615, R616, R617, R618, R619, R620	4720-101J+J	RMG 1/10W 100R 5% 0805
R623	4715-103A+2	RMF 1/4W 10K 1% AT
R624, R625, R626, R627, R628, R629, R630, R631	4720-103J+J	RMG 1/10W 10K 5% 0805
R635	4720-473J+J	RMG 1/10W 47K 5% 0805
IC		
U401	3132-0980+0	IC WM8770SIFT 8CH
U403, U404	3132-0440+0	IC CD74HC4053M96 SO-16
U405	3130-2020+2	IC NJM7805FA-#ZZZB
U406, U407, U408, U409, U410, U411, U412, U413, U414, U415, U416, U417	3131-7310+0	IC OPA2134UA/2K5 SOP8
U418, U419, U420, U421, U422, U423	3132-0420+0	IC CD74HC4052M96 SO-16
U625	3132-1481+0	IC REG NCP1117ST33T3G
HEATSINK		
U405C	5400-0831+0	HEATSINK
SCREW		
U405A	2954-2606+0000	SCREWS BT 2.6X6

ARCAM *AVR350 SURROUND SOUND RECEIVER*

Reference No.	Part No.	Description
U405B	2954-3008+0000	SCREW B-TITE BIND M3X8
PHONE ASSY		
PC BOARD		
	PCB-AV35034+PHO	PCB ASSY PHONE
PCB		
	1725-833A+0000	PCB KEY/TUN/PSU/PHONE
CAPACITOR		
C801, C802, C803, C804	150F-102K+2-FC	CC 50V 1000pF 10% AT 3.5
DIODE		
D1	4804-1480+2	DIODE 1N4148T AT
WAFER		
P807A	2102-080S+003	8P ST. WAFER P=2.0
JACK		
JA801, JA802	2113-3130+0	JACK STEREO 3.5MM
WIRE		
P1002B	7012-6675+0	CONN WIRE 2P P=2.5 26AWG
P801	7012-6761+0	CONN WIRE 3P P=2.5 380MM
P806B	7012-6685+0	CONN WIRE 4P P=2.5 26AWG
RELAY		
RE880	4500-0600+1	RELAY BP-9 9VDC BESTAR
TRANSISTOR		
Q1	485C-123J+5	TR DTC123JSATP ROHM
RESISTOR		
R801, R802	4711-472A+C	RMF 1/8W 4.7K 1% ATS
P-MAIN ASSY		
PC BOARD		
	PCB-AV35034+PMIN	PCB ASSY P-MAIN
PCB		
	1725-697A+0001	PCB PMAIN AVR300 E

ARCAM *AVR350 SURROUND SOUND RECEIVER*

Reference No.	Part No.	Description
<i>CAPACITOR</i>		
C820, C821, C822, C823	157I-129M+5-^U	CE 63V 12000U 20% RL
C824, C825, C826, C827, C828, C829, C830	150F-102K+2-FC	CC 50V 1000pF 10% AT 3.5
C831, C832, C833, C834, C835, C836, C837, C875, C876, C877, C878, C879, C880, C881	150F-104K+2-FC	CC 50V 0.1UF 10% AT
<i>DIODE</i>		
D810, D811, D812	4804-0040+2	DIODE IN4004-F AT
<i>WAFER</i>		
N801, N802, N803, N804, N805, N806, N807, N808, N809, N810	2101-1231+0	SPADE TERMINAL 6.3X0.8
P103B, P105B	2101-1811+0	8P PIN CONNECTOR P=3.96
P804A	2101-1621+0	WAFER (PCB/PCB) 10P P2.0
P806A	2102-041S+004	4P ST.WAFER
<i>TERMINAL</i>		
SP801	2113-1770+0	TERMINAL SPEAKER 4P
SP802	2113-1771+0	TERMINAL SPEAKER 2P
SP803, SP804	2113-1770+0	TERMINAL SPEAKER 4P
<i>WIRE</i>		
P803A	7012-6676+0	CONN WIRE 8P P=2.5 26AWG
<i>COIL</i>		
L801, L802, L803, L804, L805, L806, L807	1804-0540+0	SPRING COIL 1MH
<i>RELAY</i>		
RE801	4500-0910+0	RELAY 24VDC, 125VA, 3A
RE802	4500-0900+0	RELAY 24VDC, 250VAC, 10A
RE803, RE804	4500-0910+0	RELAY 24VDC, 125VA, 3A
RE805, RE806	4500-0580+0	RELAY 24V 30A DC 2P1T-6P
<i>TRANSISTOR</i>		
Q822, Q823, Q824	485C-123J+5	TR DTC123JSATP ROHM
<i>RESISTOR</i>		
R820, R821, R822, R823, R824, R825, R826, R827, R828, R829, R830, R831, R832, R833	4718-100J+C-X	RMF 1W 10R 5% ATS METAL
R851, R852	4718-391J+2-X	RMF 1W 390R 5% AT
<i>MISCELLANEOUS</i>		
RE801, RE802, RE803, RE804	4157-0491+0	RUBBER PAD 15X6MM

ARCAM *AVR350 SURROUND SOUND RECEIVER*

<u>Reference No.</u>	<u>Part No.</u>	<u>Description</u>
POWER ASSY		
<i>PC BOARD</i>		
	PCB-AV35034+PWR	PCB ASSY POWER
<i>PCB</i>		
	1725-695A+0001	PCB AMP1/AMP2/SW/RECT/
TERMINAL		
PD101, PD102, PD103	2101-1231+0	SPADE TERMINAL 6.3X0.8
INLET		
JK101	2113-1345+0	AC INLET (PCB MOUNT)
RECTIFIER ASSY		
<i>PC BOARD</i>		
	PCB-AV35034+RECT	PCB ASSY RECTIFIER
<i>PCB</i>		
	1725-695A+0001	PCB AMP1/AMP2/SW/RECT/
CAPACITOR		
C812	153R-224K+5-Y1	CM 250V 0.22uF 10% RL
DIODE		
BR101	4840-8630+0	DIODE BRIDGE RECTIFIER
WIRE		
N815A	7012-6741+0	CONN WIRE UL1015 14AWG
N816A	7012-6742+0	CONN WIRE UL1015 14AWG
N817A, N818A	7012-6743+0	CONN WIRE UL1015 14AWG
SWITCH ASSY		
<i>PC BOARD</i>		
	PCB-AV35034+SW	PCB ASSY SWITCH
<i>PCB</i>		
	1725-695A+0001	PCB AMP1/AMP2/SW/RECT/
CAPACITOR		
C870	150T-152M+5-XO	CC 400V 1500P 20% RL
SWITCH		
SW803	5200-4868+0	POWER SWITCH TV-8 10A

ARCAM *AVR350 SURROUND SOUND RECEIVER*

Reference No.	Part No.	Description
VIDEO ASSY		
PC BOARD		
	PCB-AV35034+VID	PCB ASSY VIDEO
PCB		
8000	1725-696A+0002	PCB MULTI/VIDEO AVR300 I
CAPACITOR		
C8001	150F-150J+J-BD	CC 50V 15pF 5% 0805 1.2x
C8002	150F-100J+J-BD	CC 50V 10pF 5% 0805 1.2x
C8003	153I-103J+9-NL	CM 63V 0.01uF 5% RB 7.5x
C801, C802, C803, C804, C805	15CH-220J+J-BD	CTC 0/60 22PF 5% 0805
C806, C807, C808	150F-470J+J-BD	CC 50V 47pF 5% 0805 1.2x
C809	157F-105M+K-IUI	CE 50V 1UF 20% RLT 5X11
C810	157B-477M+K-LUI	CE 6.3V 470UF 20% RLT
C812	157F-474M+K-IUI	CE 50V 0.47UF 20% RLT
C813	150F-122K+J-BD	CC 50V 1200pF 10% 0805 1
C814	150E-474M+J-BD	CC 25V 0.47U 20% 0805
C815	157F-105M+K-IUI	CE 50V 1UF 20% RLT 5X11
C816	150F-223K+J-BD	CC 50V 0.022U 10% 0805
C817	15CH-220J+J-BD	CTC 0/60 22PF 5% 0805
C818	157F-474M+K-IUI	CE 50V 0.47UF 20% RLT
C819	1551-0210+0	TRIMCAP 5.2-30P
C820	150F-682K+J-BD	CC 50V 6800pF 10% 0805 1
C821	150F-103K+J-BD	CC 50V 0.01U 10% 0805
C822	153I-103J+9-NL	CM 63V 0.01uF 5% RB 7.5x
C823, C824	150F-103K+J-BD	CC 50V 0.01U 10% 0805
C825	157F-474M+K-IUI	CE 50V 0.47UF 20% RLT
C826	157D-107M+K-IUI	CE 16V 100UF 20% RLT
C827	157B-108M+K-OVI	CE 6.3V 1000UF 20%RLT 8X
C828, C829	157D-106M+K-IUI	CE 16V 10UF 20% RLT 5X11
C830	153I-103J+9-NL	CM 63V 0.01uF 5% RB 7.5x
C831	150F-103K+J-BD	CC 50V 0.01U 10% 0805
C832	153I-103J+9-NL	CM 63V 0.01uF 5% RB 7.5x
C833	150F-103K+J-BD	CC 50V 0.01U 10% 0805
C834	153I-103J+9-NL	CM 63V 0.01uF 5% RB 7.5x
C835	150F-103K+J-BD	CC 50V 0.01U 10% 0805
C836	153I-103J+9-NL	CM 63V 0.01uF 5% RB 7.5x
C837	153F-681J+K-IM	CM 50V 680p 5% RLT 5x7
C838	157F-225M+K-IUI	CE 50V 2.2U 20% RLT
C839	157D-106M+K-IUI	CE 16V 10UF 20% RLT 5X11
C840	153I-103J+9-NL	CM 63V 0.01uF 5% RB 7.5x
C842, C843	150F-223K+J-BD	CC 50V 0.022U 10% 0805
C844	157F-225M+K-IUI	CE 50V 2.2U 20% RLT
C845	157D-106M+K-IUI	CE 16V 10UF 20% RLT 5X11

ARCAM *AVR350 SURROUND SOUND RECEIVER*

Reference No.	Part No.	Description
C846, C847	150F-220J+J-BD	CC 50V 22pF 5% 0805 1.2x
C848	150F-223K+J-BD	CC 50V 0.022U 10% 0805
C849, C850	157F-225M+K-IUI	CE 50V 2.2U 20% RLT
C851	150F-223K+J-BD	CC 50V 0.022U 10% 0805
C852, C853, C854, C855, C856, C857, C858, C859, C860, C861, C862, C863, C864, C865, C866, C867, C868, C869	157F-225M+K-IUI	CE 50V 2.2U 20% RLT
C870	157D-477M+K-OVI	CE 16V 470UF 20% RLT
C871	157D-106M+K-IUI	CE 16V 10UF 20% RLT 5X11
C872	157D-477M+K-OVI	CE 16V 470UF 20% RLT
C873	157D-106M+K-IUI	CE 16V 10UF 20% RLT 5X11
C874	157D-477M+K-OVI	CE 16V 470UF 20% RLT
C875, C876	157D-106M+K-IUI	CE 16V 10UF 20% RLT 5X11
C877	157D-108M+K-S5I	CE 16V 1000UF 20% RLT
C878, C879	157D-477M+K-OVI	CE 16V 470UF 20% RLT
C880, C881, C882, C883, C884	157F-225M+K-IUI	CE 50V 2.2U 20% RLT
C885	150F-103K+J-BD	CC 50V 0.01U 10% 0805
C886	150F-470J+J-BD	CC 50V 47pF 5% 0805 1.2x
C887, C889, C890, C891	150F-103K+J-BD	CC 50V 0.01U 10% 0805
C892	150F-104K+J-BD	CC 50V 0.1uF 10% 0805
C893, C894, C895, C896	150F-103K+J-BD	CC 50V 0.01U 10% 0805
C897, C898, C899, C900	157D-476M+K-IUI	CE 16V 47UF 20% RLT
C901	150F-103K+J-BD	CC 50V 0.01U 10% 0805
C902, C903, C904, C905, C906	157F-225M+K-IUI	CE 50V 2.2U 20% RLT
C907, C908	157D-476M+K-IUI	CE 16V 47UF 20% RLT
C909, C910, C911, C912, C913	150F-103K+J-BD	CC 50V 0.01U 10% 0805
C916	150F-120J+J-BD	CC 50V 12pF 5% 0805 1.2x
C917	15CH-220J+J-BD	CTC 0/60 22PF 5% 0805
C918, C919	153I-104K+9-NL	CM 63V 0.1uF 10% RB 7.5x
C920	157D-107M+K-IUI	CE 16V 100UF 20% RLT
C921	153I-104K+9-NL	CM 63V 0.1uF 10% RB 7.5x
C922	150F-103K+J-BD	CC 50V 0.01U 10% 0805
C923	157F-225M+K-IUI	CE 50V 2.2U 20% RLT
C924	157D-477M+K-OVI	CE 16V 470UF 20% RLT
C925	150F-104K+J-BD	CC 50V 0.1uF 10% 0805
C927	157D-106M+K-IUI	CE 16V 10UF 20% RLT 5X11
C928, C929	157D-477M+K-OVI	CE 16V 470UF 20% RLT
C930	157D-107M+K-IUI	CE 16V 100UF 20% RLT
C932	157D-108M+K-S5I	CE 16V 1000UF 20% RLT
C933, C934, C935	157D-477M+K-OVI	CE 16V 470UF 20% RLT
C937, C938, C939, C940	150F-103K+J-BD	CC 50V 0.01U 10% 0805
C941	157D-476M+K-IUI	CE 16V 47UF 20% RLT
C943	150F-330J+J-BD	CC 50V 33pF 5% 0805 1.2x
C944	150F-104K+J-BD	CC 50V 0.1uF 10% 0805
C945, C946, C947	157D-476M+K-IUI	CE 16V 47UF 20% RLT
C948	157F-225M+K-IUI	CE 50V 2.2U 20% RLT

ARCAM *AVR350 SURROUND SOUND RECEIVER*

Reference No.	Part No.	Description
C949, C950	157D-106M+K-IUI	CE 16V 10UF 20% RLT 5X11
C951	157D-226M+K-IUI	CE 16V 22UF 20% RLT 5X11
C952, C953, C954, C955	157D-476M+K-IUI	CE 16V 47UF 20% RLT
C956	150F-103K+J-BD	CC 50V 0.01U 10% 0805
C957	157D-106M+K-IUI	CE 16V 10UF 20% RLT 5X11
C958	157D-477M+K-OVI	CE 16V 470UF 20% RLT
C959, C960	15CH-120J+J-BD	CTC 0/60 12pF 5% 0805
C961	157F-224M+K-IUI	CE 50V 0.22UF 20% RLT
C962	150F-222K+J-BD	CC 50V 2200pF 10% 0805 1
C963	153I-103J+9-NL	CM 63V 0.01uF 5% RB 7.5x
C964, C965	153I-104K+9-NL	CM 63V 0.1uF 10% RB 7.5x
C966, C967	157F-225M+K-IUI	CE 50V 2.2U 20% RLT
C968	150F-223K+J-BD	CC 50V 0.022U 10% 0805
C969	157D-108M+K-S5I	CE 16V 1000UF 20% RLT
C970	150F-103K+J-BD	CC 50V 0.01U 10% 0805
C971, C972, C973	150F-104K+J-BD	CC 50V 0.1uF 10% 0805
C974, C975, C976	153I-104K+9-NL	CM 63V 0.1uF 10% RB 7.5x
C977	157B-108M+K-OVI	CE 6.3V 1000UF 20%RLT 8X
C978	150F-103K+J-BD	CC 50V 0.01U 10% 0805
C979, C980	150F-104K+J-BD	CC 50V 0.1uF 10% 0805
C981	153I-104K+9-NL	CM 63V 0.1uF 10% RB 7.5x
C983	157D-476M+K-IUI	CE 16V 47UF 20% RLT
C984	150F-103K+J-BD	CC 50V 0.01U 10% 0805
C985, C986, C987	153I-104K+9-NL	CM 63V 0.1uF 10% RB 7.5x
C988	157D-106M+K-IUI	CE 16V 10UF 20% RLT 5X11
C989	153I-104K+9-NL	CM 63V 0.1uF 10% RB 7.5x
C990, C991	153I-474K+9-NL	CM 63V 0.47uF 10% RB 7.5
C992	157D-476M+K-IUI	CE 16V 47UF 20% RLT
C993	150F-103K+J-BD	CC 50V 0.01U 10% 0805
C994, C995, C996	157F-105M+K-IUI	CE 50V 1UF 20% RLT 5X11
C997, C998	153I-474K+9-NL	CM 63V 0.47uF 10% RB 7.5
DIODE		
D801, D802, D803, D805, D807, D808, D810, D811, D813, D825	4804-1480+3	DIODE LL4148 SM
WAFER/SOCKET		
P801	2102-021S+004	2P ST.WAFER
P801A	2102-100S+003	WAFER 10 PIN P2
P802	2101-1801+0	SOCKET (PCB/PCB) 10P
P803	2101-1601+0	SOCKET (PCB/PCB) 16P
P803B	2102-061S+004	6P ST. WAFER
JACK		
AV	2113-3052+1	1P RCA YELLOW 1P

ARCAM *AVR350 SURROUND SOUND RECEIVER*

Reference No.	Part No.	Description
DVD IN	2113-3052+1	1P RCA YELLOW 1P
MONI	2113-3052+1	1P RCA YELLOW 1P
SAT IN, VCR1 IN, VCR1 OUT, VCR2 IN, VCR2 OUT	2113-3052+1	1P RCA YELLOW 1P
COIL		
L801	1801-2R2M+M	COIL 2.2UH 20% AL BL7
L802	1801-101K+M-2	COIL 100UH 10% AT
L804, L805, L806	1801-101K+M-2	COIL 100UH 10% AT
L809	1807-270J+O	COIL 27UH 5% 7.2X8 RLT
L811, L812, L813, L814, L815, L816	1801-101K+M-2	COIL 100UH 10% AT
L818	1801-270K+M	COIL 27 UH, 10%, AL, BL7
L819	1801-3R9K+M	COIL 3.9U 10% BL=7MM
CRYSTAL		
X801	2300-3020+0	X'TAL 14.318MHZ +-20PPM
X802	2300-3030+0	X'TAL 17.734MHZ +-20PPM
X803	2300-2360+0	CRTSTAL HC-49/V03 4.4336
X804	2300-2350+0	CRTSTAL HC-49/V03 3.5795
X805	2703-0910+0	CR 503KHZ RLT
TRANSISTOR		
Q801	4860-1590+5	TR 2SC1740STPR
Q802, Q803, Q804, Q805, Q806	4860-8120+G	TR 2SD1468S TPS ROHM
Q809, Q810, Q812, Q813	485A-933S+5	TR 2SA933ASTPR HFE
Q821	4860-8120+G	TR 2SD1468S TPS ROHM
Q822, Q823, Q824	485C-114E+5	TR DTC114ES
Q825	485A-933S+5	TR 2SA933ASTPR HFE
Q826	4860-1590+5	TR 2SC1740STPR
Q827	485A-933S+5	TR 2SA933ASTPR HFE
Q828, Q829, Q830, Q831	4860-1590+5	TR 2SC1740STPR
Q832	485A-933S+5	TR 2SA933ASTPR HFE
Q833	4860-1590+5	TR 2SC1740STPR
Q834	485A-933S+5	TR 2SA933ASTPR HFE
Q835, Q836, Q837, Q838, Q839	485C-114E+5	TR DTC114ES
Q840, Q841	4860-1590+5	TR 2SC1740STPR
Q842	485A-933S+5	TR 2SA933ASTPR HFE
Q843	4860-8120+G	TR 2SD1468S TPS ROHM
Q9011	485C-114E+5	TR DTC114ES
Q9012	4860-8120+G	TR 2SD1468S TPS ROHM
Q9013, Q9014	485C-114E+5	TR DTC114ES
Q910	4860-8120+G	TR 2SD1468S TPS ROHM
RESISTOR		
R801, R802, R803, R804, R805, R806, R807, R808, R809	4720-102J+J	RMG 1/10W 1K 5% 0805

ARCAM *AVR350 SURROUND SOUND RECEIVER*

Reference No.	Part No.	Description
R810	4720-104J+J	RMG 1/10W 100K 5% 0805
R811	4720-752J+J	RMG 1/10W 7.5K 5% 0805
R813	4720-472J+J	RMG 1/10W 4.7K 5% 0805
R814	4720-221J+J	RMG 1/10W 220R 5% 0805
R815	4720-824J+J	RMG 1/10W 820K 5% 0805
R816	4720-152J+J	RMG 1/10W 1.5K 5% 0805
R817	4720-682J+J	RMG 1/10W 6.8K 5% 0805
R818	4720-121J+J	RMG 1/10W 120R 5% 0805
R819	4720-102J+J	RMG 1/10W 1K 5% 0805
R820	4720-473J+J	RMG 1/10W 47K 5% 0805
R821	4720-272J+J	RMG 1/10W 2.7K 5% 0805
R822, R823, R824, R825, R826, R827	4720-750J+J	RMG 1/10W 75R 5% 0805
R828	4720-122J+J	RMG 1/10W 1.2K 5% 0805
R829	4720-682J+J	RMG 1/10W 6.8K 5% 0805
R830	4720-392J+J	RMG 1/10W 3.9K 5% 0805
R831	4720-331J+J	RMG 1/10W 330R 5% 0805
R832	4720-122J+J	RMG 1/10W 1.2K 5% 0805
R833	4720-682J+J	RMG 1/10W 6.8K 5% 0805
R834, R835	4720-821J+J	RMG 1/10W 820R 5% 0805
R836	4720-123J+J	RMG 1/10W 12K 5% 0805
R838	4720-333J+J	RMG 1/10W 33K 5% 0805
R839	4720-222J+J	RMG 1/10W 2.2K 5% 0805
R840	4720-750J+J	RMG 1/10W 75R 5% 0805
R841	4720-472J+J	RMG 1/10W 4.7K 5% 0805
R842, R843	4720-750J+J	RMG 1/10W 75R 5% 0805
R845	4720-102J+J	RMG 1/10W 1K 5% 0805
R846	4720-302J+J	RMG 1/10W 3K 5% 0805
R848	4720-333J+J	RMG 1/10W 33K 5% 0805
R849	4720-000J+J	RMG 1/10W 0R 5% 0805
R850	4720-103J+J	RMG 1/10W 10K 5% 0805
R851	4720-330J+J	RMG 1/10W 33R 5% 0805
R852	4720-302J+J	RMG 1/10W 3K 5% 0805
R856	4720-561J+J	RMG 1/10W 560R 5% 0805
R858	4720-103J+J	RMG 1/10W 10K 5% 0805
R860	4720-472J+J	RMG 1/10W 4.7K 5% 0805
R861	4720-202J+J	RMG 1/10W 2K 5% 0805
R862	4720-102J+J	RMG 1/10W 1K 5% 0805
R863	4720-000J+J	RMG 1/10W 0R 5% 0805
R864, R865, R866, R867, R868, R869, R870, R871, R872, R873, R874, R875, R876, R877, R878	4720-820J+J	RMG 1/10W 82R 5% 0805
R879, R881, R883	4720-750J+J	RMG 1/10W 75R 5% 0805
R884, R886, R887, R888	4720-302J+J	RMG 1/10W 3K 5% 0805
R889	4720-122J+J	RMG 1/10W 1.2K 5% 0805
R890	4720-821J+J	RMG 1/10W 820R 5% 0805
R891	4720-122J+J	RMG 1/10W 1.2K 5% 0805

ARCAM *AVR350 SURROUND SOUND RECEIVER*

Reference No.	Part No.	Description
R892, R893	4720-101J+J	RMG 1/10W 100R 5% 0805
R894	4720-561J+J	RMG 1/10W 560R 5% 0805
R895	4720-122J+J	RMG 1/10W 1.2K 5% 0805
R896	4720-123J+J	RMG 1/10W 12K 5% 0805
R897, R898	4720-221J+J	RMG 1/10W 220R 5% 0805
R899, R900, R901	4720-561J+J	RMG 1/10W 560R 5% 0805
R9010	4720-101J+J	RMG 1/10W 100R 5% 0805
R9011	4720-362J+J	RMG 1/10W 3.6K 5% 0805
R9012	4720-123J+J	RMG 1/10W 12K 5% 0805
R9013	4720-472J+J	RMG 1/10W 4.7K 5% 0805
R9014	4720-153J+J	RMG 1/10W 15K 5% 0805
R9015	4720-752J+J	RMG 1/10W 7.5K 5% 0805
R9016	4720-392J+J	RMG 1/10W 3.9K 5% 0805
R9018	4720-102J+J	RMG 1/10W 1K 5% 0805
R902	4720-561J+J	RMG 1/10W 560R 5% 0805
R903, R904, R905	4720-821J+J	RMG 1/10W 820R 5% 0805
R907, R909, R910, R911, R912	4720-103J+J	RMG 1/10W 10K 5% 0805
R913	4720-302J+J	RMG 1/10W 3K 5% 0805
R914	4720-102J+J	RMG 1/10W 1K 5% 0805
R915	4720-471J+J	RMG 1/10W 470R 5% 0805
R916, R917	4720-102J+J	RMG 1/10W 1K 5% 0805
R918	4720-682J+J	RMG 1/10W 6.8K 5% 0805
R919	4720-332J+J	RMG 1/10W 3.3K 5% 0805
R921, R922, R923, R924, R925, R926, R928	4720-750J+J	RMG 1/10W 75R 5% 0805
R929	4720-000J+J	RMG 1/10W 0R 5% 0805
R930, R931, R932, R933, R934, R935	4720-750J+J	RMG 1/10W 75R 5% 0805
R937	4720-222J+J	RMG 1/10W 2.2K 5% 0805
R938	4720-000J+J	RMG 1/10W 0R 5% 0805
R939	4720-101J+J	RMG 1/10W 100R 5% 0805
R940	4720-330J+J	RMG 1/10W 33R 5% 0805
R941	4720-101J+J	RMG 1/10W 100R 5% 0805
R942, R943, R944	4720-750J+J	RMG 1/10W 75R 5% 0805
R945, R946, R947	4720-101J+J	RMG 1/10W 100R 5% 0805
R948, R949	4720-103J+J	RMG 1/10W 10K 5% 0805
R950	4720-301J+J	RMG 1/10W 300R 5% 0805
R951	4720-000J+J	RMG 1/10W 0R 5% 0805
R952	4720-102J+J	RMG 1/10W 1K 5% 0805
R953	4720-103J+J	RMG 1/10W 10K 5% 0805
R954	4720-301J+J	RMG 1/10W 300R 5% 0805
R955	4720-000J+J	RMG 1/10W 0R 5% 0805
R956	4720-102J+J	RMG 1/10W 1K 5% 0805
R957	4720-103J+J	RMG 1/10W 10K 5% 0805
R958	4720-471J+J	RMG 1/10W 470R 5% 0805
R959	4720-101J+J	RMG 1/10W 100R 5% 0805
R960, R961, R962, R963	4720-750J+J	RMG 1/10W 75R 5% 0805

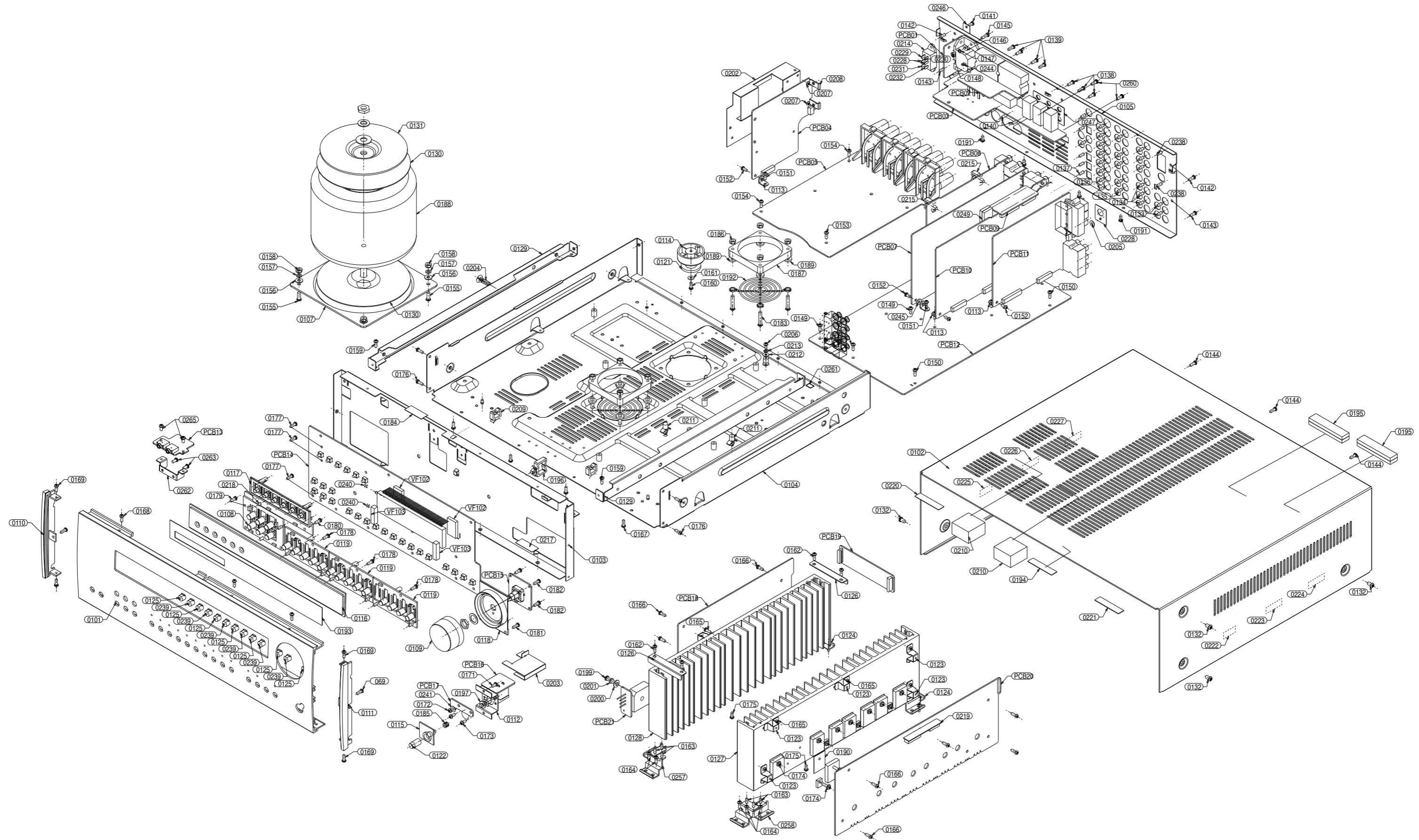
ARCAM *AVR350 SURROUND SOUND RECEIVER*

Reference No.	Part No.	Description
R965	4720-303J+J	RMG 1/10W 30K 5% 0805
R966	4720-182J+J	RMG 1/10W 1.8K 5% 0805
R967	4720-302J+J	RMG 1/10W 3K 5% 0805
R968	4720-331J+J	RMG 1/10W 330R 5% 0805
R969	4720-512J+J	RMG 1/10W 5.1K 5% 0805
R970	4720-822J+J	RMG 1/10W 8.2K 5% 0805
R971, R972, R973	4720-102J+J	RMG 1/10W 1K 5% 0805
R974	4720-113A+J	RMG 1/10W 11K 1% 0805
R975, R976, R977, R978	4720-102J+J	RMG 1/10W 1K 5% 0805
R979	4720-103J+J	RMG 1/10W 10K 5% 0805
R980	4720-473J+J	RMG 1/10W 47K 5% 0805
R981	4720-274J+J	RMG 1/10W 270K 5% 0805
R982	4720-273J+J	RMG 1/10W 27K 5% 0805
R983	4720-303J+J	RMG 1/10W 30K 5% 0805
R984	4720-104J+J	RMG 1/10W 100K 5% 0805
R985	4720-102J+J	RMG 1/10W 1K 5% 0805
R986	4720-221J+J	RMG 1/10W 220R 5% 0805
R987	4720-271J+J	RMG 1/10W 270R 5% 0805
R988	4720-102J+J	RMG 1/10W 1K 5% 0805
R989	4720-101J+J	RMG 1/10W 100R 5% 0805
R990	4720-511J+J	RMG 1/10W 510R 5% 0805
R991	4720-152J+J	RMG 1/10W 1.5K 5% 0805
R992	4720-821J+J	RMG 1/10W 820R 5% 0805
R993	4720-202J+J	RMG 1/10W 2K 5% 0805
R994	4711-100A+2	RMF 1/8W 10R 1% AT
IC		
U801	3131-3730+0	IC BA7625 2X5CH
U802	3132-1080+0	IC LM1881 VIDEO SYNC
U803, U804	3131-3730+0	IC BA7625 2X5CH
U805	3132-1070+0	IC TC90A69FG 3LINE DIGI
U806, U807	3131-7690+0	IC BA7623F VIDEO SOP8
U808, U809	3131-3730+0	IC BA7625 2X5CH
U810	3131-3750+0	IC LC74763-9012-E OSD
U811	3131-7690+0	IC BA7623F VIDEO SOP8
U812	3131-3730+0	IC BA7625 2X5CH
U813	3132-0990+0	IC TA1270BFG VIDEO
U814, U815, U816, U817	3131-7690+0	IC BA7623F VIDEO SOP8
U818	3131-3730+0	IC BA7625 2X5CH
U819, U820	3132-1010+0	IC TK15420MTLG DUAL
U821	3131-7690+0	IC BA7623F VIDEO SOP8
U822	3132-1000+0	IC TA8772ANG PAL/SECAMNT
U823	3132-1010+0	IC TK15420MTLG DUAL

ARCAM *AVR350 SURROUND SOUND RECEIVER*

Reference No.	Part No.	Description
SVR		
RV803	4756-2226+3-06	SVR 2.2K H3 7X7.6 R0615C
RV804, RV805	4756-1026+3-06	SVR 1K H3 7X7.6 RH0615C
MISCELLANEOUS		
J901	1808-0680+0	FERRITE BEAD INDUCTOR
L803	1808-0680+0	FERRITE BEAD INDUCTOR
VOL ASSY		
PC BOARD		
	PCB-AV35034+VOL	PCB ASSY VOL
PCB		
1030	1725-833A+0000	PCB KEY/TUN/PSU/PHONE
WAFER		
P1001B	2102-031R+004	WAFER 3P P2.5 RIGHT
MISCELLANEOUS		
V690	4750-6010+0	ROTART ENCODER

EXPLODED VIEW



EXPLODED VIEW PARTS LIST

Reference No.	Description	Part No.	Qty
0101	FRONT-PANEL BLACK	1403-624A+0	1
	FRONT-PANEL SILVER	1403-624B+0	1
0102	TOP COVER BLACK	1405-1001+0	1
	TOP COVER SILVER	1405-1002+0	1
0103	FRONT-BKT	1403-6261+0	1
0104	CHASSIS AVR350	1405-1121+0	1
0105	REAR-PANEL	1405-0931+0	1
0106	PHONE BKT	4135-4101+0	1
0107	TRANSFORMER BKT	4135-4051+0	1
0108	BASS AND TREBLE KNOB	2446-6601+0	1
0109	VOLUME KNOB	4134-2820+0	1
0110	F-ORNAMENT(L) BLACK	4134-2830+0	1
	F-ORNAMENT(L) SILVER	4134-2831+0	1
0111	F-ORNAMENT(R) BLACK	4134-2840+0	1
	F-ORNAMENT(R) SILVER	4134-2841+0	1
0112	POWER BKT	4135-4071+0	1
0113	L-BRACKET	4152-0451+0	5
0114	RUBBER FOOT	4152-4631+0	4
0115	POWER HOLDER	8901-4900+0	1
0116	LENS AVR300	4152-7523+0	1
0117	TUNER KNOB	4152-7531+0	1
0118	VOL-KNOB HOLDER	4152-7560+0	1
0119	FUNCTION KNOB	2446-6501+0	3
0120	Shrinkage ID=14mm	1660-0630+0	0.23m
0121	CUSHION FOOT	4152-4641+1	4
0122	POWER KNOB	4154-1502+0	1
0123	BRACKET PCB MOUNTING	4134-9071+0	9
0124	HEATSINK BKT2	4135-4091+0	4
0125	LED POST	3716-9906+0	13
0126	HEATSINK BKT1	4135-4081+0	2
0127	HEATSINK RIGHT	5400-3852+0	1
0128	HEATSINK LEFT	5400-3851+0	1
0129	LONG BRACKET	4135-4061+0	2
0130	TRANSFORMER PAD	4157-0611+0	2
0131	T'FORMER STEEL COVER	4135-0942-0	1
0132	SCM PAN M4*6 (B)	2900-4006+3200	6
0133	T3*8MM SELF TAPPING	2954-3008+3000	2
0134	T3*8MM SELF TAPPING	2954-3008+3000	6
0135	T3*8MM SELF TAPPING	2954-3008+3000	5

ARCAM *AVR350 SURROUND SOUND RECEIVER*

Reference No.	Description	Part No.	Qty
0136	T3*8MM SELF TAPPING	2954-3008+3000	8
0137	T3*8MM SELF TAPPING	2954-3008+3000	6
0138	T3*8MM SELF TAPPING	2954-3008+3000	5
0139	T3*8MM SELF TAPPING	2954-3008+3000	4
0140	SCREW M3.2*10 BLK	2954-3210+3000	10
0141	SCREW M3*10 BLK	2954-3010+3000	2
0142	T3*8MM SELF TAPPING	2954-3008+3000	2
0143	T3*8MM SELF TAPPING	2954-3008+3000	2
0144	T3*8MM SELF TAPPING	2954-3008+3000	3
0145	SCREW PH M3*10 BLK	2900-3010+3000	2
0146	METAL WASHER M3*0.5*8	2600-3005+0800	2
0147	SPRING WASHER	2607-3007+0550	2
0148	M3 NUT	2640-3022+0540	2
0149	M3*8 BINDING HEAD	2904-3008+0000	6
0150	T3*8MM TAPPING (YEL)	2954-3008+0000	2
0151	M3*8 BINDING HEAD	2904-3008+0000	5
0152	3*6MM B-TITE (YEL)	2954-3006+0000	5
0153	M3*8 BINDING HEAD	2904-3008+0000	
0154	T3*8MM TAPPING (YEL)	2954-3008+0000	2
0155	SCREW M4*10 (BLK)	2904-4010+3000	4
0156	FLAT WASHER M4	2600-4008+0973	4
0157	SPRING WASHER M4	2607-4010+0703	4
0158	M4 NUT	2640-4030+0703	4
0159	T3*8MM SELF TAPPING	2954-3008+3000	2
0160	T3*8MM SELF TAPPING	2954-3008+3000	4
0161	METAL WASHER	2842-3367+0	4
0162	T3*8MM SELF TAPPING	2954-3008+3000	4
0163	T3*8MM SELF TAPPING	2954-3008+3000	12
0164	3*6MM B-TITE (BLK)	2954-3006+3000	11
0165	T3*8MM SELF TAPPING	2954-3008+3000	9
0166	T3*8MM SELF TAPPING	2954-3008+3000	9
0167	T3*8MM SELF TAPPING	2954-3008+3000	4
0168	T3*8MM SELF TAPPING	2954-3008+3000	3
0169	T3*8MM SELF TAPPING	2954-3008+3000	6
0170	T3*6MM SELF TAPPING	2954-3006+3000	2
0171	T3*8MM SELF TAPPING	2954-3006+3000	2
0172	3*6MM B-TITE (BLK)	2954-3006+3000	1
0173	SCREW M3*6 (BLK)	2904-3006+3000	2
0174	SCREW M3*12 W/S&F	2900-3012+3030	21
0175	3*6MM B-TITE (BLK)	2954-3006+3000	2
0176	3*6MM B-TITE (BLK)	2954-3006+3000	4

ARCAM *AVR350 SURROUND SOUND RECEIVER*

Reference No.	Description	Part No.	Qty
0177	T3*8MM SELF TAPPING	2954-3008+3000	12
0178	T3*8MM SELF TAPPING	2954-3008+3000	9
0179	T3*8MM SELF TAPPING	2954-3008+3000	3
0180	T3*8MM SELF TAPPING	2954-3008+3000	1
0181	T3*8MM SELF TAPPING	2954-3008+3000	2
0182	T3*8MM SELF TAPPING	2954-3008+3000	4
0183	SCREW M4*19 BLK	2904-4019+3000	8
0184	HIGH TAPE	1635-0110+0	0.03M
0185	SHRINKAGE TUBE	1660-0620+0	0.009M
0186	NUT M4 W/EXTERNAL	4135-0811+0	8
0187	DC FAN 60*60*10 12V	8913-4008+0	2
0188	T'FORMER 120/230V	1806-3689+1	1
0189	CUSHION EPDM TH1.5MM	4157-0521+0	8
0190	SILICON SHEET(26*20)	3100-3211+0	14
0191	3*6MM B-TITE(BLK)	2954-3006+3000	4
0192	FAN GUARD 60*60	4135-4221+0	2
0193	STATIC PROTECT FILM	3100-5861+0	1
0194	CUSHION 130*10*1MM	4151-9411+0	0.33
0195	FORM 60*13*5MM	4153-9291+0	4
0196	WS CLAMP	6360-9640+0	1
0197	FLAT WASHER M4X0.8X9.7	2600-4008+0973	1
0199	SCREW M4*19 BLK	2904-4019+3000	1
0200	FLAT WASHER M4	2600-4008+0973	1
0201	SPRING WASHER M4	2607-4010+0703	1
0202	P-BKT TO PCB-PSU	4154-7521+0	1
0203	P-BKT TO PCB-SW	4154-7531+0	1
0204	PCB SUPPORT A=16MM	4154-7501+0	1
0205	fibre washer for AL050C/51C	2601-3008+0801	1
0206	SCREW M3*8	2904-3008+0000	1
0207	3*6MM B-TITE(BLK)	2954-3006+3000	2
0208	SWITCH BKT	4135-4331+0	1
0209	WC CLAMP	6360-9690+0	3
0210	FORM 30*30*18	4157-0701+0	2
0211	PCB SUPPORT A=9.4	4155-0041+0	2
0212	I/T WASHER M3X0.5X6.4	2606-3005+0642	2
0213	SPRING WASHER	2607-3007+0550	1
0214	SWITCH	5200-3627+0	1
0215	WS CLAMP	6360-9690+0	2
0216	Shrinkage ID=18MM	1660-1160+0	0.23M
0217	High temp tape	1635-0110+0	0.03M
0218	B-Tite 3*10 black	2954-3010+3000	1

Reference No.	Description	Part No.	Qty
0219	High temp tape	1635-0110+0	0.06M
0220	FORM 60*13*5MM	4151-9411+0	0.33
0221	FORM 60*13*5MM	4151-9411+0	0.33
0222	FORM 60*13*5MM	4151-9411+0	0.16
0223	FORM 60*13*5MM	4151-9411+0	0.16
0224	FORM 60*13*5MM	4151-9411+0	0.16
0225	FORM 60*13*5MM	4151-9411+0	0.16
0226	FORM 60*13*5MM	4151-9411+0	0.16
0227	FORM 60*13*5MM	4151-9411+0	0.16
0228	SHRINKAGE TUBE ID=8	1660-0470+0	0.015M
0229	SHRINKAGE TUBE ID=5	1660-0620+0	0.02M
0230	SHRINKAGE TUBE ID=5	1660-0620+0	0.02M
0231	SHRINKAGE TUBE ID=5	1660-0620+0	0.02M
0232	SHRINKAGE TUBE ID=5	1660-0620+0	0.02M
0233	SHRINKAGE TUBE ID=1	1660-0620+0	0.016M
0234	SHRINKAGE TUBE ID=1	1660-0620+0	0.022M
0235	SHRINKAGE TUBE ID=1	1660-0620+0	0.016M
0236	SHRINKAGE TUBE ID=1	1660-0620+0	0.022M
0238	SCREW M3*10	2954-3010+3000	2
0239	LED-LENS BLACK	3716-9911+0	6
0240	FIBRE WASHER M3	2601-3008+0801	2
0241	FIBRE WASHER M3	2601-3008+0801	1
0242	CONN. WIRE	7012-6765+0	1
0243	CONN. WIRE	7012-6766+0	1
0244	SHRINKAGE TUBE ID=5	1660-0620+0	0.02M
0245	Metal washer	2842-3367+0	1
0246	FOR POWER SWITCH	4155-0131+0	1
0247	FOR PCB-RS232	4155-0121+0	1
0248	FOR PCB-TUNER	4155-0111+0	1
0249	FORM 25*15*4	4157-0681+0	2
VF102	FORM 25*15*4	4157-0681+0	2
VF103	FORM 25*6*3	4157-0691+0	2
0257	BRACKET-HEATSINK-L	4135-6221+0	1
0258	BRACKET-HEATSINK-R	4135-6231+0	1
0260	SCREW M3X6 BINDI	2904-3006+3000	2
0261	WIRE CLIP	4135-4011+0	1
0262	BRACKET-PHONE AV	4135-5841+0	1
0263	SCREW M3X6 BINDI	2954-3006+3000	2
0264	WASHER FIBRE M3	2601-3004+0801	1
0265	SCREW M3X6 BINDI	2904-3006+0000	2

ARCAM *AVR350 SURROUND SOUND RECEIVER*

Reference No.	Description	Part No.	Qty
PCB01	PCB-AV35034+PWR	1725-695A+0001	1
PCB02	PCB-AV35034+COM-VIDEO	1725-695A+0001	1
PCB03	PCB-AV35034+RS232	1725-693D+0000	1
PCB04	PCB-AV35014+PSU	1725-833A+0000	1
PCB05	PCB-AV35034+PMAIN	1725-697A+0001	1
PCB06	PCB-AV35034+DSP	1725-693D+0000	1
PCB07	PCB-AV35034+VIDEO	1725-696A+0002	1
PCB08	PCB-AV35034+AUDIO	1725-693D+0000	1
PCB09	PCB-AV35034+CONNECTOR	1725-695A+0001	1
PCB10	PCB-AV35034+MUTI	1725-696A+0002	1
PCB11	PCB-AV35014+TUNE	1725-833A+0000	1
PCB12	PCB-AV35034+MAIN	1725-834A+0000	1
PCB13	PCB-AV35034+PHO	1725-833A+0000	1
PCB14	PCB-AV35034+KEY	1725-833A+0000	1
PCB15	PCB-AV35034+VOL	1725-833A+0000	1
PCB16	PCB-AV35034+SW	1725-695A+0001	1
PCB17	PCB-AV35034+LED	1725-695A+0001	1
PCB18	PCB-AV35034+AMP2	1725-695A+0001	1
PCB19	PCB-AV35034+CONN2	1725-695A+0001	1
PCB20	PCB-AV35034+AMP1	1725-695A+0001	1
PCB21	PCB-AV35034+RECT	1725-695A+0001	1

ARCAM

PEMBROKE AVENUE, WATERBEACH, CAMBRIDGE CB5 9PB, ENGLAND
www.arcam.co.uk